

**Job Name: 25-2511B - Blue Sky Sec 1 (Storm)**

**Job Location: Clarksville, TN**

**Contractor: Byard Construction, LLC**

PC: A. Chambers

TECH: J. Horsley - F

Plant: 100



Structure ID: E

Spec: Storm

Type: BX 6inW, 6inF

Size: 28" x 28"

Rim: 527.95'

Invert: 524.12'

Rim to Invert: 3.83'

Sump: 0"

Floor (Top): 524.12'

Floor Height: 6"

Floor (Bot): 523.62'

Overall Height: 4.25'

Slack: 0.96"

**Structure Notes:**

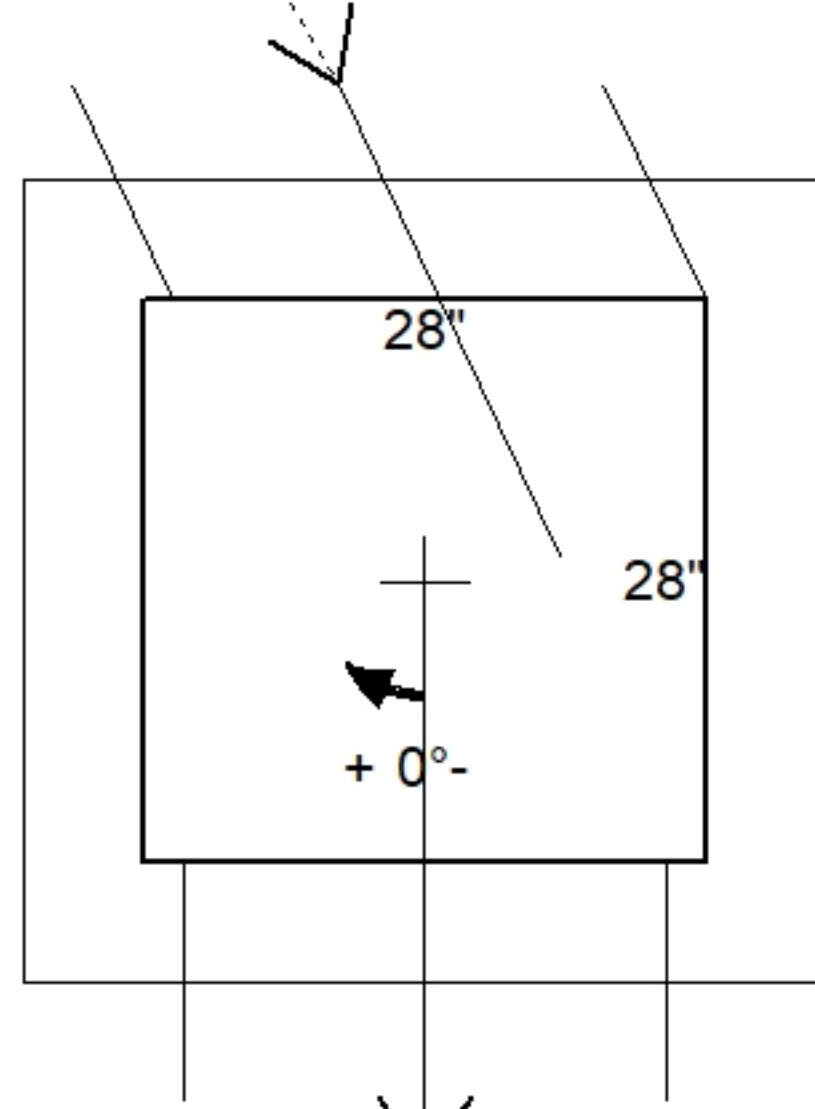
1. PER ASTM C913 SPECIFICATIONS.
2. CONCRETE = 4,000 PSI AT 28 DAYS.
3. NO STEPS AND NO INVERT CHANNEL.
4. CASTING BY I-CAST (JBS 3080-V SET (F/G/H)).

REINFORCING PER ASTM A615 (GRADE 60).  
 - WALLS (As .31) #5 BARS AT 12" C.C.E.W.  
 - FLOOR (As .31) #5 BARS AT 12" C.C.E.W.

**STRUCTURE SUMMARY:**

P2) 28" x 28" - CASTING HEIGHT - 6"	0 lb
P1) 28" x 28" - BOX BASE 6inW, 6inF, Variable Ht F/n - 39"	2997 lb
1) Conseal CS-102 1.00" (Single)	0 lb
1) CASTING - JBS 3080-V SET (F/G/H)	500 lb
2) Hole - 24	0 lb
<b>Structure Total:</b>	<b>3497 lb</b>

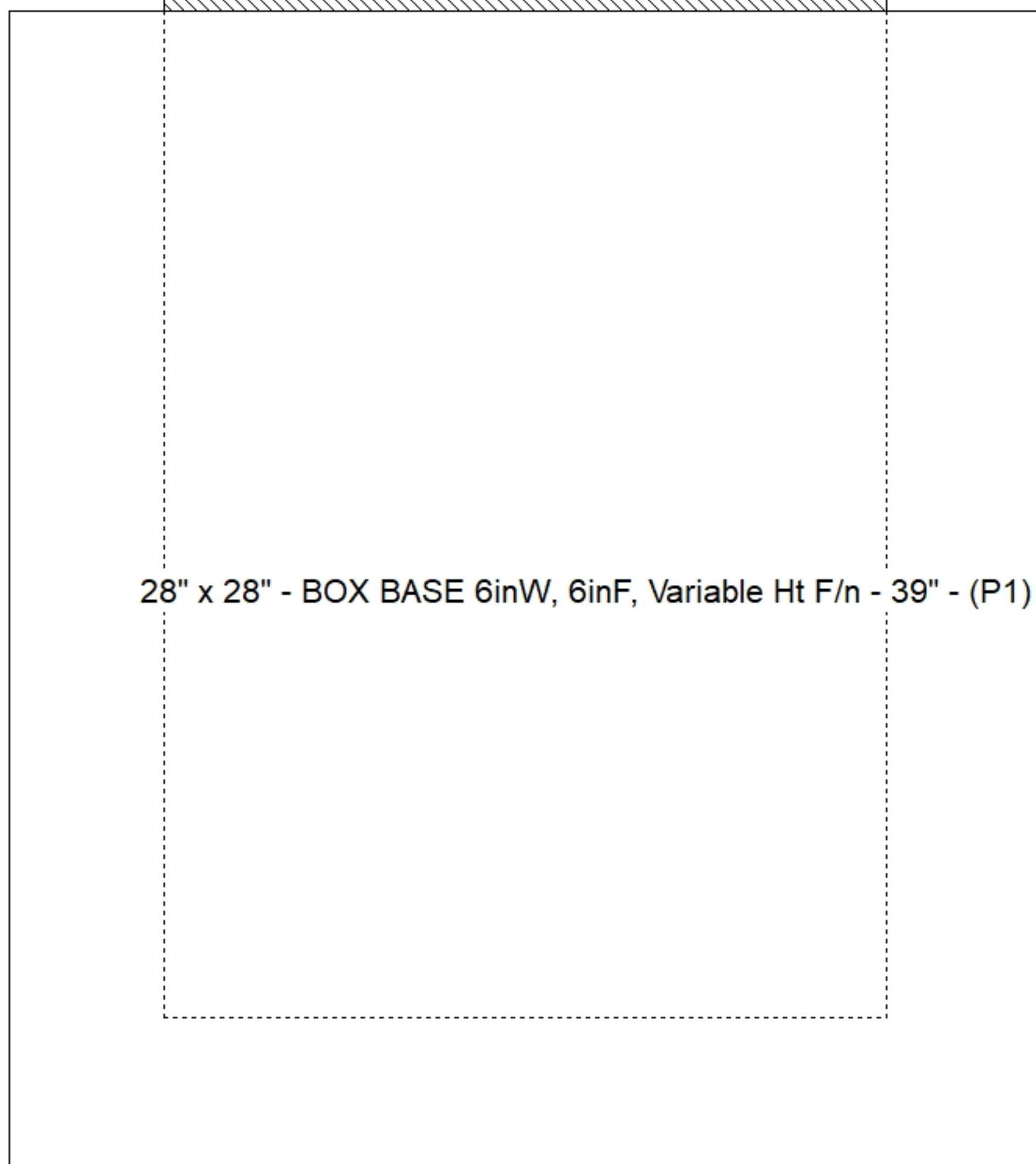
Invert: 2  
Degree: 155°



Invert: 1  
Degree: 0°

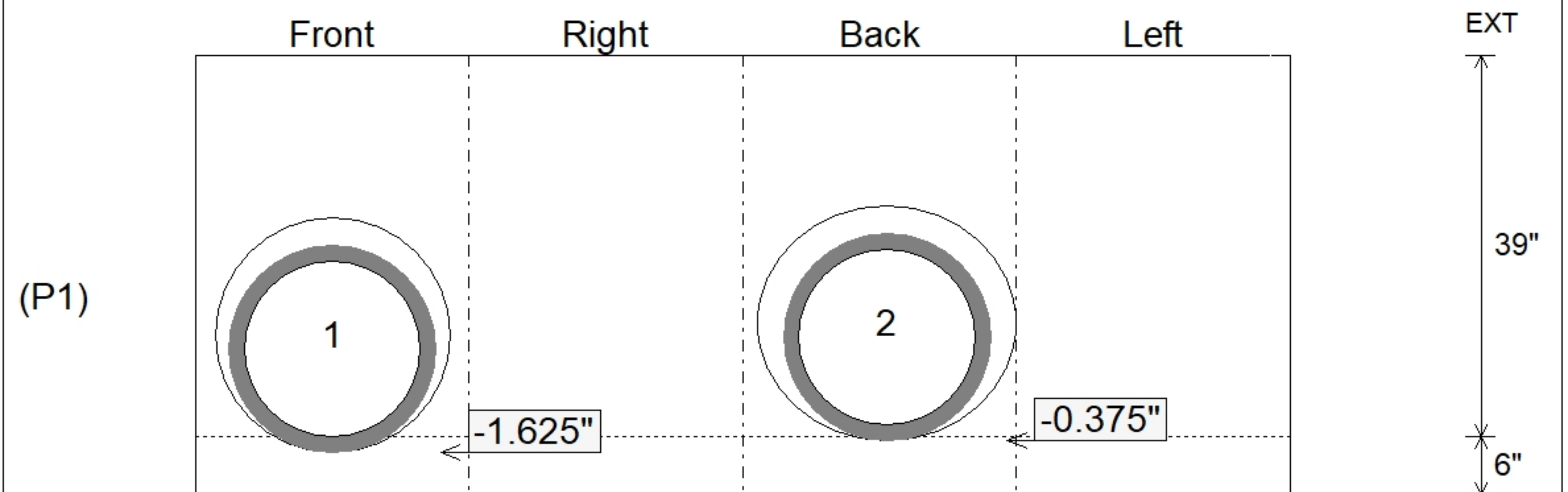
Position	Elev	Angle	Pipe	Pipe OD	Hole	Connector	Up (L)	Ref
Rim	527.95'							
Reducer								
Invert 1	524.12'	0°	18" HDPE	21.2"	24"	Hole 24	-1.625"	P1
Invert 2	524.22'	155°	18" HDPE	21.2"	24"	Hole 24	-0.375"	P1
Invert 3								
Invert 4								
Invert 5								
Invert 6								
Invert 7								
Invert 8								

28" x 28" - CASTING HEIGHT - 6" - (P2)



28" x 28" - BOX BASE 6inW, 6inF, Variable Ht F/n - 39" - (P1)

**Cast (Int. Dim.) - Interior Dimensions**



Submittal Drawing  
11/17/2025 4:59:16 PM

SUBMITTAL  
APPROVED BY: