

Job Name: 25-2511B - Blue Sky Sec 1 (Storm)	Plant: 100	Tech: J. Horsley - F
Job Location: Clarksville, TN	11/17/2025 5:01:35 PM	PC: A. Chambers
Contractor: Byard Construction, LLC		

**Structure ID: D**

**P1 BX28280606VH**

**BOX BASE 6inW, 6inF, Variable Ht F/n**

P2) 28" x 28" - CASTING HEIGHT - 6"	0 lb
P1) 28" x 28" - BOX BASE 6inW, 6inF, Variable Ht F/n - 36"	3028 lb
1) Conseal CS-102 1.00" (Single)	0 lb
1) CASTING - JBS 3080-V SET (F/G/H)	500 lb
1) Hole - 24	0 lb
<b>Structure Total:</b>	<b>3528 lb</b>

**Structure Notes:**  
 1. PER ASTM C913 SPECIFICATIONS.  
 2. CONCRETE = 4,000 PSI AT 28 DAYS.  
 3. NO STEPS AND NO INVERT CHANNEL.  
 4. CASTING BY I-CAST (JBS 3080-V SET (F/G/H)).

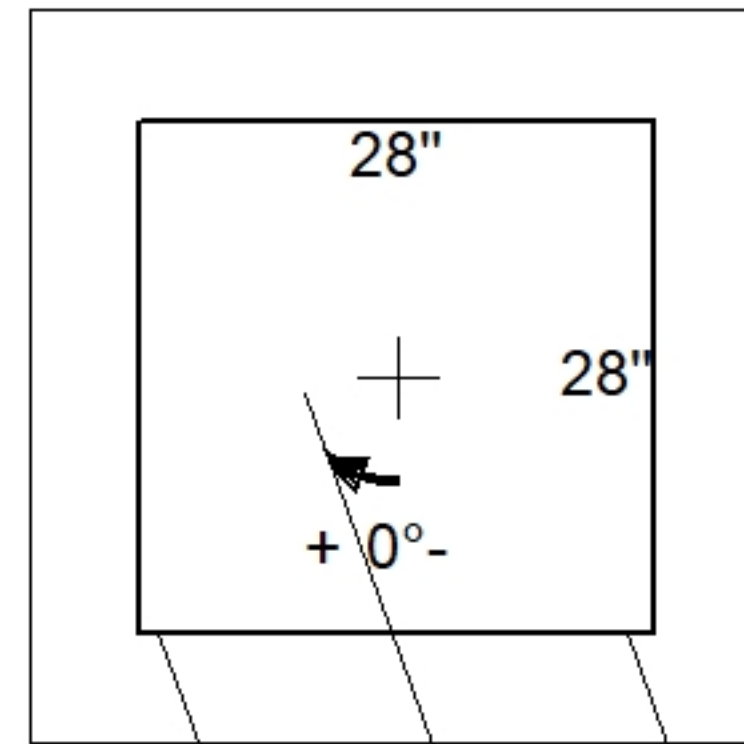
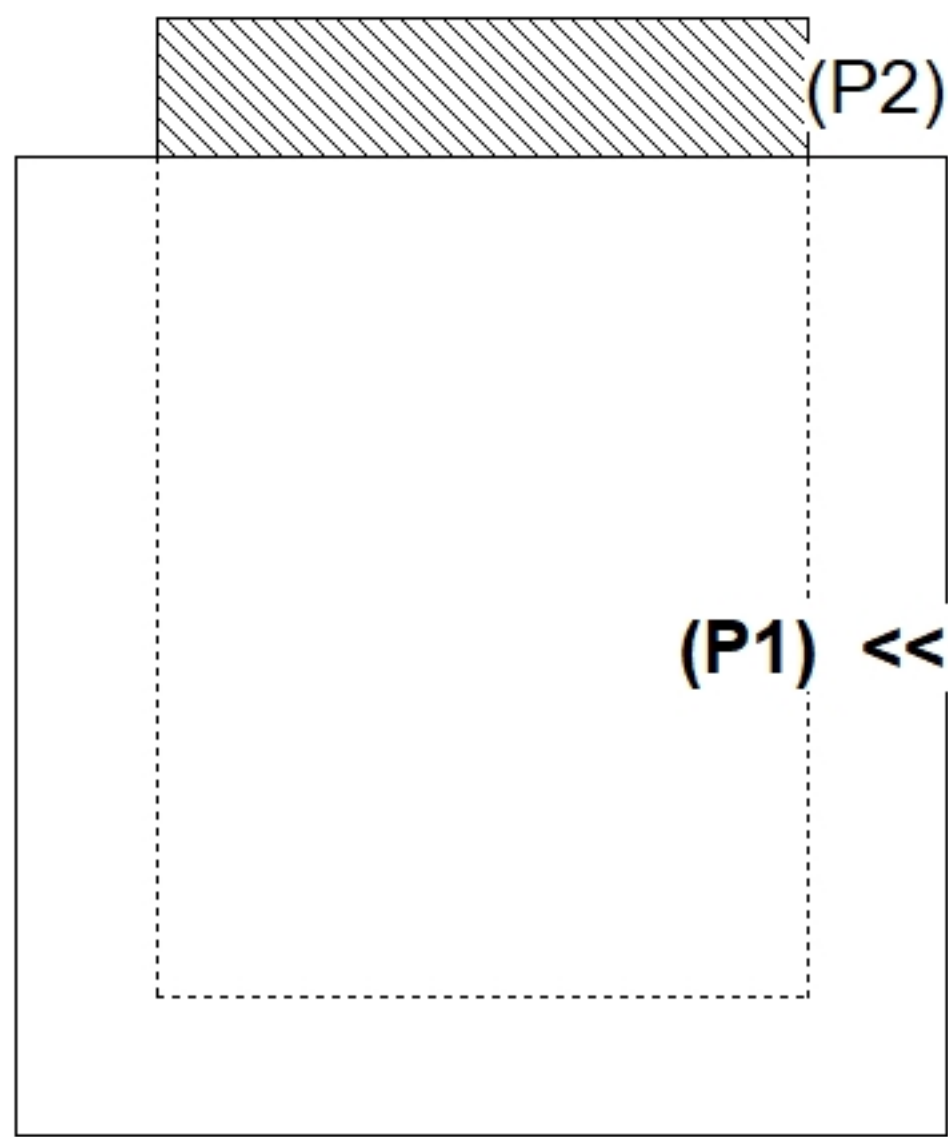
REINFORCING PER ASTM A615 (GRADE 60).  
 - WALLS (As .31) #5 BARS AT 12" C.C.E.W.  
 - FLOOR (As .31) #5 BARS AT 12" C.C.E.W.

Rim: 528.02' Rim to Invert: 3.5' Slack: 0" Sump: 0" Step Position:

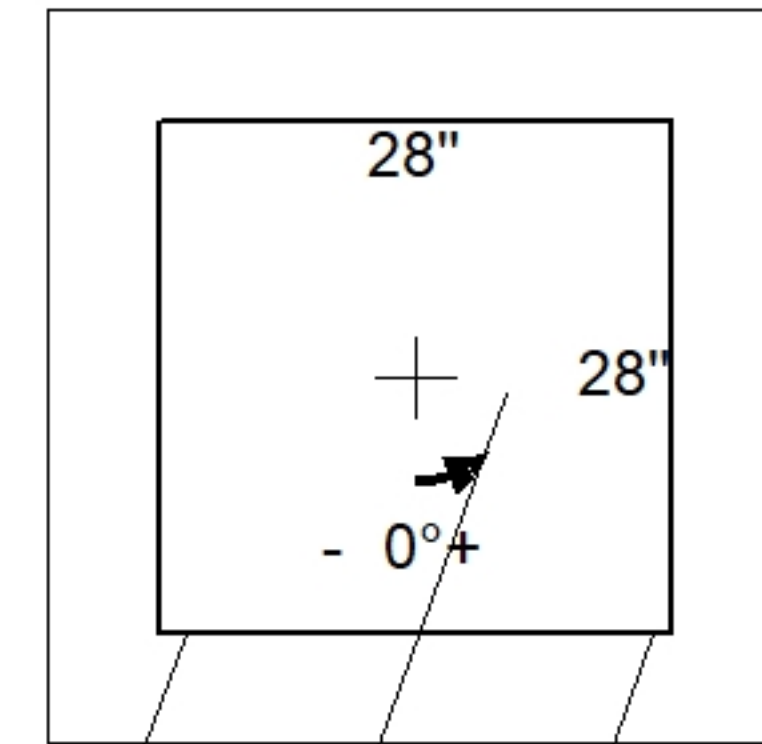
Position	Elev	Angle	Ext. (cw)	Pipe	Pipe OD	Connector	Hole	Horz Size	Up ( )	Offset
Invert 1	524.52'	340°	18"	18" HDPE	21.2"	Hole 24	24"	25.54"	-1.625"	5"
Invert 2										
Invert 3										
Invert 4										
Invert 5										
Invert 6										
Invert 7										
Invert 8										

RIGHT-SIDE UP VIEW (int. dimensions)

UPSIDE-DOWN VIEW (int. dimensions)

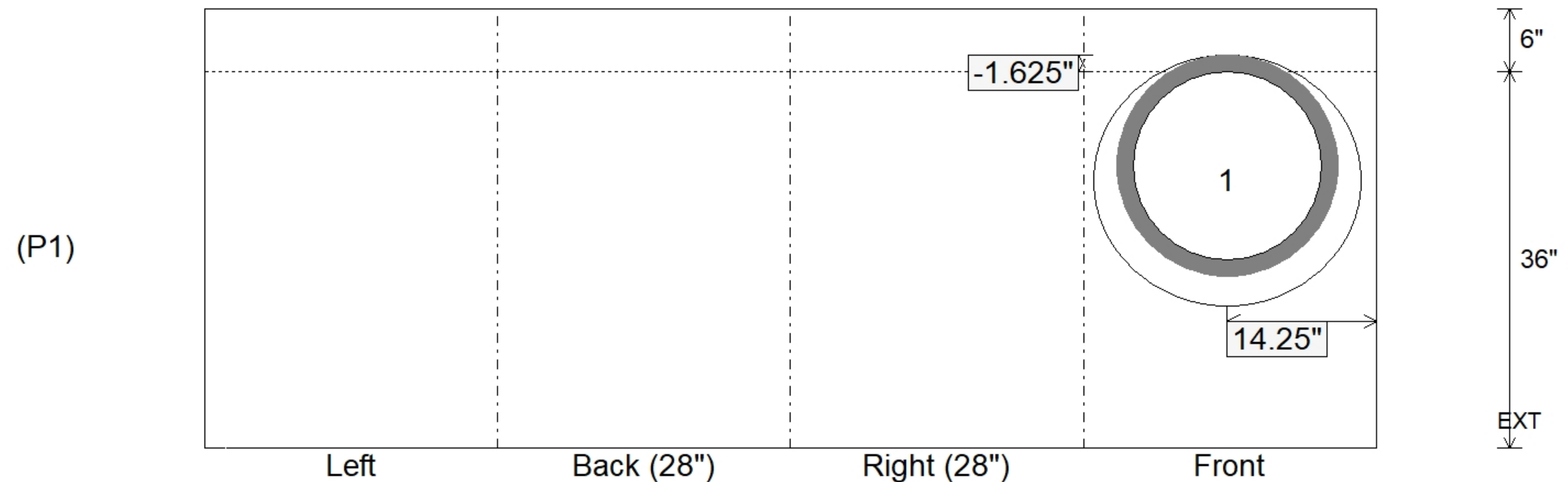


Invert: 1  
 Degree: 340°  
 Horz: 14.25"  
 Hole: 24"  
 Up( ): -1.625"



Invert: 1  
 Degree: 340°  
 Horz: 14.25"  
 Hole: 24"  
 Up( ): -1.625"

INSIDE WALL DIMENSIONS



Coating (Int):	Seam Up: Flat	Wall Thickness: 6"	Height (Int): 36"	Weight (Net): 3028 lb
Coating (Ext):	Seam Dn: n/a	Floor Height: 6"	Height (Ext): 42"	Volume (Net): 0.77cu.yd