

Structure ID: C

P1 HWA18F

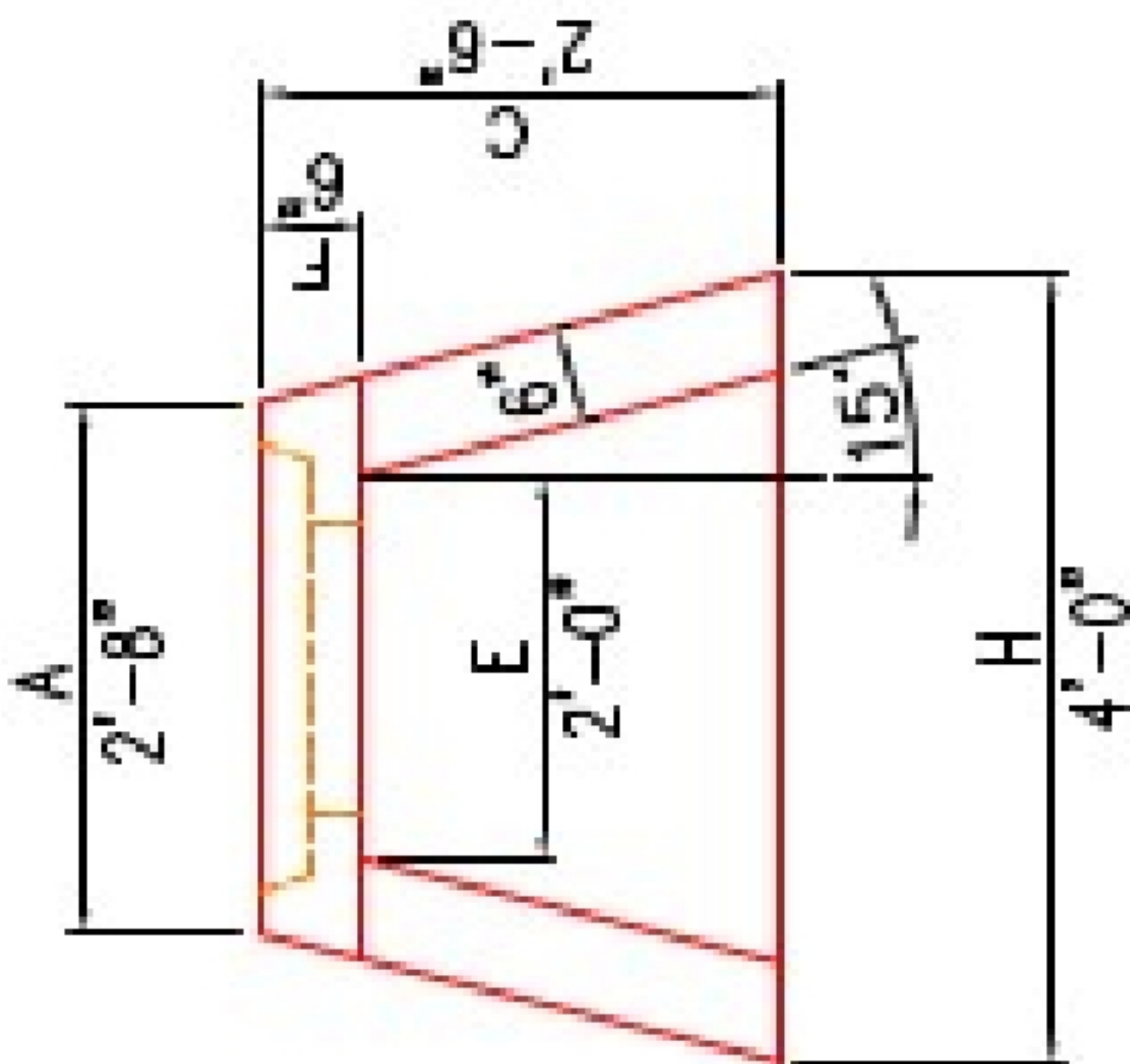
18" - HW AW w/FLAT BOTTOM F/F

DIMENSIONS & QUANTITIES

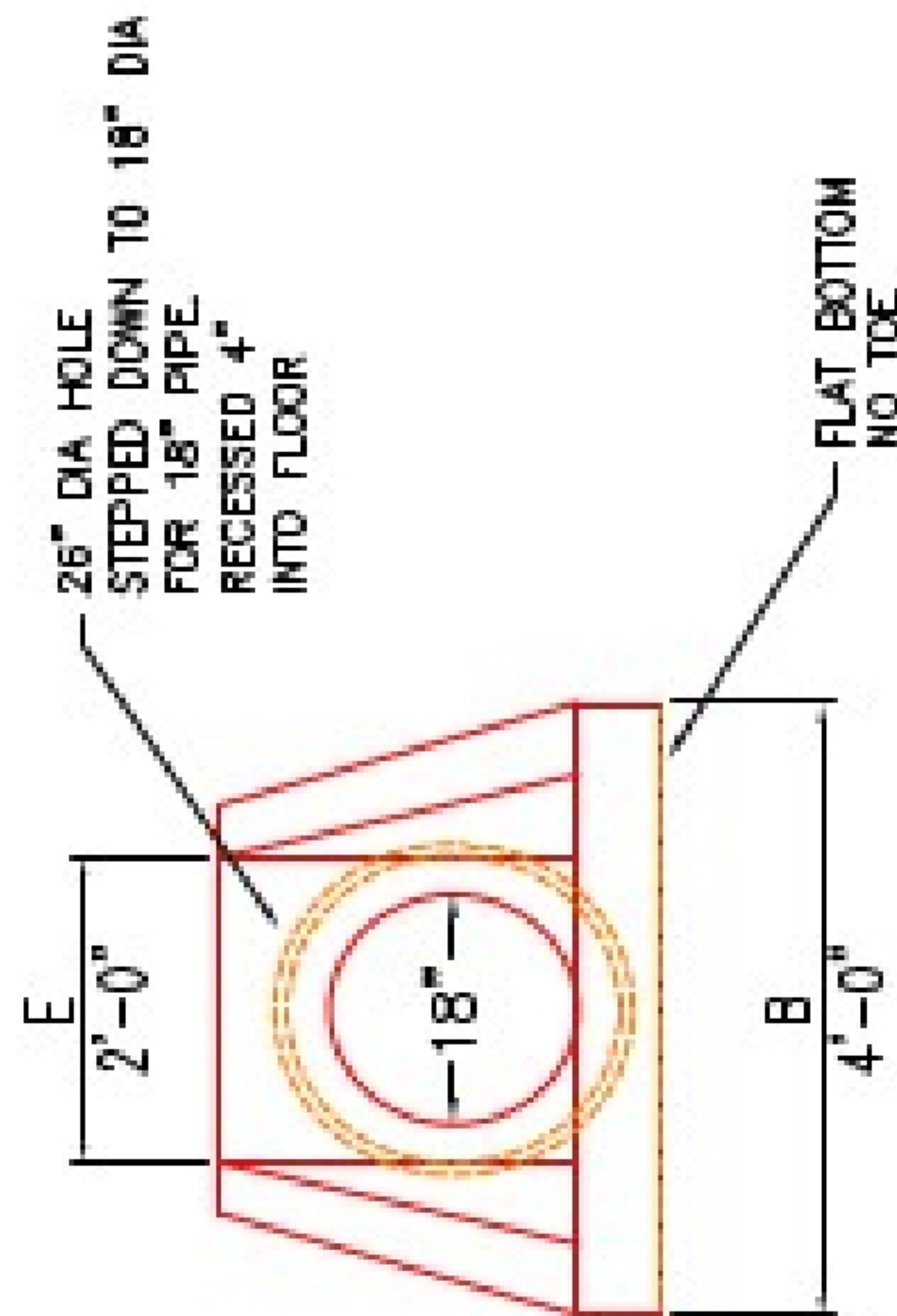
TYPE	PIPE Ø	A	B	C	D	E	F	G	H	WEIGHT W/TOE	WEIGHT
AW	18"	2'-8"	2'-8"	2'-6"	2'-2"	2'-0"	6"	0"	4'-0"	1,830 LBS.	1,380 LBS.

NOTES:

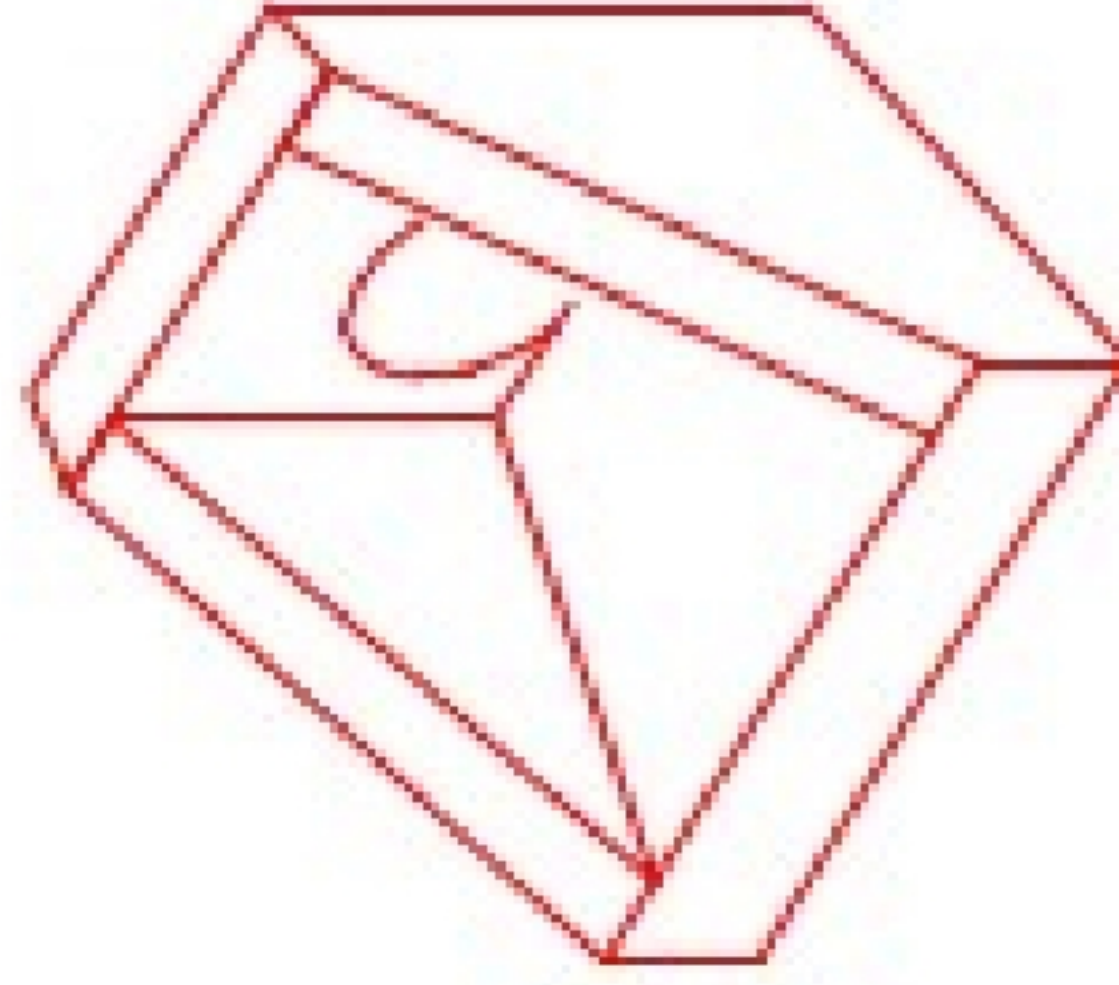
1. CONCRETE: 4500 PSI AT 28 DAYS MINIMUM COMPRESSIVE STRENGTH.
2. REINFORCING: #4 BAR @ 12" C/C E.W.-GRADE 60, (WITH 2" CONCRETE COVER MINIMUM)
3. REINFORCING BARS TO BE TACK WELDED OR TIED.
4. PIPE AND LIFTING ANCHOR POCKETS TO BE GROUTED WITH NON-SHRINK GROUT AFTER SETTING.
5. PREFORMED STEPPED HOLE SIZED AS PER O.D. OF PIPE + 3" - 4".
6. OPTIONAL FOOTING (TOE) AVAILABLE FOR ALL SIZES.



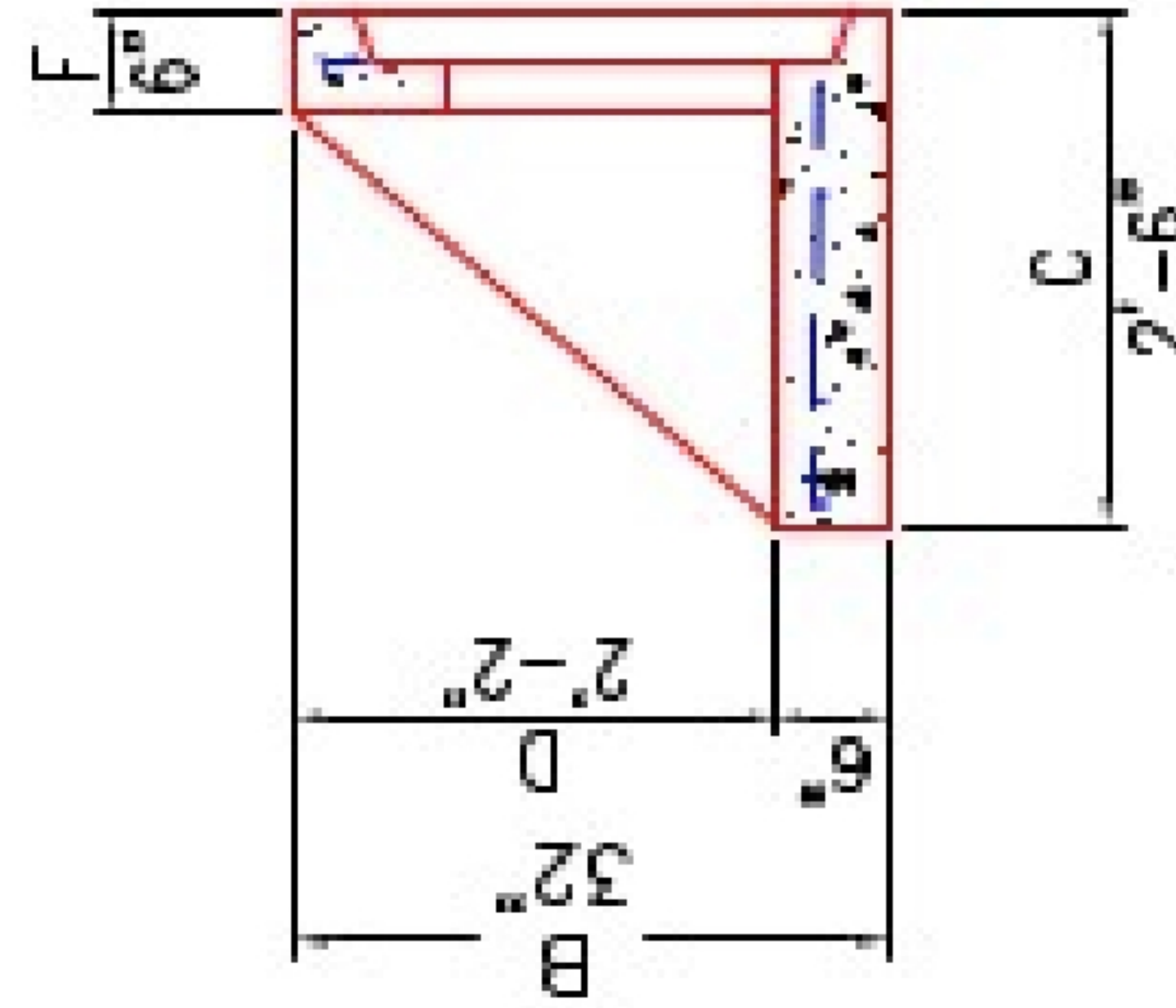
PLAN VIEW



FRONT ELEVATION



ISOMETRIC VIEW



SECTION A-A

PRODUCTION WORK ORDER

QUALITY CONTROL CHECKLIST

- ALL DIMENSIONS CORRECT.
- LIFTERS INSTALLED.
- STEPPED HF CORRECT SIZE.
- REINFORCING CORRECT.
- CLEARANCE ON REINFORCING CORRECT.
- EDGES CHAMFERED.
- ALL PATCHWORK ACCEPTABLE.



DESCRIPTION: 18in AW WINGED HEADWALL, FLAT

CUSTOMER:	STOCK
PROJECT:	STOCK
STRUCTURE ID.:	T.B.D.
SALES ORDER NO.:	T.B.D.
PC:	B. KELLY
DRAWING:	J. HORSLEY
DATE:	10/30/23
SCALE:	NTS
PG.	1 of 1