

Job Name: 25-2511B - Blue Sky Sec 1 (Storm)
Job Location: Clarksville, TN
Contractor: Byard Construction, LLC

PC: A. Chambers
 TECH: J. Horsley - F
 Plant: 100



Structure ID: B
 Spec: Storm
 Type: BX 6inW, 6inF
 Size: 28" x 108"

Rim: 519.01'
 Invert: 515.27'
 Rim to Invert: 3.74'

Sump: 0"
 Floor (Top): 515.27'
 Floor Height: 6"

Floor (Bot): 514.77'
 Overall Height: 4.167'
 Slack: 0.88"

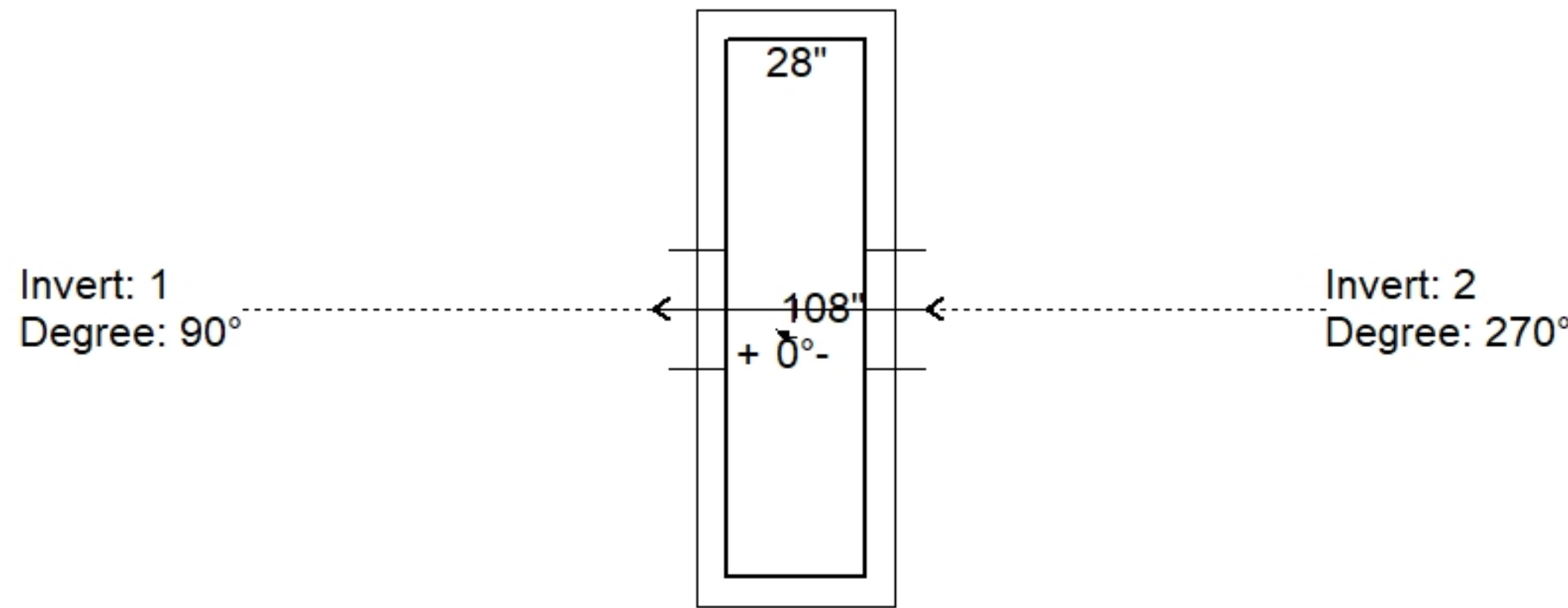
Structure Notes:

1. PER ASTM C913 SPECIFICATIONS.
2. CONCRETE = 4,000 PSI AT 28 DAYS.
3. NO STEPS AND NO INVERT CHANNEL.
4. CASTING BY I-CAST (3 ea. - 3080-V SET F/G/H).

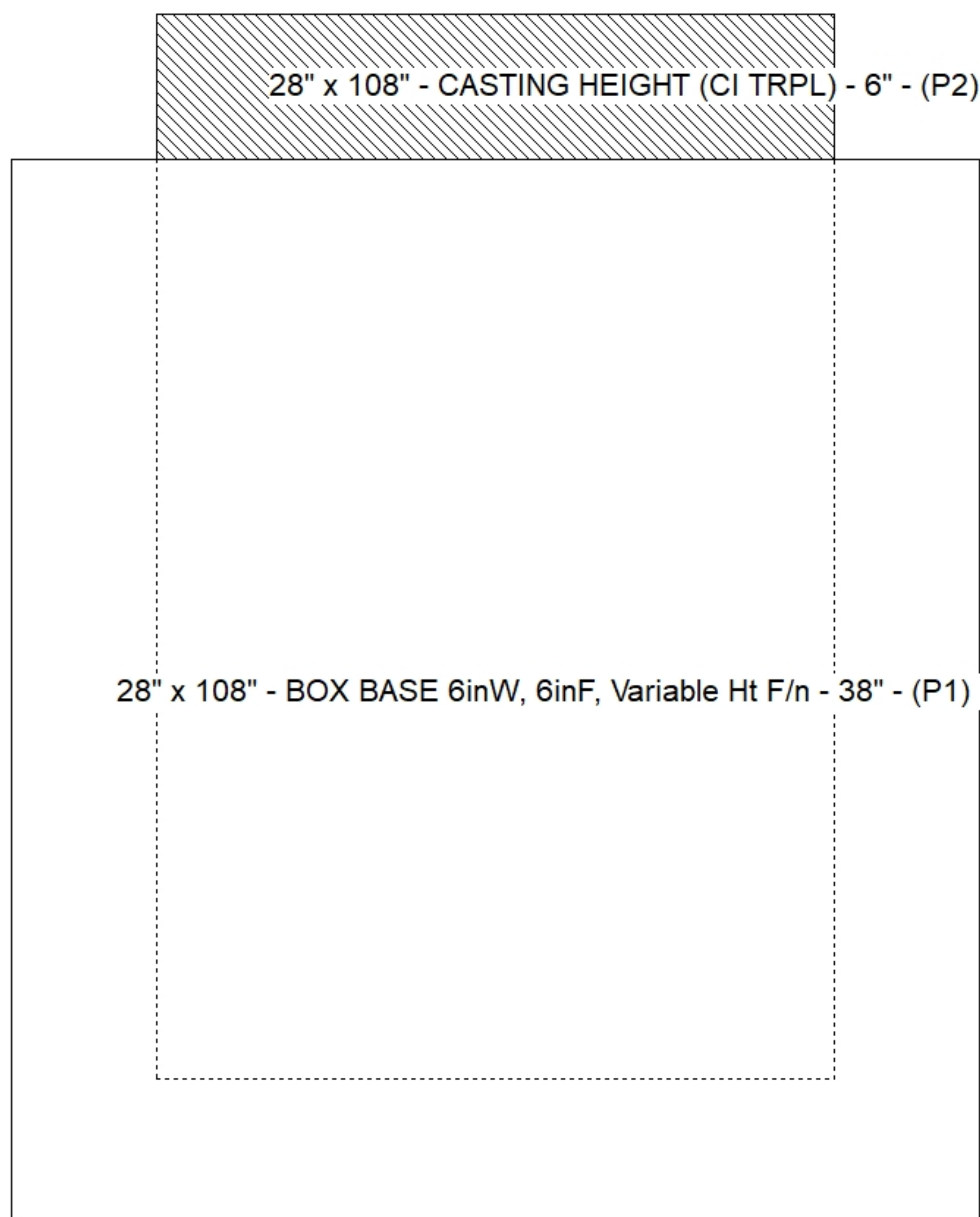
REINFORCING PER ASTM A615 (GRADE 60).
 - WALLS (As .12) #5 BARS AT 12" C.C.E.W.
 - FLOOR (As .12) #5 BARS AT 12" C.C.E.W.

STRUCTURE SUMMARY:

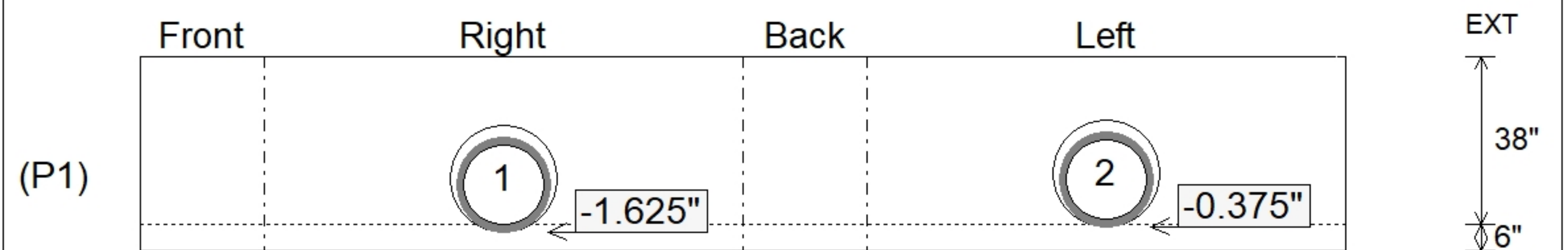
P2) 28" x 108" - CASTING HEIGHT (CI TRPL) - 6"	0 lb
P1) 28" x 108" - BOX BASE 6inW, 6inF, Variable Ht F/n - 38"	7624 lb
1) Conseal CS-102 1.00" (Single)	0 lb
3) CASTING - JBS 3080-V SET (F/G/H)	1500 lb
2) Hole - 24	0 lb
Structure Total:	9124 lb



Position	Elev	Angle	Pipe	Pipe OD	Hole	Connector	Up ()	Ref
Rim	519.01'							
Reducer								
Invert 1	515.27'	90°	18" HDPE	21.2"	24"	Hole 24	-1.625"	P1
Invert 2	515.37'	270°	18" HDPE	21.2"	24"	Hole 24	-0.375"	P1
Invert 3								
Invert 4								
Invert 5								
Invert 6								
Invert 7								
Invert 8								



Cast (Int. Dim.) - Interior Dimensions



Submittal Drawing
 11/19/2025 3:07:57 PM

SUBMITTAL
 APPROVED BY: