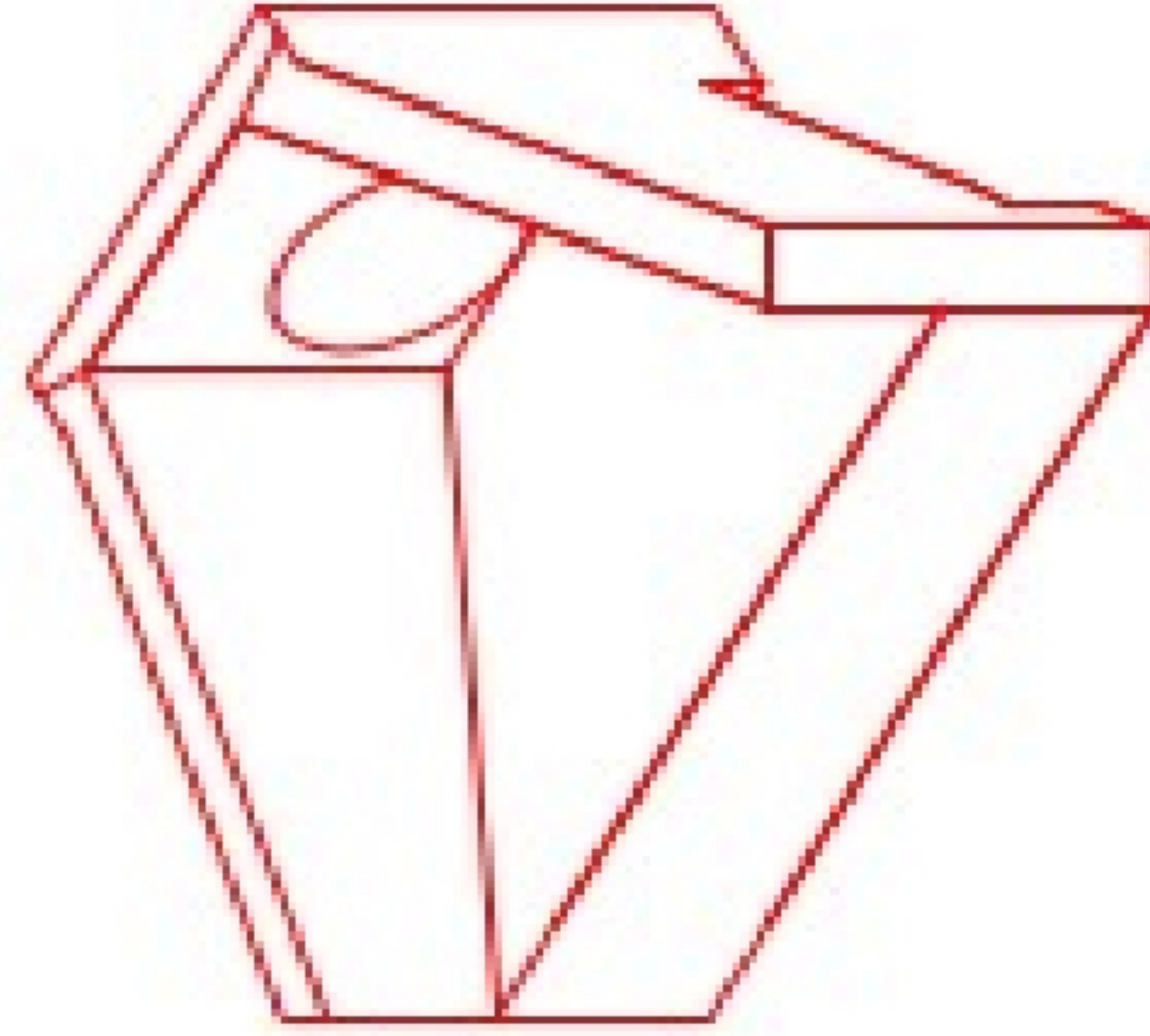


Structure ID: AJ

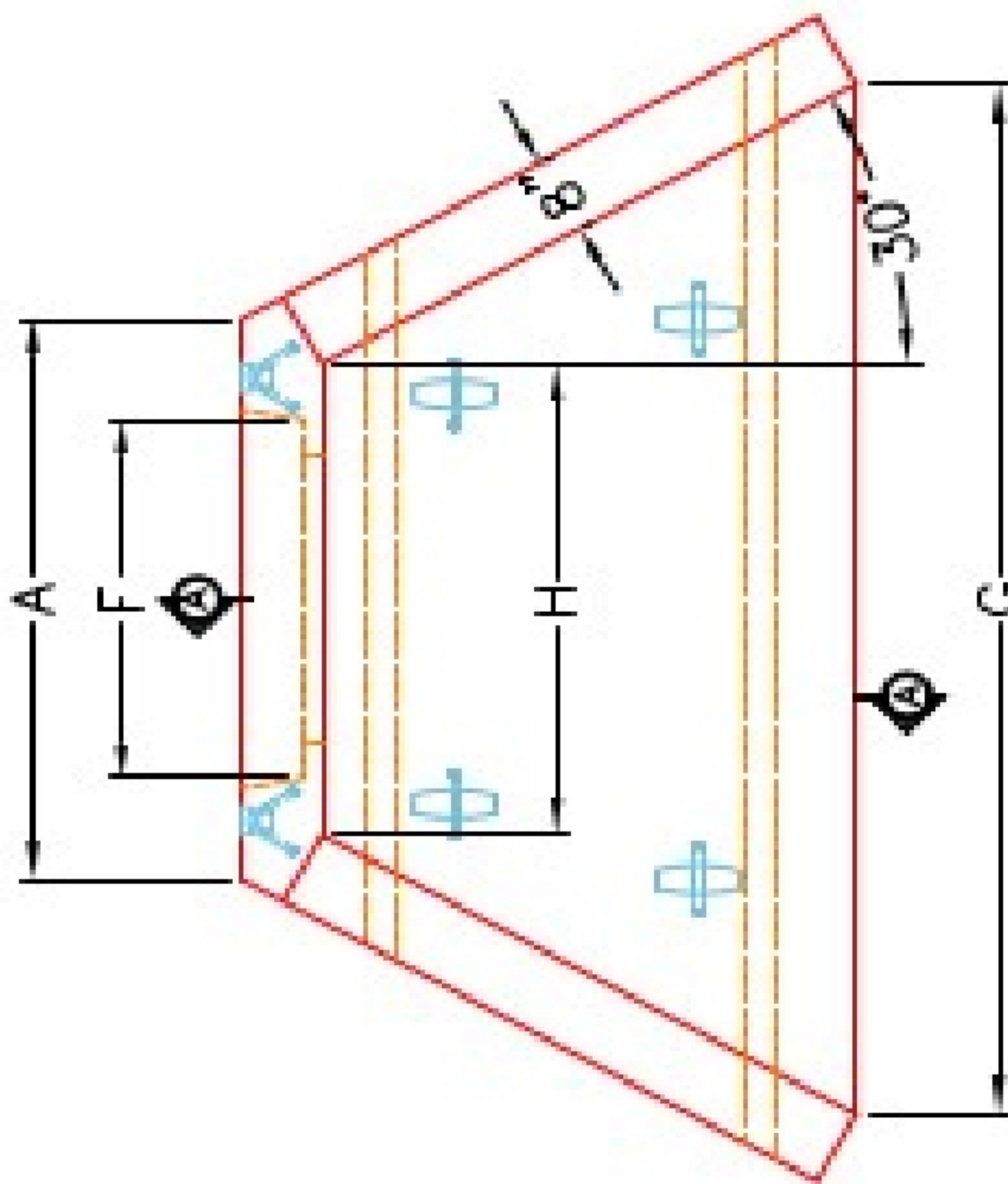
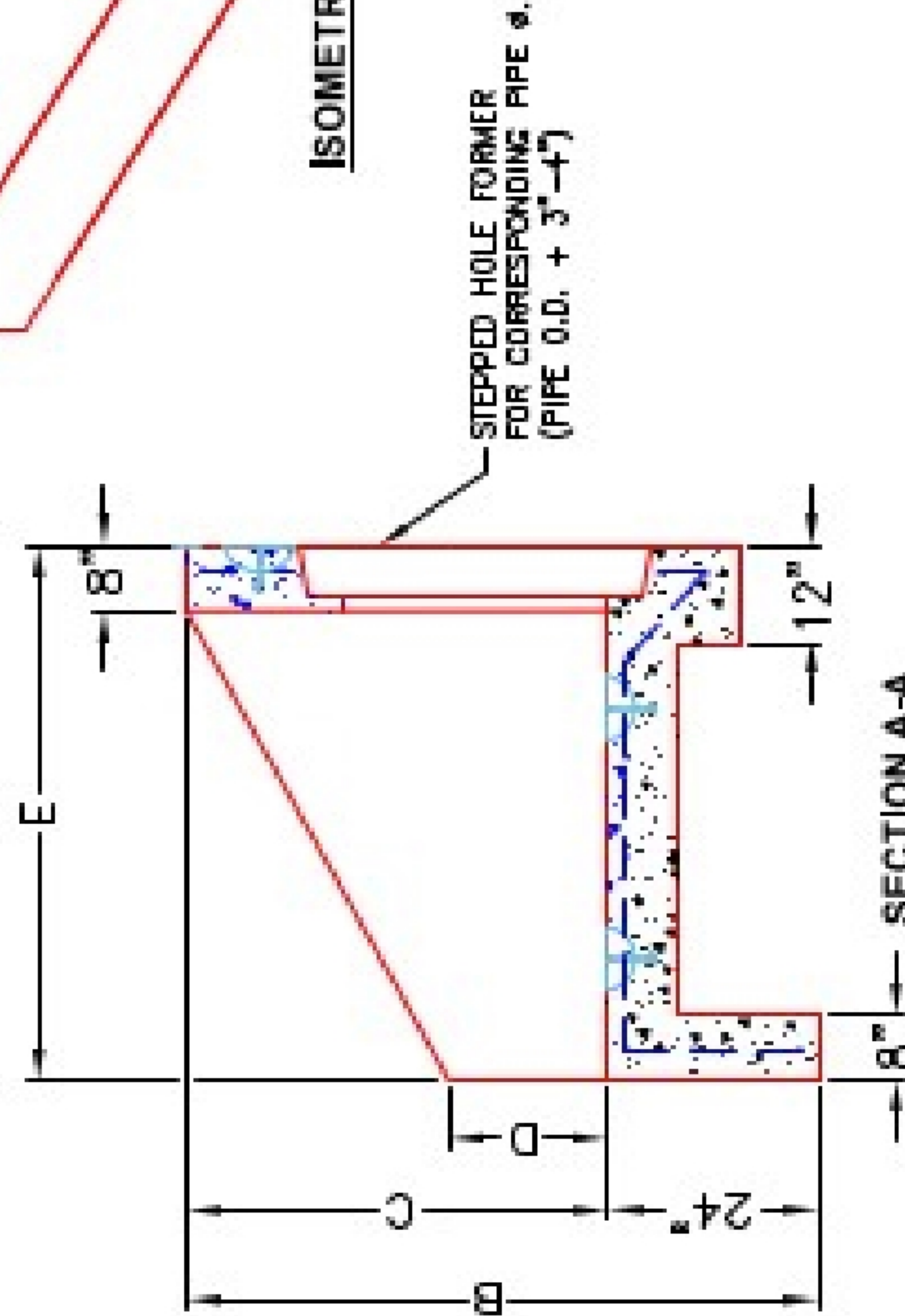
P1 HWPC30

30" - PIPE CULVERT HEADWALL F/F

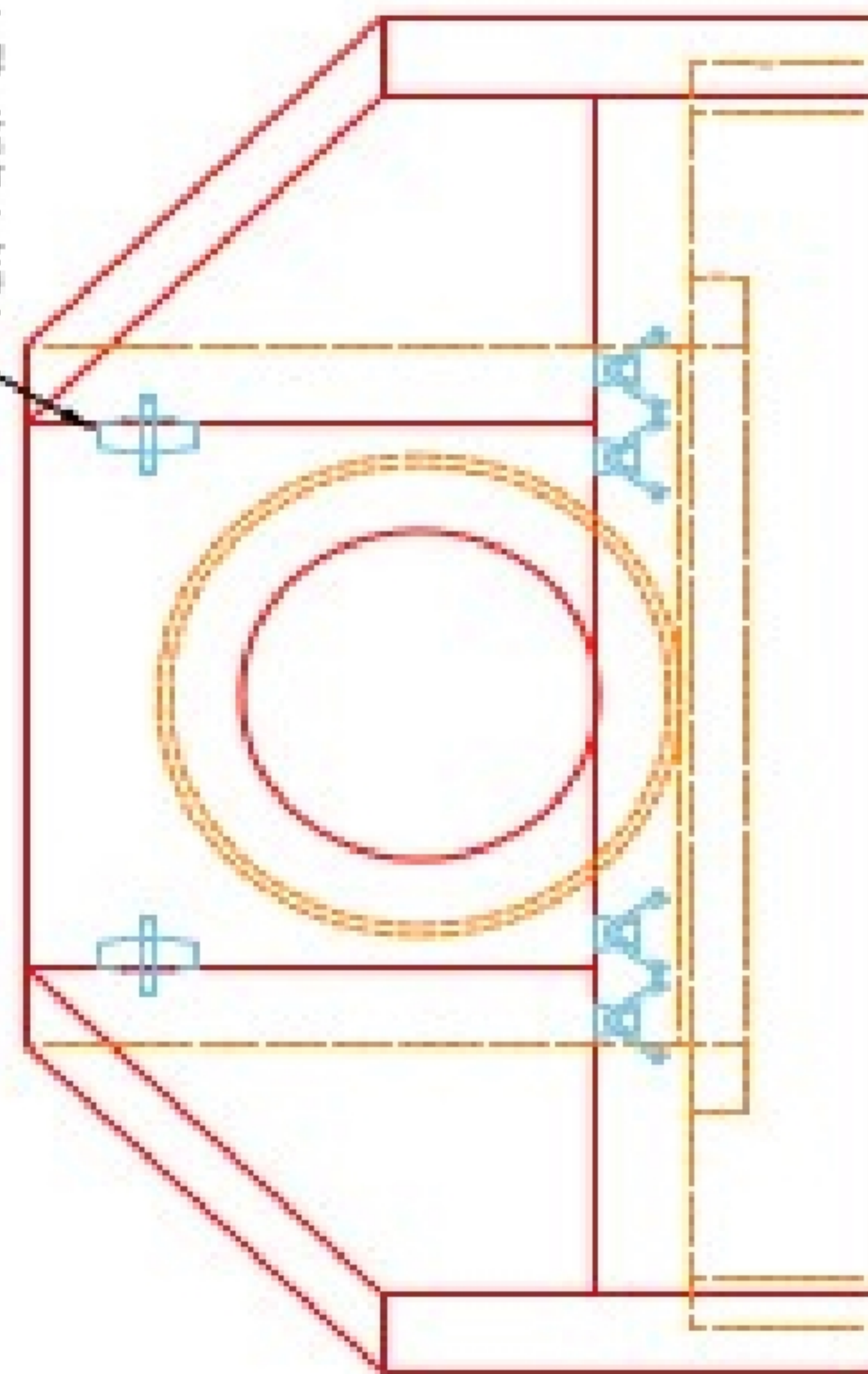
DIMENSIONS									
PIPE Ø	A	B	C	D	E	F	G	H	WEIGHT
30"	6'-0"	6'-0"	6'-0"	1'-0"	5'-0"	3'-0"	1'-0"	3'-0"	6,800 lbs.
36"	6'-0"	6'-0"	6'-0"	1'-0"	5'-0"	4'-0"	1'-0"	3'-0"	6,800 lbs.
42"	6'-0"	6'-0"	5'-0"	2'-0"	6'-0"	4'-0"	1'-0"	4'-0"	13,200 lbs.
48"	6'-0"	6'-0"	5'-0"	2'-0"	6'-0"	5'-0"	1'-0"	4'-0"	13,200 lbs.
54"	7'-0"	7'-0"	6'-0"	2'-0"	7'-0"	5'-0"	0'-0"	6'-0"	18,422 lbs.
60"	7'-0"	7'-0"	6'-0"	2'-0"	7'-0"	6'-0"	0'-0"	6'-0"	18,422 lbs.



ISOMETRIC VIEW



"A-ANCHOR" LIFTING SYSTEM FOR PLANT & FIELD HANDLING.



NOTES:

1. CONCRETE: KYTC APPROVED.
2. REINFORCING: #5 BAR @ 12" C/C E.W. - GRADE 60, (WITH 2" CONCRETE COVER MINIMUM)
3. REINFORCING BARS TO BE TACK WELDED OR TIED.
4. PIPE AND LIFTING ANCHOR POCKETS TO BE GROUTED WITH KYTC APPROVED NON-SHRINK GROUT.
5. DRAWING TO BE USED IN CONJUNCTION WITH KYTC STD. DRAWING RDH-110-02, RDH-210-03 AND THE STANDARD SPECIFICATIONS FOR ROAD AND BRIDGE CONSTRUCTION.
6. 3/4" CHAMFER ON ALL EXPOSED EDGES.
7. PREFORMED STEPPED HOLE SIZED AS PER O.D. OF PIPE + 3" - 4".

APPROVED FOR DESIGN ONLY

APPROVED
 AS PER SPECIFICATION 18.02
 KYTC DIV. OF CONSTRUCTION
 DATE: 1/20/2021 9:50 am
 INSTRUCTION



INFRASTRUCTURE PRECAST, INC.
 601 WINDY HILL CT. LAWRENCEVILLE, KY 40303
 PHONE: (502) 338-2222, FAX: (502) 338-7404

KYTC 30"-60" PIPE CULVERT HEADWALL

DRAWING NO.: R170 PC-181 DATE: 12-14-20
 DRAWN BY: J.H. ROSS, PC CHECKED BY: M. ROYER
 WEB: WWW.ICAST.COM SCALE: NPS