

Job Name: 25-2511B - Blue Sky Sec 1 (Storm)
Job Location: Clarksville, TN
Contractor: Byard Construction, LLC

PC: A. Chambers
 TECH: J. Horsley - F
 Plant: 100



Structure ID: AG
 Spec: Storm
 Type: STM.MH
 Size: 48"

Rim: 504.12'
 Invert: 500'
 Rim to Invert: 4.12'

Sump: 1.9"
 Floor (Top): 499.842'
 Floor Height: 6"

Floor (Bot): 499.342'
 Overall Height: 4.75'
 Slack: 0.34"

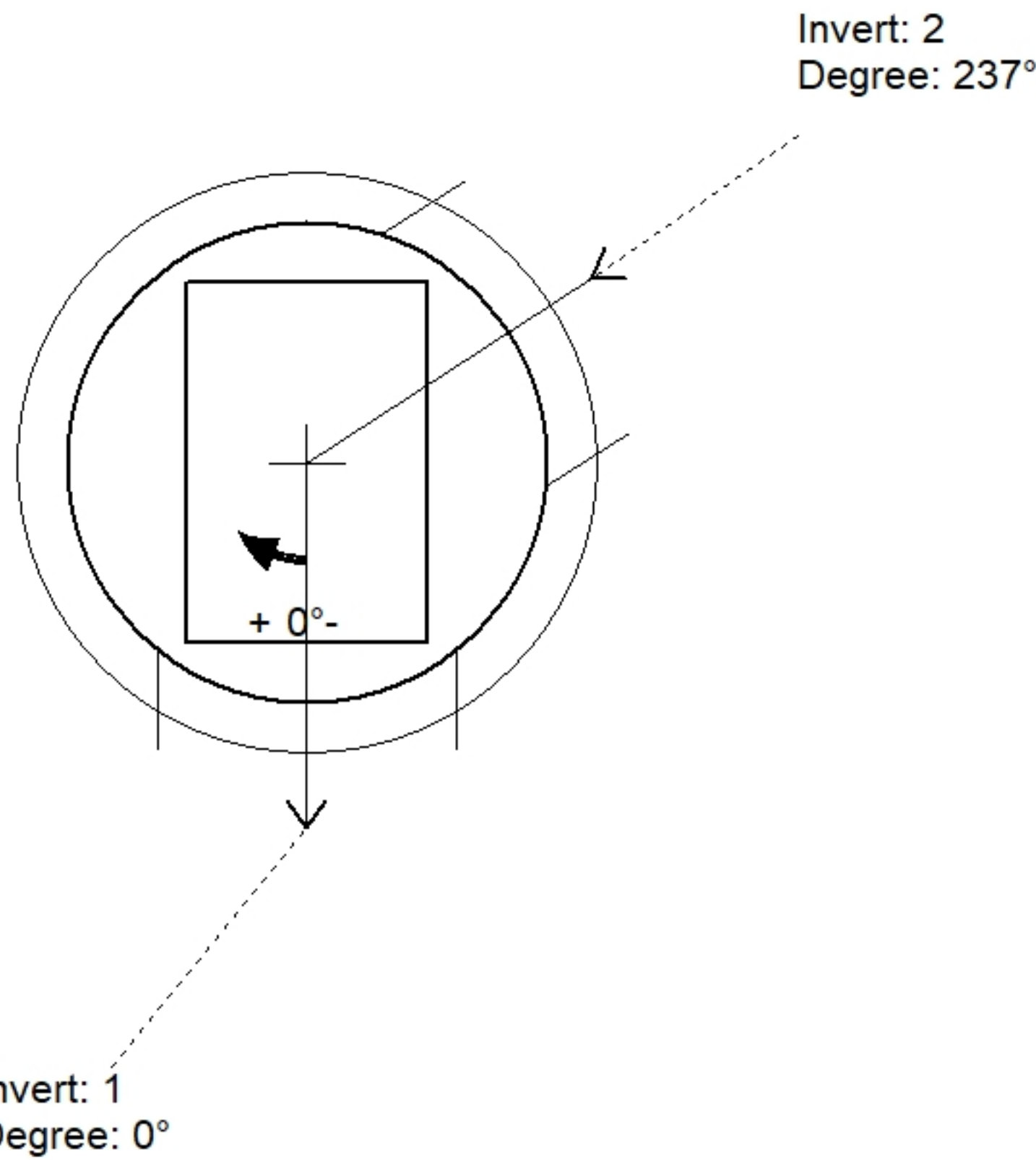
Structure Notes:

1. PER ASTM C478 SPECIFICATIONS.
2. CONCRETE = 4,000 PSI AT 28 DAYS.
3. NO STEPS AND NO INVERT CHANNEL.
4. CASTING BY I-CAST (JBS 3080-V SET F/G/H).

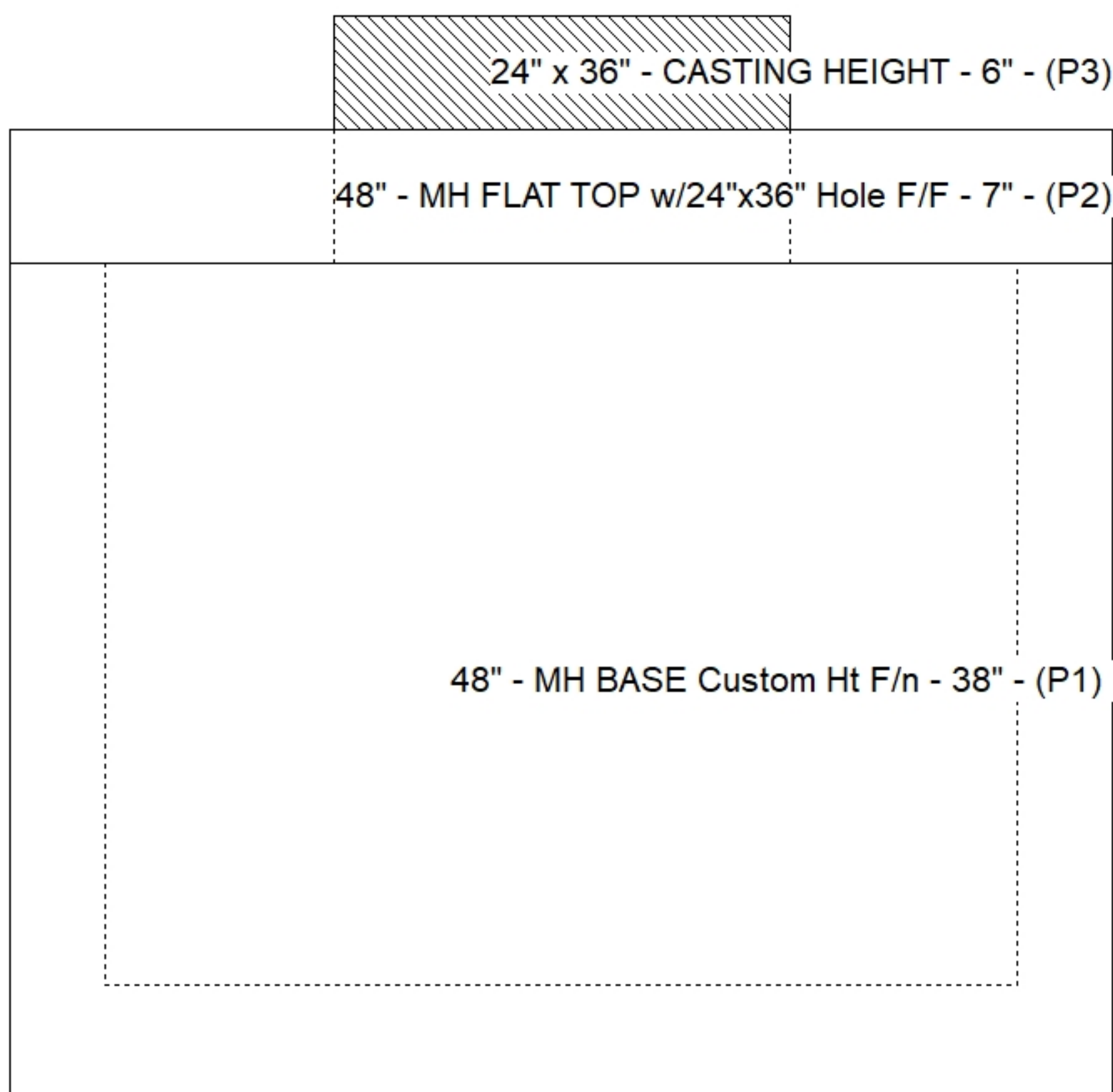
REINFORCING PER ASTM A615 (GRADE 60).
 - TOP SLAB (As .62) #5 BARS AT 6" C.C.E.W..
 - RISER/WALLS (As .12)
 - FLOOR (As .31) #5 BARS AT 12" C.C.E.W.

STRUCTURE SUMMARY:

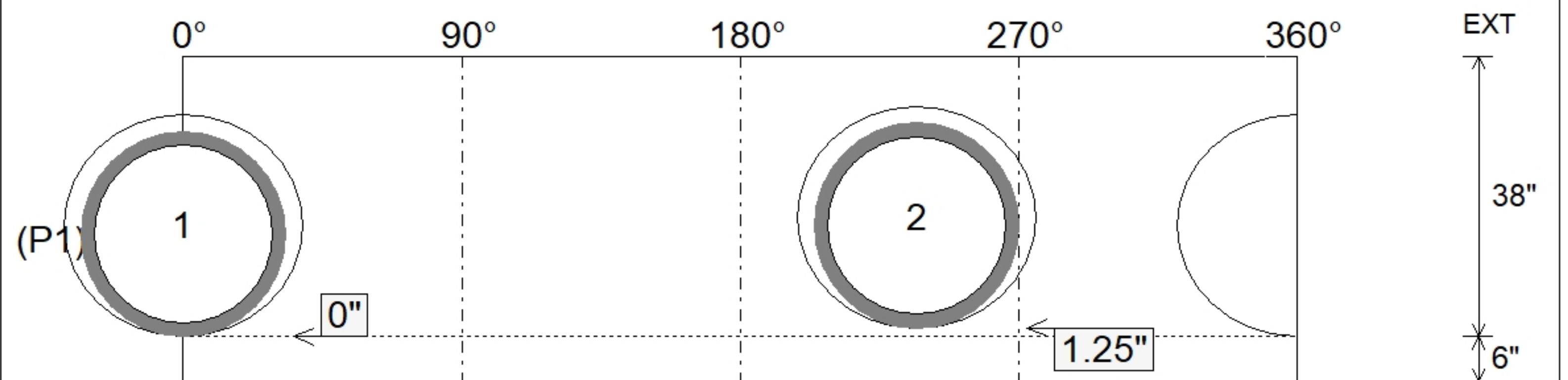
P3) 24" x 36" - CASTING HEIGHT - 6"	0 lb
P2) 48" - MH FLAT TOP w/24"x36" Hole F/F - 7"	1044 lb
P1) 48" - MH BASE Custom Ht F/n - 38"	3353 lb
1) Conseal CS-102 1.00" (Single)	0 lb
1) CASTING - JBS 3080-V SET (F/G/H)	500 lb
2) Hole - 30	0 lb
Structure Total:	4897 lb



Position	Elev	Angle	Pipe	Pipe OD	Hole	Connector	Up (L)	Ref
Rim	504.12'							
Reducer								
Invert 1	500'	0°	24" HDPE	27.8"	30"	Hole 30	0"	P1
Invert 2	500.1'	237°	24" HDPE	27.8"	30"	Hole 30	1.25"	P1
Invert 3								
Invert 4								
Invert 5								
Invert 6								
Invert 7								
Invert 8								



Cast (Int. Dim.) - Interior Dimensions



Submittal Drawing
 11/17/2025 4:59:50 PM

SUBMITTAL
 APPROVED BY: