

Job Name: 25-2511B - Blue Sky Sec 1 (Storm)	Plant: 100	Tech: J. Horsley - F
Job Location: Clarksville, TN	11/17/2025 5:02:11 PM	PC: A. Chambers
Contractor: Byard Construction, LLC		

**Structure ID: AF1**

**P1 BX2828-06BA36**

**BOX BASE 6inW, 6inF F/n**

- P2) 28" x 28" - CASTING HEIGHT - 6"
- P1) 28" x 28" - BOX BASE 6inW, 6inF F/n - 36"
- 1) Conseal CS-102 1.00" (Single)
- 1) CASTING - JBS 3080-V SET (F/G/H)
- 1) Hole - 24

	0 lb
	3043 lb
	0 lb
	500 lb
	0 lb
Structure Total:	3543 lb

- Structure Notes:**
- PER ASTM C913 SPECIFICATIONS.
  - CONCRETE = 4,000 PSI AT 28 DAYS.
  - NO STEPS AND NO INVERT CHANNEL.
  - CASTING BY I-CAST (JBS 3080-V SET (F/G/H)).

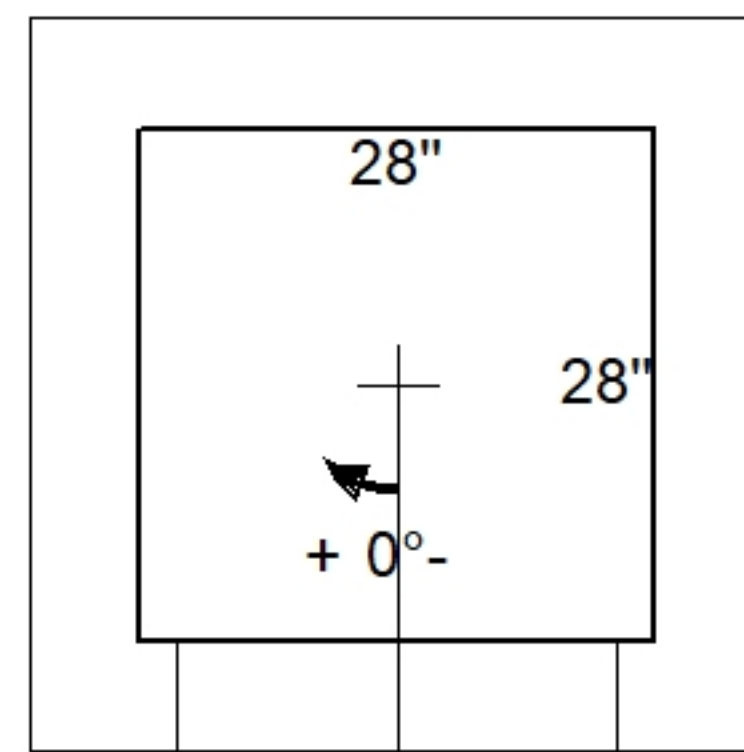
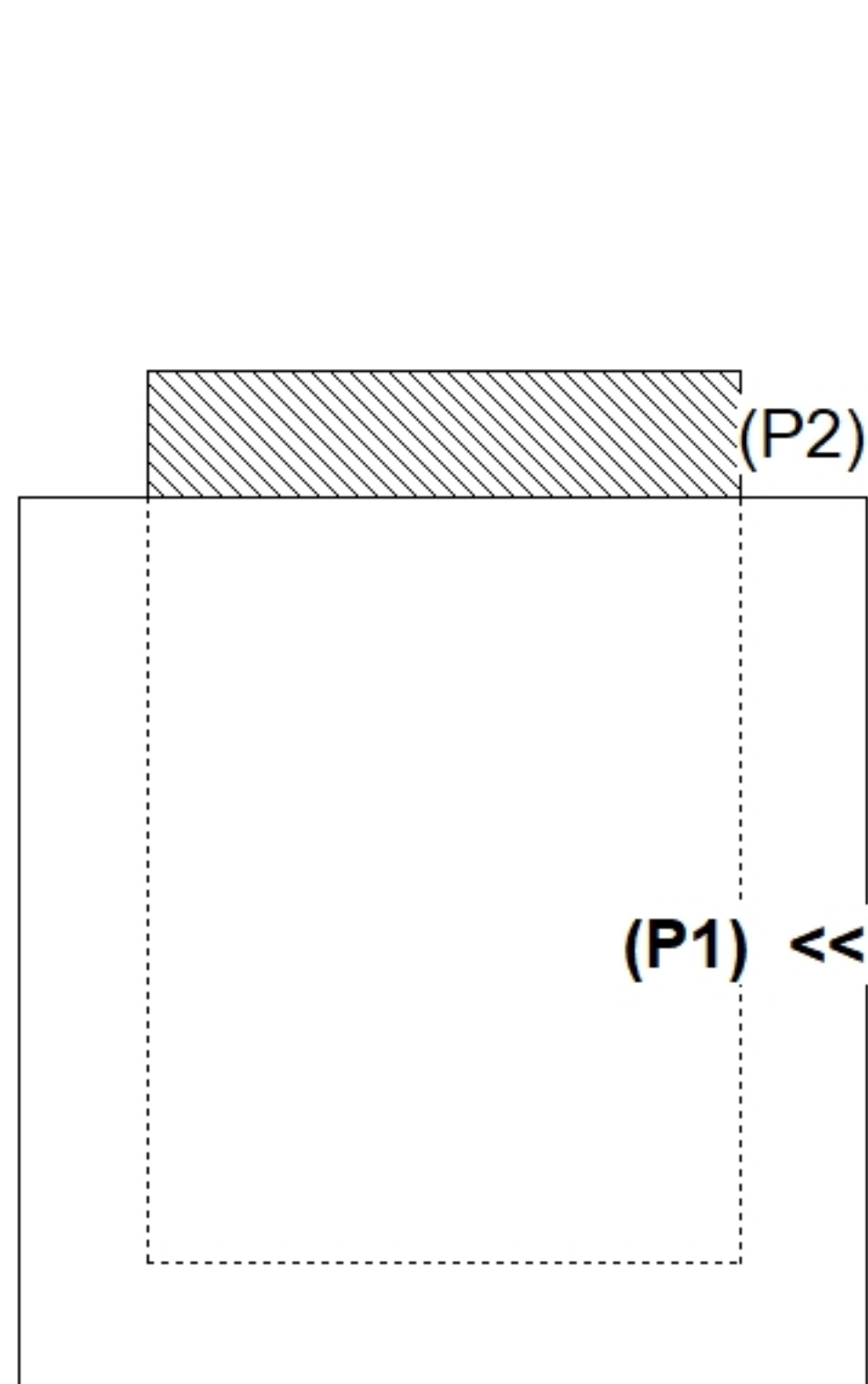
REINFORCING PER ASTM A615 (GRADE 60).  
 - WALLS (As .31) #5 BARS AT 12" C.C.E.W.  
 - FLOOR (As .31) #5 BARS AT 12" C.C.E.W.

Rim: 507.24' Rim to Invert: 3.5' Slack: 0" Sump: 0" Step Position:

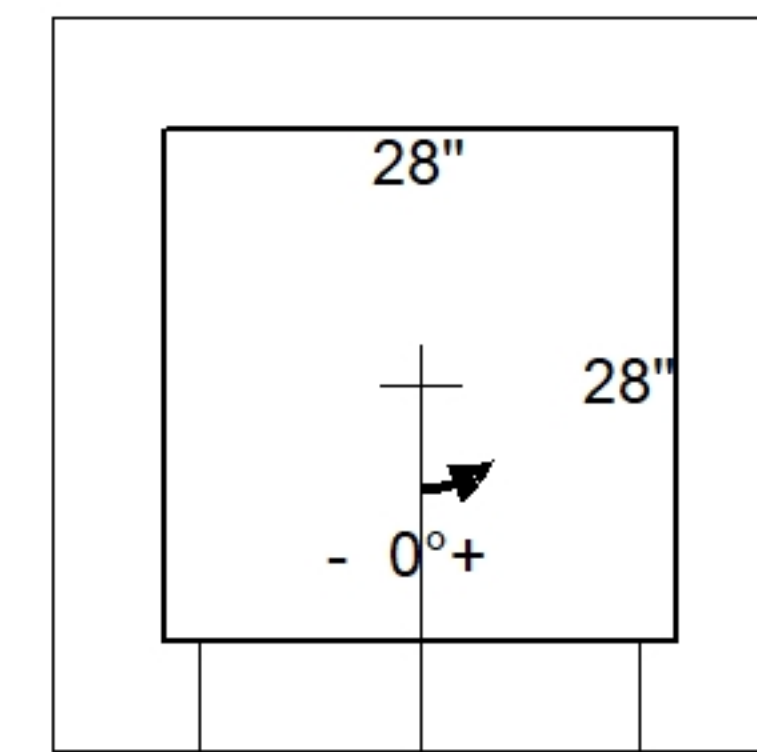
Position	Elev	Angle	Ext. (cw)	Pipe	Pipe OD	Connector	Hole	Horz Size	Up ( )	Offset
Invert 1	503.74'	0°	20"	18" HDPE	21.2"	Hole 24	24"	24"	-1.625"	0"
Invert 2										
Invert 3										
Invert 4										
Invert 5										
Invert 6										
Invert 7										
Invert 8										

RIGHT-SIDE UP VIEW (int. dimensions)

UPSIDE-DOWN VIEW (int. dimensions)

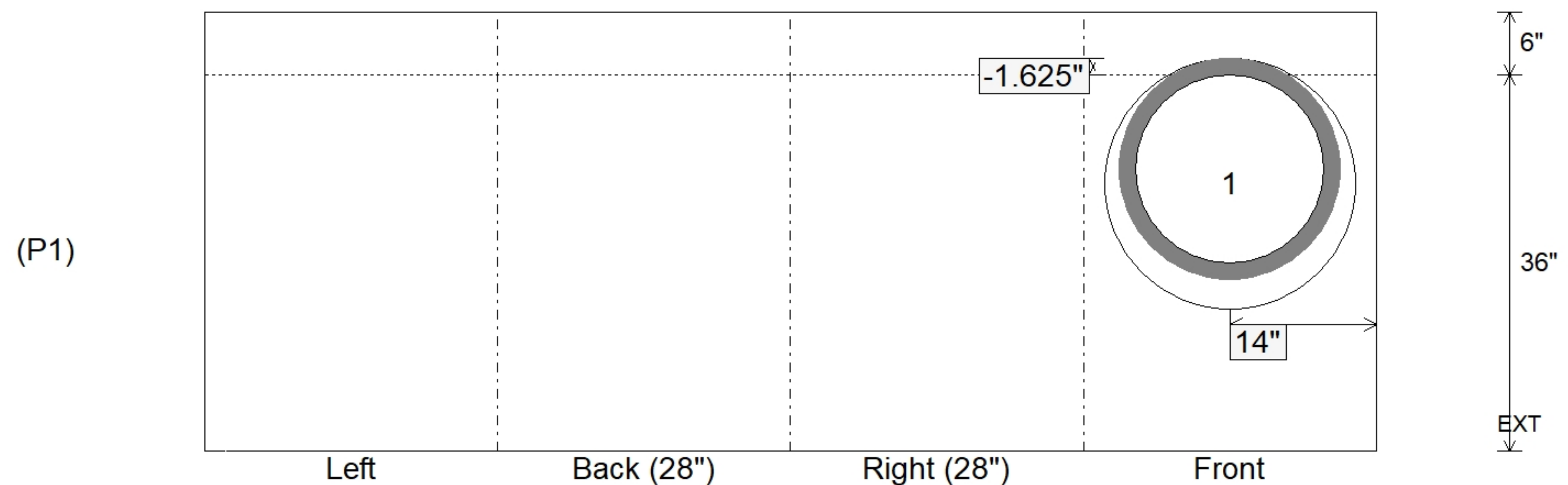


Invert: 1  
 Degree: 0°  
 Horz: 14"  
 Hole: 24"  
 Up( ): -1.625"



Invert: 1  
 Degree: 0°  
 Horz: 14"  
 Hole: 24"  
 Up( ): -1.625"

INSIDE WALL DIMENSIONS



Coating (Int):	Seam Up: Flat	Wall Thickness: 6"	Height (Int): 36"	Weight (Net): 3043 lb
Coating (Ext):	Seam Dn: n/a	Floor Height: 6"	Height (Ext): 42"	Volume (Net): 0.78cu.yd