

**Structure ID: AB**

**P1 HWA18F**

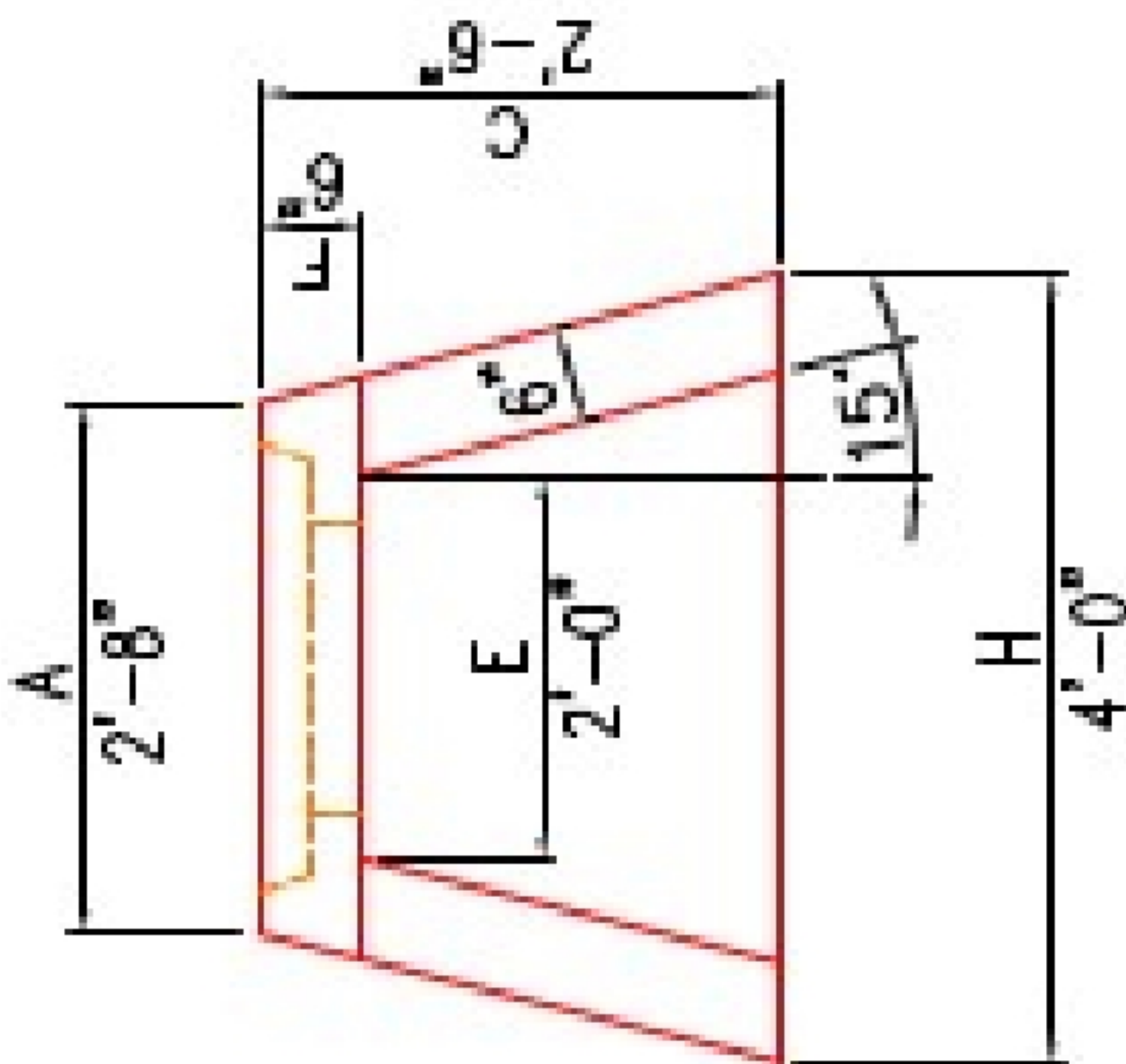
**18" - HW AW w/FLAT BOTTOM F/F**

**DIMENSIONS & QUANTITIES**

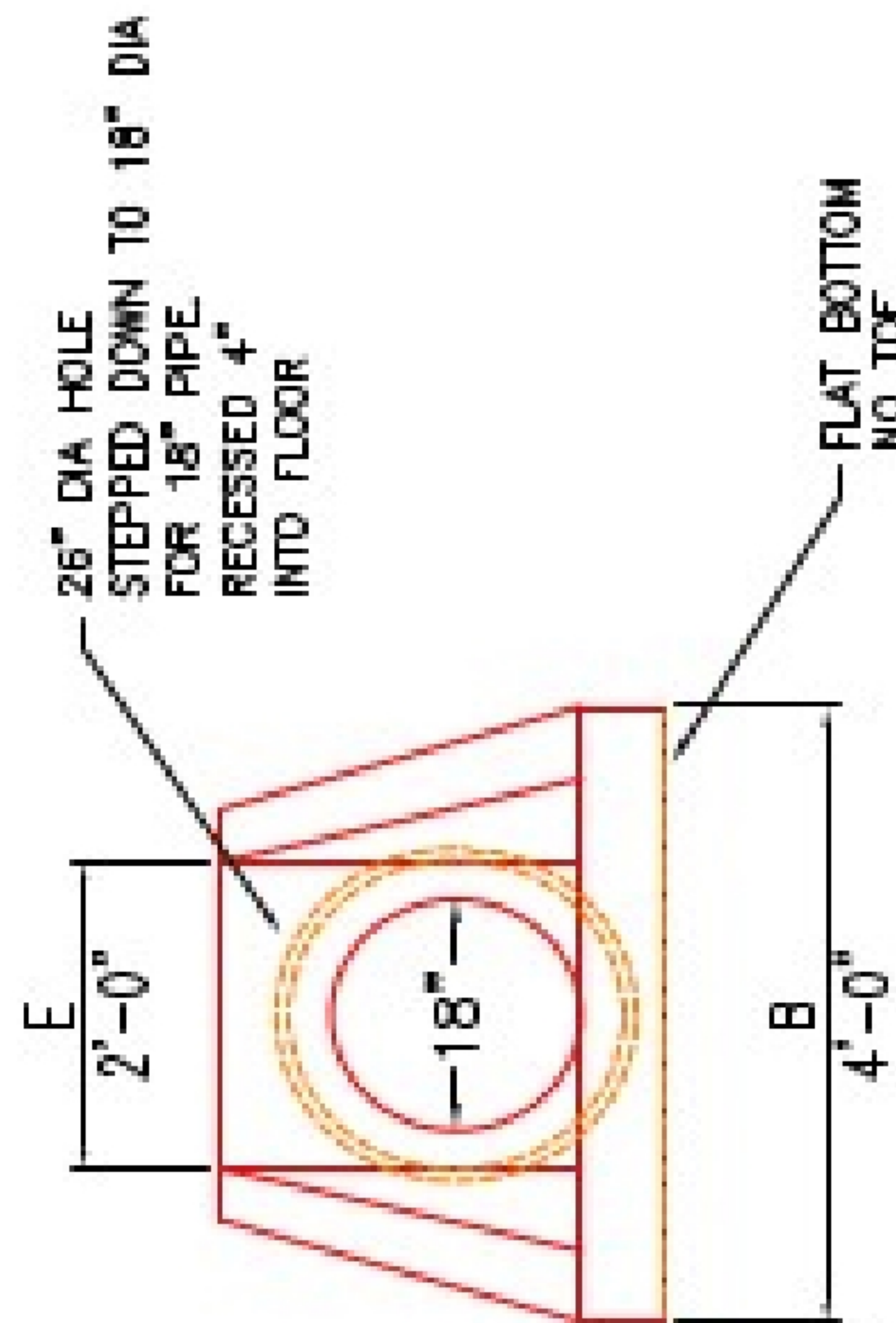
TYPE	PIPE Ø	A	B	C	D	E	F	G	H	WEIGHT W/TOE	WEIGHT
AW	18"	2'-8"	2'-8"	2'-6"	2'-2"	2'-0"	6"	0"	4'-0"	1,830 LBS.	1,380 LBS.

**NOTES:**

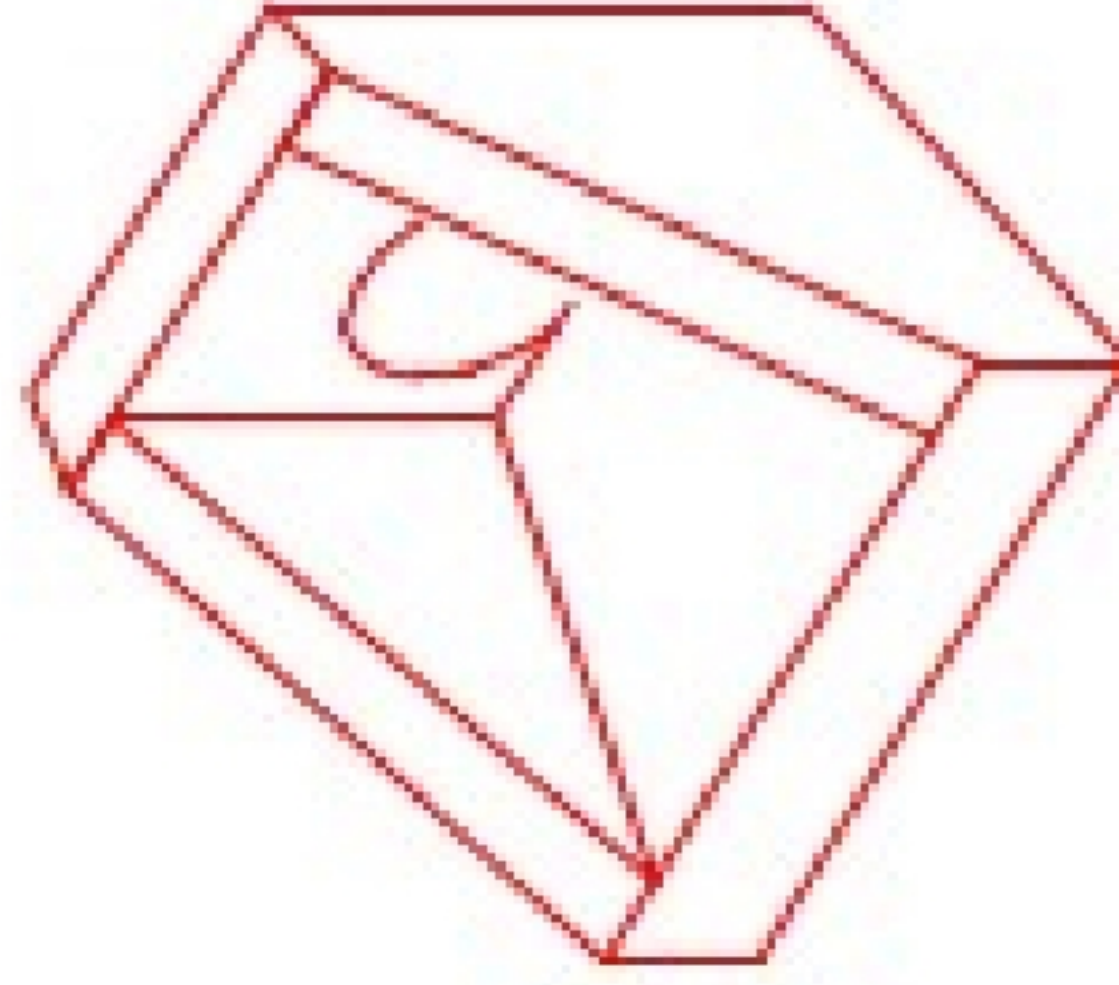
1. CONCRETE: 4500 PSI AT 28 DAYS MINIMUM COMPRESSIVE STRENGTH.
2. REINFORCING: #4 BAR @ 12" C/C E.W.-GRADE 60, (WITH 2" CONCRETE COVER MINIMUM)
3. REINFORCING BARS TO BE TACK WELDED OR TIED.
4. PIPE AND LIFTING ANCHOR POCKETS TO BE GROUTED WITH NON-SHRINK GROUT AFTER SETTING.
5. PREFORMED STEPPED HOLE SIZED AS PER O.D. OF PIPE + 3" - 4".
6. OPTIONAL FOOTING (TOE) AVAILABLE FOR ALL SIZES.



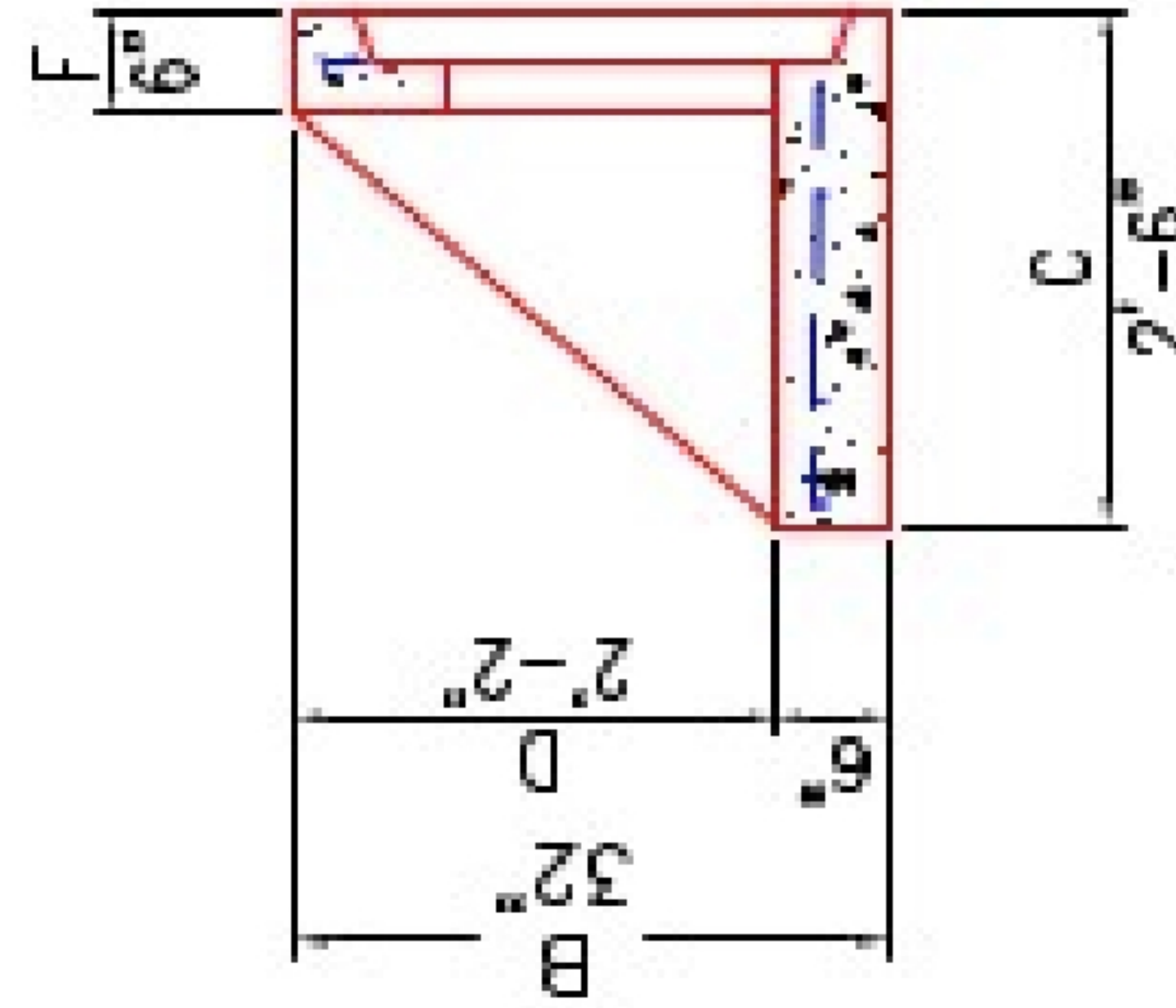
**PLAN VIEW**



**FRONT ELEVATION**



**ISOMETRIC VIEW**



**SECTION A-A**

**PRODUCTION WORK ORDER**

- QUALITY CONTROL CHECKLIST**
- ALL DIMENSIONS CORRECT.
  - LIFTERS INSTALLED.
  - STEPPED HF CORRECT SIZE.
  - REINFORCING CORRECT.
  - CLEARANCE ON REINFORCING CORRECT.
  - EDGES CHAMFERED.
  - ALL PATCHWORK ACCEPTABLE.



PRODUCT I.D.: HWA18F	DESCRIPTION: 18in AW WINGED HEADWALL, FLAT
PRODUCT VIEW: RIGHT SIDE UP	CUSTOMER: STOOK
PLANT: BEAVER DAM, KY.	PROJECT: STOOK
WEIGHT: 1,380 LBS.	STRUCTURE ID.: T.B.D.
TOP SECTION JOINT: N/A	SALES ORDER NO: T.B.D.
BASE SECTION JOINT: N/A	PC: B. KELLY
QC CHECK INITIALS:	DRAWING: J. HORSLEY
	DATE: 10/30/23
	SCALE: NTS
	PG. 1 of 1