

Job Name: 25-2511B - Blue Sky Sec 1 (Storm)

Job Location: Clarksville, TN

Contractor: Byard Construction, LLC

PC: A. Chambers

TECH: J. Horsley - F

Plant: 100



Structure ID: AA

Spec: Storm

Type: STM.MH (Recessed pipe)

Size: 48"

Rim: 505'

Invert: 499.83'

Rim to Invert: 5.17'

Sump: 0"

Floor (Top): 499.83'

Floor Height: 6"

Floor (Bot): 499.33'

Overall Height: 5.5'

Slack: 2.04"

Structure Notes:

1. PER ASTM C478 SPECIFICATIONS.
2. CONCRETE = 4,000 PSI AT 28 DAYS.
3. NO INVERT CHANNEL.
4. CASTING BY I-CAST (JBS 1155 F/C STORM).

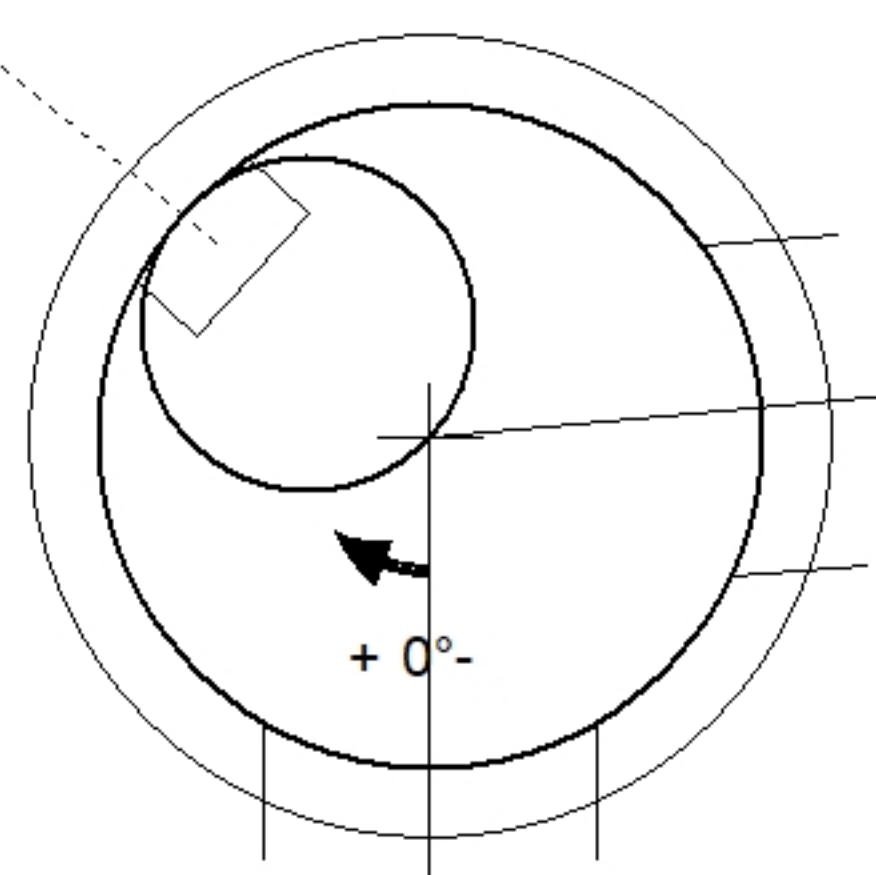
REINFORCING PER ASTM A615 (GRADE 60).

- TOP SLAB (As .62) #5 BARS AT 6" C.C.E.W..
- RISER/WALLS (As .12)
- FLOOR (As .31) #5 BARS AT 12" C.C.E.W

STRUCTURE SUMMARY:

P3) 24" - CASTING HEIGHT - 6"	0 lb
P2) 48" - MH FLAT TOP w/ 24" ECC Hole F/G - 12"	1561 lb
P1) 48" - MH BASE T/n - 42"	3870 lb
1) Conseal CS-102 1.00" (Single)	0 lb
1) CASTING - JBS 1155 F/C STORM	250 lb
2) Hole - 24	0 lb
4) MH Step ML-10-TDS-NCR - 10"	0 lb
Structure Total:	5681 lb

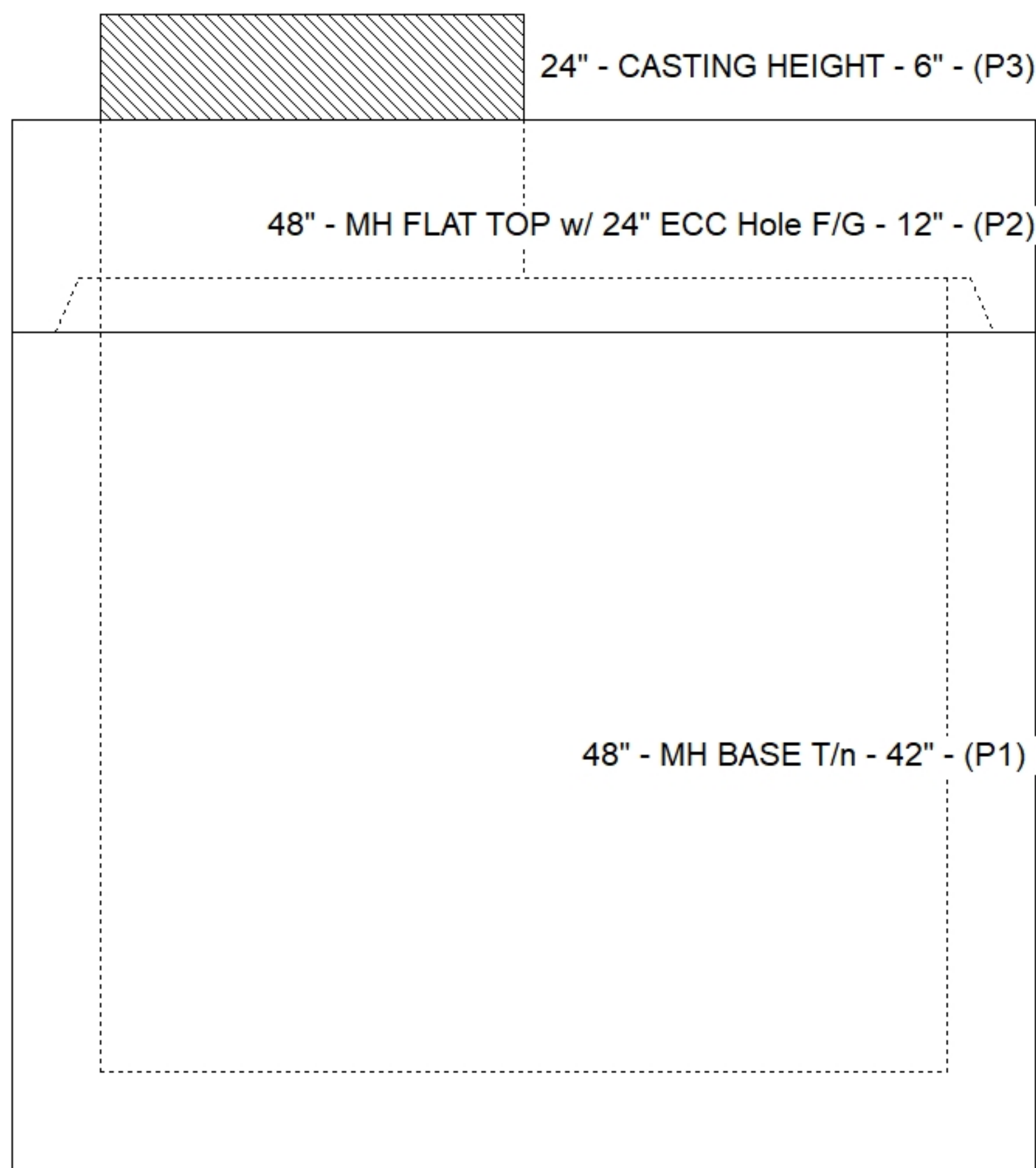
Step: 132.5°



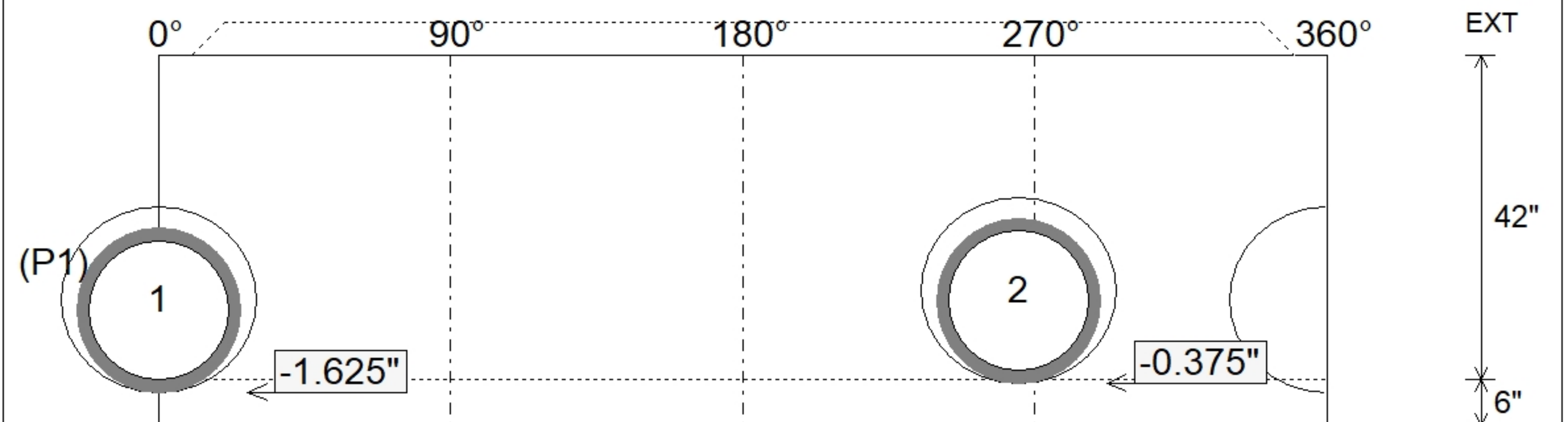
Invert: 2
Degree: 265°

Invert: 1
Degree: 0°

Position	Elev	Angle	Pipe	Pipe OD	Hole	Connector	Up (L)	Ref
Rim	505'							
Reducer								
Invert 1	499.83'	0°	18" HDPE	21.2"	24"	Hole 24	-1.625"	P1
Invert 2	499.93'	265°	18" HDPE	21.2"	24"	Hole 24	-0.375"	P1
Invert 3								
Invert 4								
Invert 5								
Invert 6								
Invert 7								
Invert 8								



Cast (Int. Dim.) - Interior Dimensions



Submittal Drawing
11/17/2025 4:59:42 PM

SUBMITTAL
APPROVED BY: