

Job Name: 25-2511B - Blue Sky Sec 1 (Storm)
 Job Location: Clarksville, TN
 Contractor: Byard Construction, LLC

Plant: 100

11/17/2025 5:03:05 PM

Tech: J. Horsley - F

PC: A. Chambers



Structure ID: AA

P2 MH048LD12ECC

MH FLAT TOP w/ 24" ECC Hole F/G

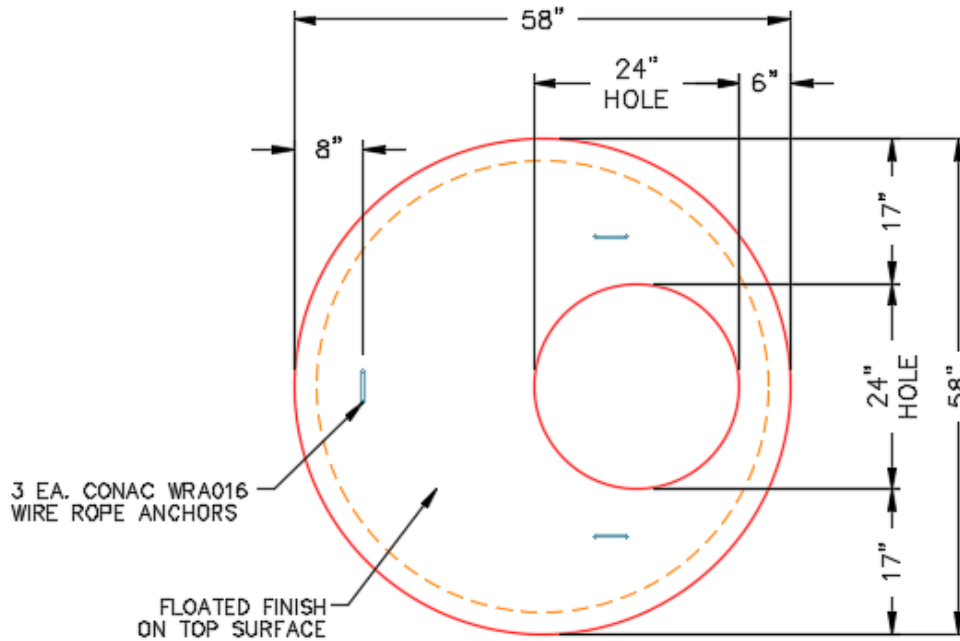
- P3) 24" - CASTING HEIGHT - 6"
- P2) 48" - MH FLAT TOP w/ 24" ECC Hole F/G - 12"
- P1) 48" - MH BASE T/n - 42"
- 1) Conseal CS-102 1.00" (Single)
- 1) CASTING - JBS 1155 F/C STORM
- 2) Hole - 24
- 4) MH Step ML-10-TDS-NCR - 10"

0 lb
 1561 lb
 3870 lb
 0 lb
 250 lb
 0 lb
 0 lb

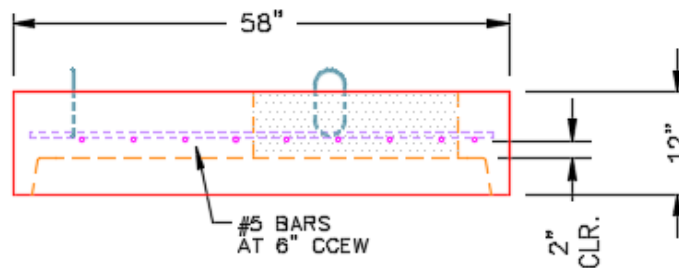
 Structure Total: 5681 lb

- Structure Notes:**
1. PER ASTM C478 SPECIFICATIONS.
 2. CONCRETE = 4,000 PSI AT 28 DAYS.
 3. NO INVERT CHANNEL.
 4. CASTING BY I-CAST (JBS 1155 F/C STORM).

REINFORCING PER ASTM A615 (GRADE 60).
 - TOP SLAB (As .62) #5 BARS AT 6" C.C.E.W..
 - RISER/WALLS (As .12)
 - FLOOR (As .31) #5 BARS AT 12" C.C.E.W



PLAN VIEW



SECTION A-A

Coating (Int):
 Coating (Ext):

Seam Up: Flat
 Seam Dn: Groove

Wall Thickness: 5"

Height (Ext): 12"

Weight (Net): 1561 lb
 Volume (Net): 0.42cu.yd