

Job Name: 25-2511B - Blue Sky Sec 1 (Storm)

Job Location: Clarksville, TN

Contractor: Byard Construction, LLC

PC: A. Chambers

TECH: J. Horsley - F

Plant: 100



Structure ID: A

Spec: Storm

Type: BX 6inW, 6inF

Size: 28" x 28"

Rim: 519.01'

Invert: 515.51'

Rim to Invert: 3.5'

Sump: 0"

Floor (Top): 515.51'

Floor Height: 6"

Floor (Bot): 515.01'

Overall Height: 4'

Slack: 0"

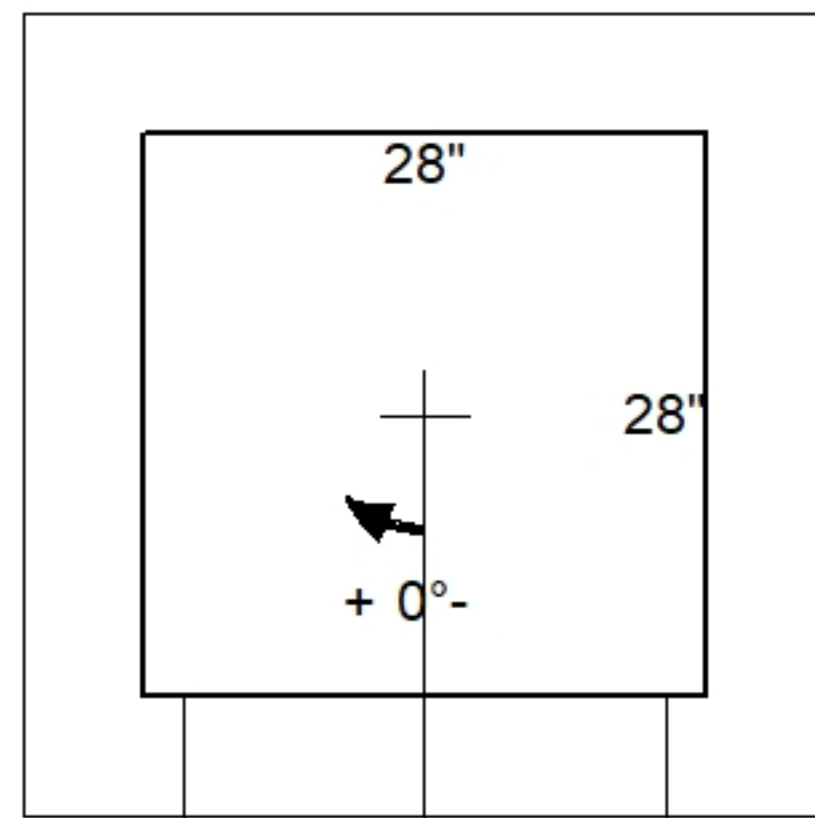
Structure Notes:

1. PER ASTM C913 SPECIFICATIONS.
2. CONCRETE = 4,000 PSI AT 28 DAYS.
3. NO STEPS AND NO INVERT CHANNEL.
4. CASTING BY I-CAST (JBS 3080-V SET (F/G/H)).

REINFORCING PER ASTM A615 (GRADE 60).
 - WALLS (As .31) #5 BARS AT 12" C.C.E.W.
 - FLOOR (As .31) #5 BARS AT 12" C.C.E.W.

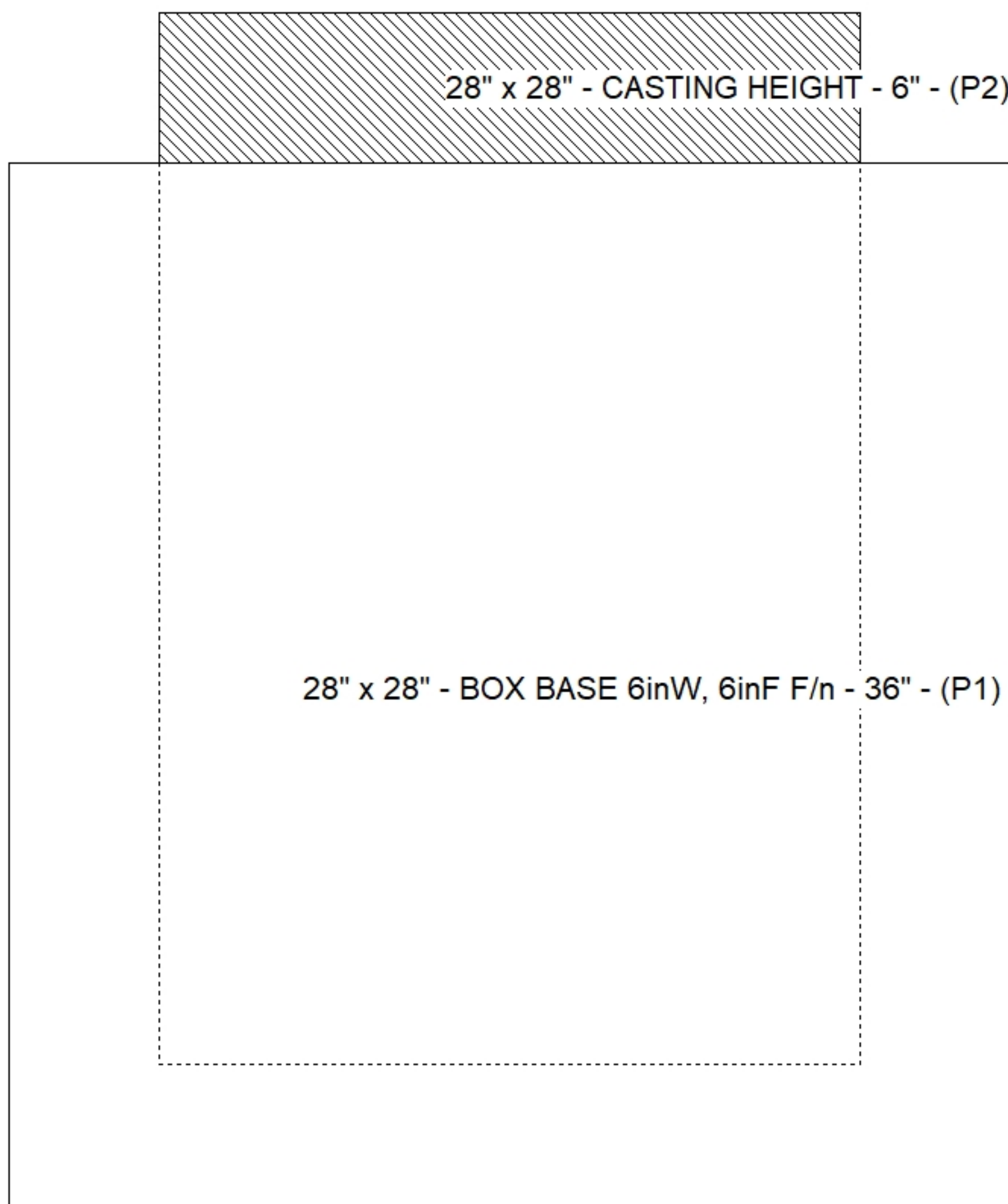
STRUCTURE SUMMARY:

| | |
|---|----------------|
| P2) 28" x 28" - CASTING HEIGHT - 6" | 0 lb |
| P1) 28" x 28" - BOX BASE 6inW, 6inF F/n - 36" | 3043 lb |
| 1) Conseal CS-102 1.00" (Single) | 0 lb |
| 1) CASTING - JBS 3080-V SET (F/G/H) | 500 lb |
| 1) Hole - 24 | 0 lb |
| Structure Total: | 3543 lb |

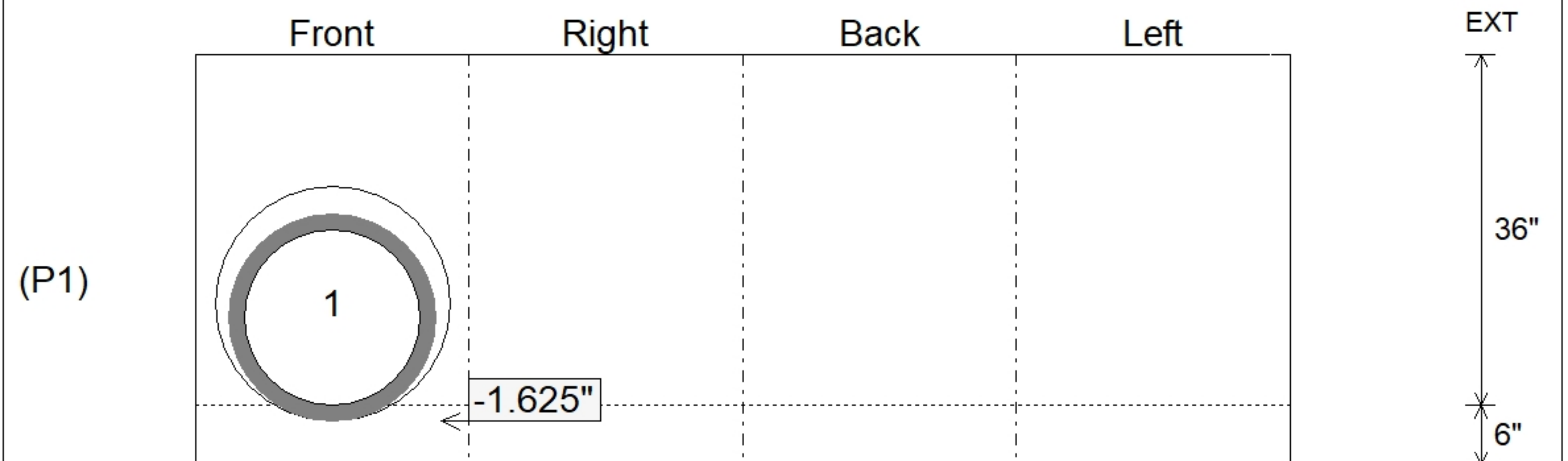


Invert: 1
Degree: 0°

| Position | Elev | Angle | Pipe | Pipe OD | Hole | Connector | Up (L) | Ref |
|----------|---------|-------|----------|---------|------|-----------|---------|-----|
| Rim | 519.01' | | | | | | | |
| Reducer | | | | | | | | |
| Invert 1 | 515.51' | 0° | 18" HDPE | 21.2" | 24" | Hole 24 | -1.625" | P1 |
| Invert 2 | | | | | | | | |
| Invert 3 | | | | | | | | |
| Invert 4 | | | | | | | | |
| Invert 5 | | | | | | | | |
| Invert 6 | | | | | | | | |
| Invert 7 | | | | | | | | |
| Invert 8 | | | | | | | | |



Cast (Int. Dim.) - Interior Dimensions



Submittal Drawing
11/17/2025 4:59:10 PM

SUBMITTAL
APPROVED BY: