

Job Name: 25-2505 HEATH ELEMENTARY
Job Location: Paducah, Ky
Contractor: Parker Excavating, LLC.

PC: E. Bradley
 TECH: C. Russ
 Plant: Beaver Dam



Structure ID: **ST-17**

Spec: Storm
 Type: BX 8inW, 8inF
 Size: 24" x 24"

Rim: 383.5'
 Invert: 381.5'
 Rim to Invert: 2'

Sump: 0"
 Floor (Top): 381.5'
 Floor Height: 8"

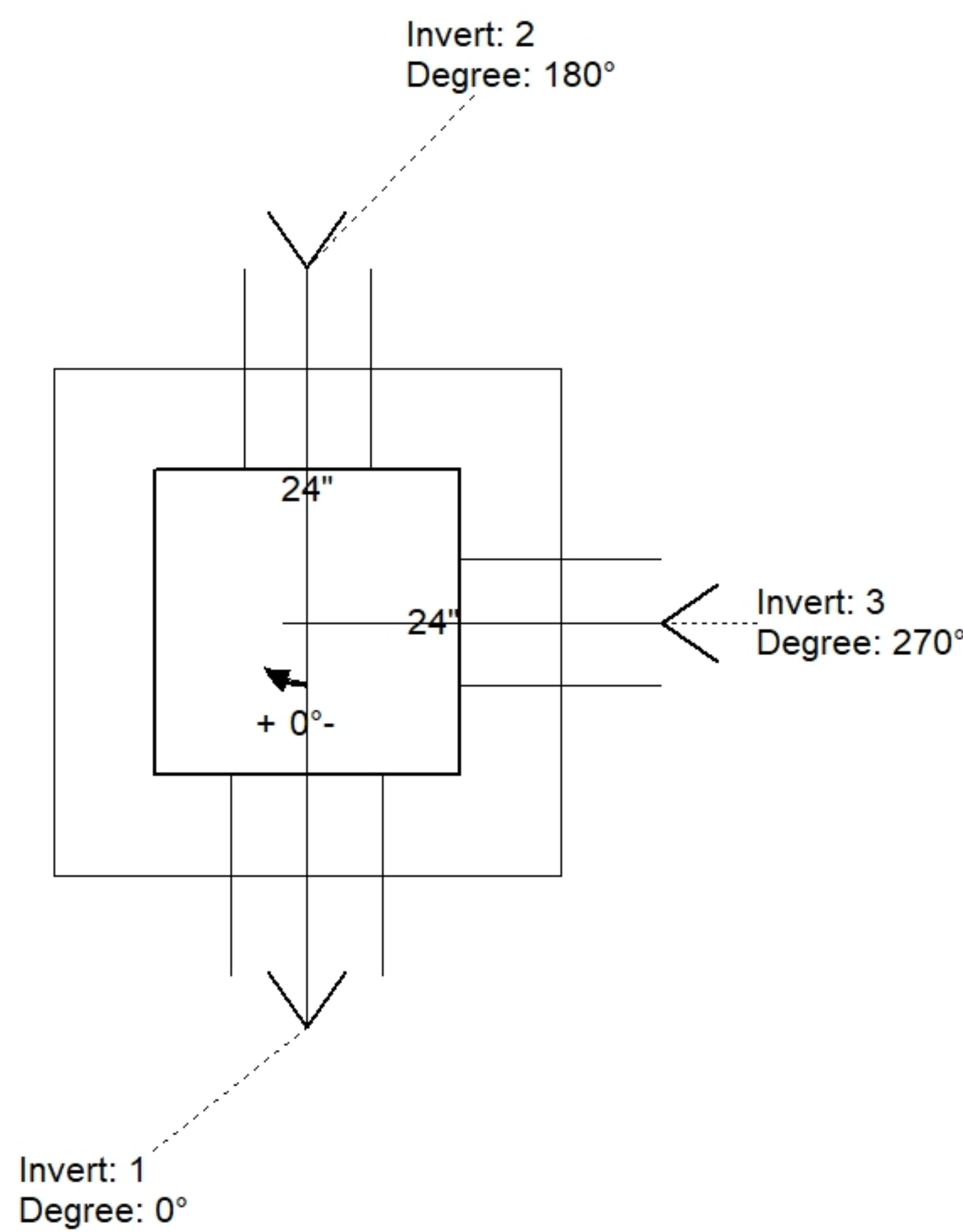
Floor (Bot): 380.833'
 Overall Height: 2.667'
 Slack: 0"

Structure Notes:

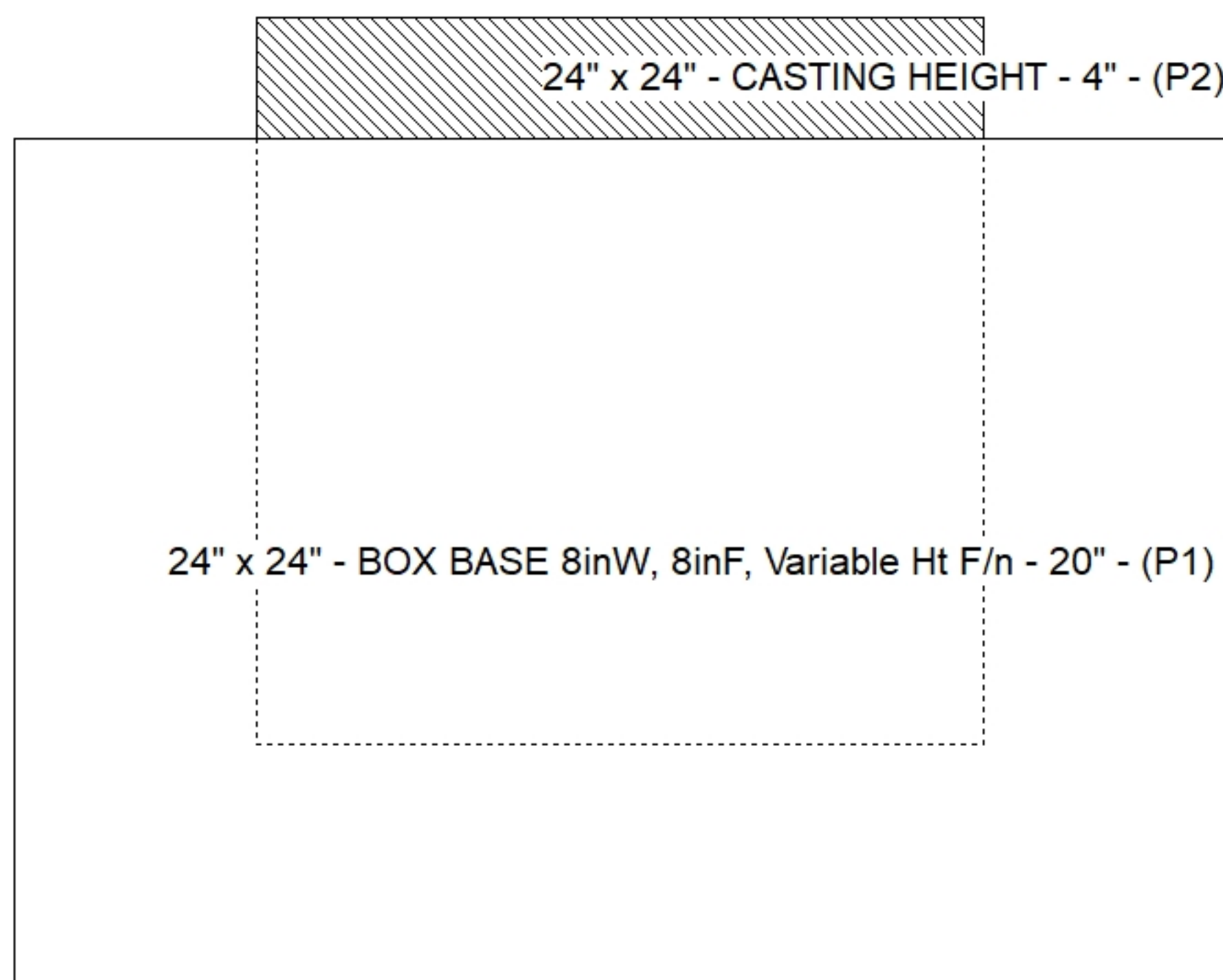
1. PER ASTM C913 SPECIFICATIONS.
 2. CONCRETE = 4,000 PSI AT 28 DAYS.
 3. NO INVERT CHANNEL.
 4. HOE 280T PROVIDED BY ICAST
- REINFORCING PER ASTM A615 (GRADE 60).
 - TOP SLAB (As .62) #5 BARS AT 6" C.C.E.W.
 - WALLS (As .12) #5 BARS AT 12" C.C.E.W.
 - FLOOR (As .12) #5 BARS AT 12" C.C.E.W.

STRUCTURE SUMMARY:

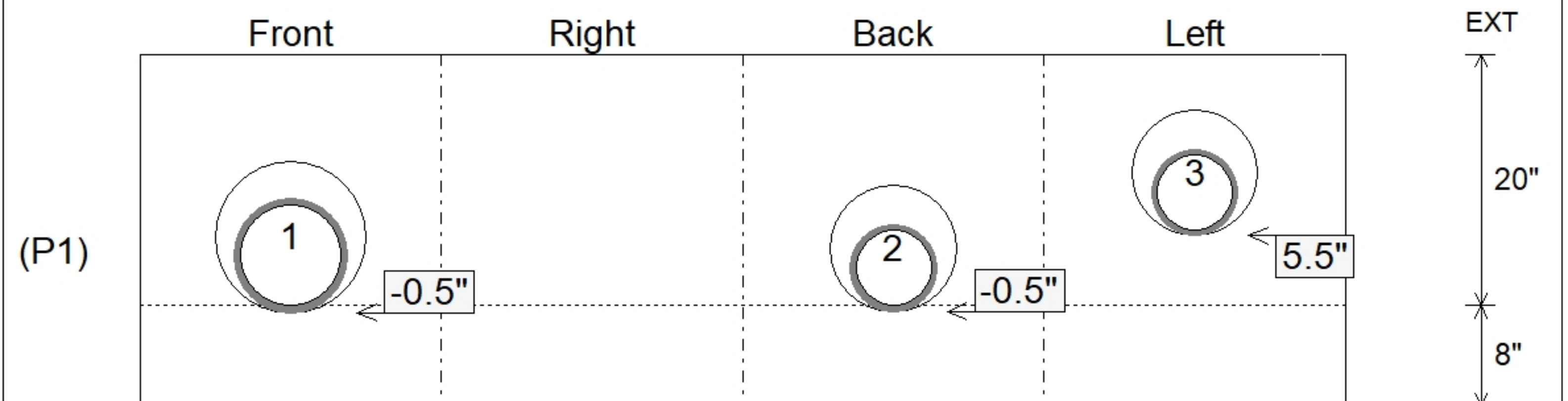
P2) 24" x 24" - CASTING HEIGHT - 4"	0 lb
P1) 24" x 24" - BOX BASE 8inW, 8inF, Variable Ht F/n - 20"	2611 lb
1) CASTING - HOE 280T F/G	182 lb
1) 24" x 24" - SGL 1"x14.5' Butyl	0 lb
1) Hole - 12	0 lb
2) Hole - 10	0 lb
Structure Total:	2793 lb



Position	Elev	Angle	Pipe	Pipe OD	Hole	Connector	Up (")	Ref
Rim	383.5'							
Reducer								
Invert 1	381.5'	0°	8" HDPE	9.1"	12"	Hole 12	-0.5"	P1
Invert 2	381.5'	180°	6" HDPE	6.9"	10"	Hole 10	-0.5"	P1
Invert 3	382'	270°	6" HDPE	6.9"	10"	Hole 10	5.5"	P1
Invert 4								
Invert 5								
Invert 6								
Invert 7								
Invert 8								



Cast (Int. Dim.) - Interior Dimensions



Submittal Drawing
 11/13/2025 1:31:46 PM

SUBMITTAL
 APPROVED BY: