

**Structure ID: ST-16**

**P1 BX2424-08BAVF BOX BASE 8inW, 8inF, Variable Ht F/n**

P2) 24" x 24" - CASTING HEIGHT - 4" P1) 24" x 24" - BOX BASE 8inW, 8inF, Variable Ht F/n - 24" 1) CASTING - HOE 280T F/G 1) 24" x 24" - SGL 1"x14.5' Butyl 1) Hole - 18 2) Hole - 10 1) Hole - 12	0 lb 2784 lb 182 lb 0 lb 0 lb 0 lb 0 lb 0 lb ----- 2966 lb	Structure Total:
---	---	------------------

**Structure Notes:**

1. PER ASTM C913 SPECIFICATIONS.
2. CONCRETE = 4,000 PSI AT 28 DAYS.
3. NO INVERT CHANNEL.
4. HOE 280T PROVIDED BY ICAST REINFORCING PER ASTM A615 (GRADE 60).

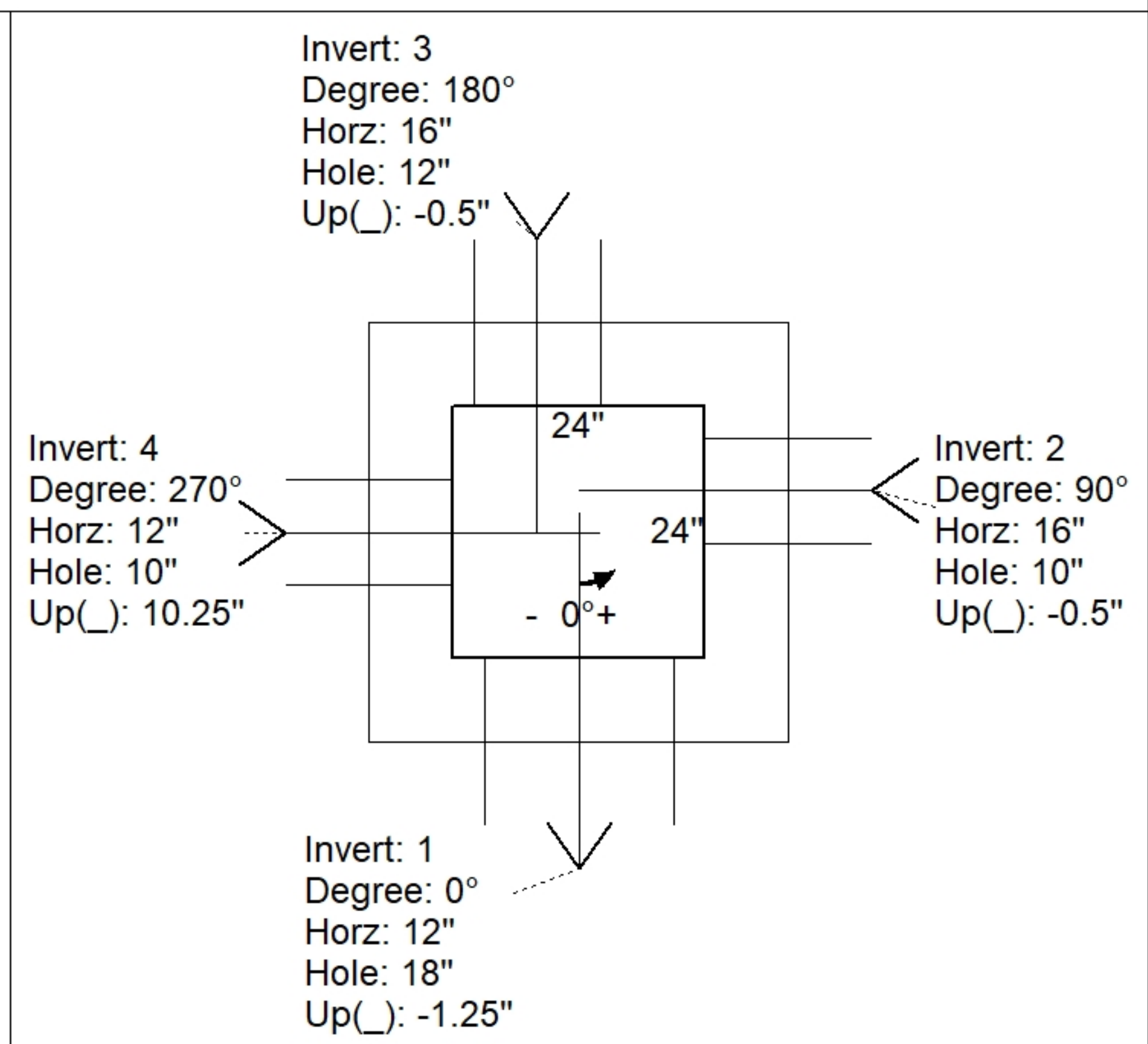
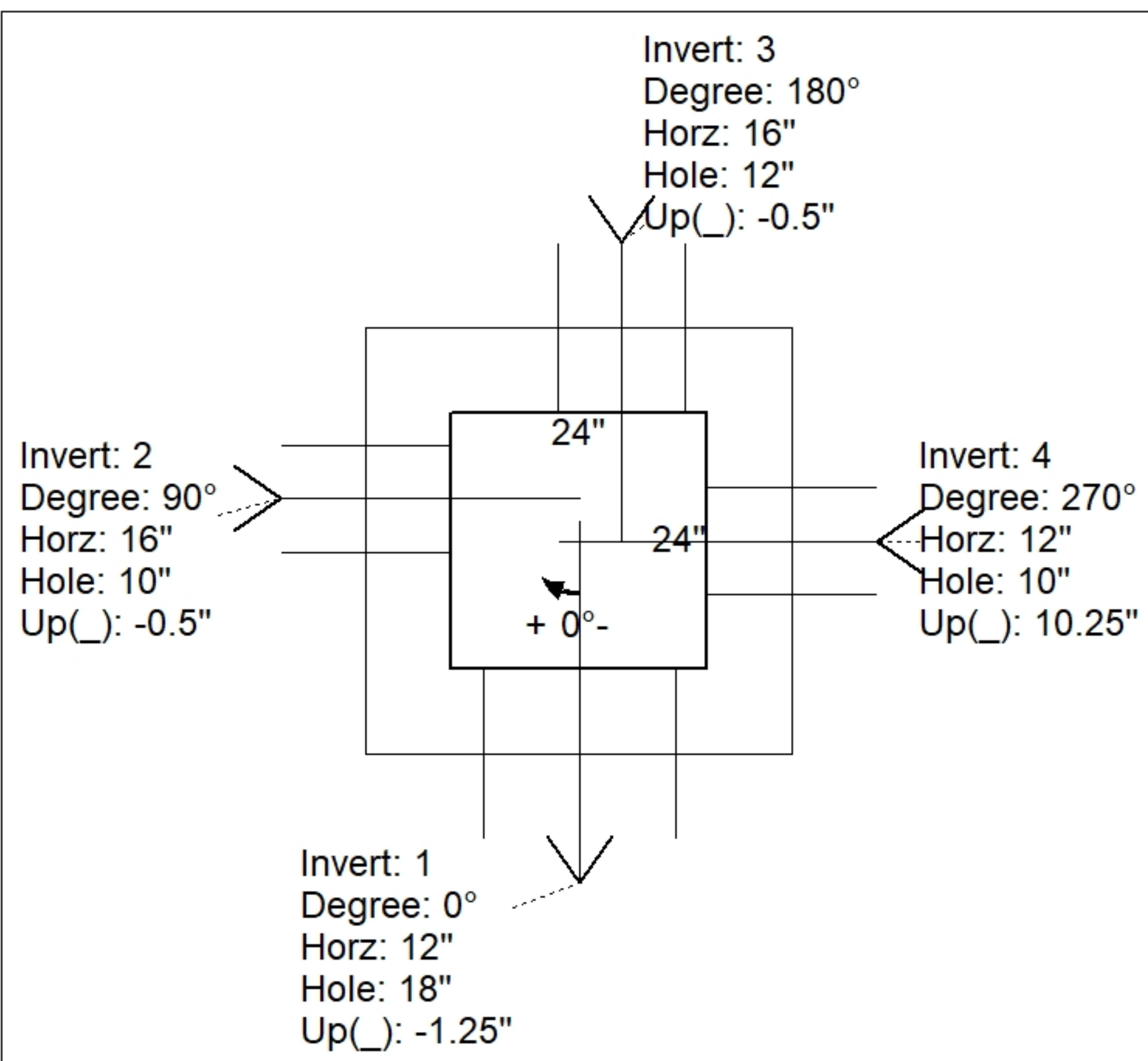
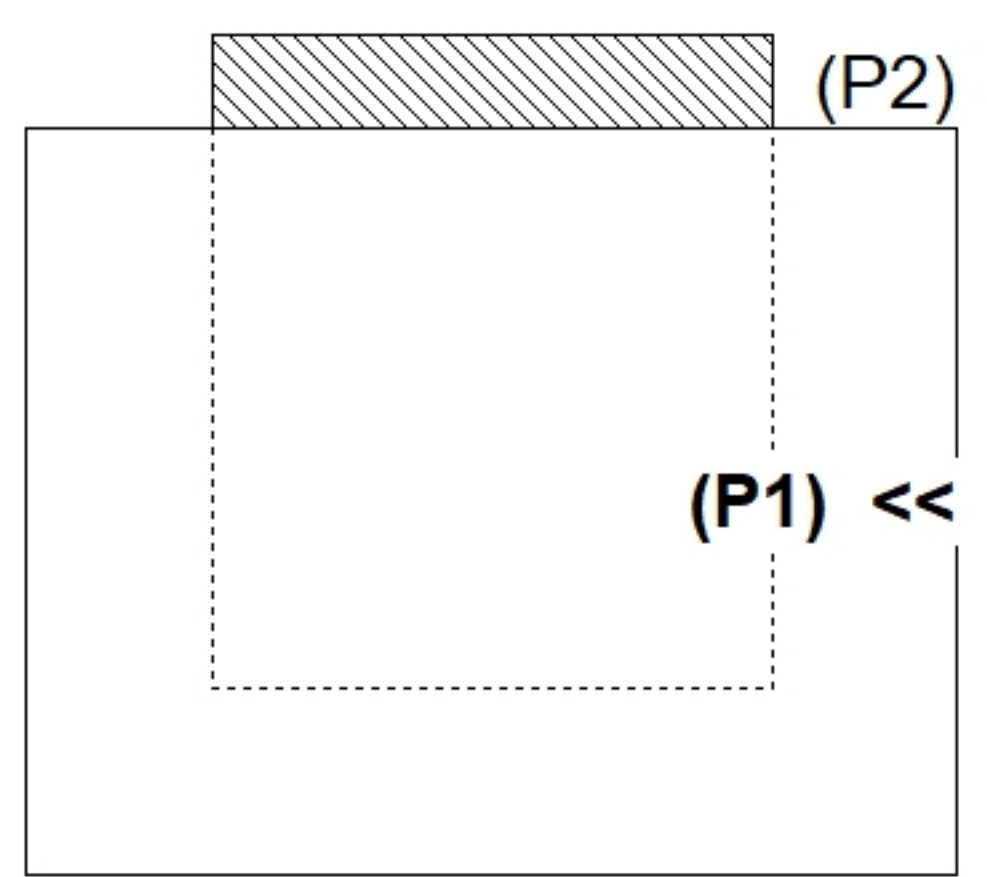
- TOP SLAB (As .62) #5 BARS AT 6" C.C.E.W.  
 - WALLS (As .12) #5 BARS AT 12" C.C.E.W.  
 - FLOOR (As .12) #5 BARS AT 12" C.C.E.W.

Rim: 383.25'    Rim to Invert: 2.39'    Slack: 0.68"    Sump: 0"    Step Position:

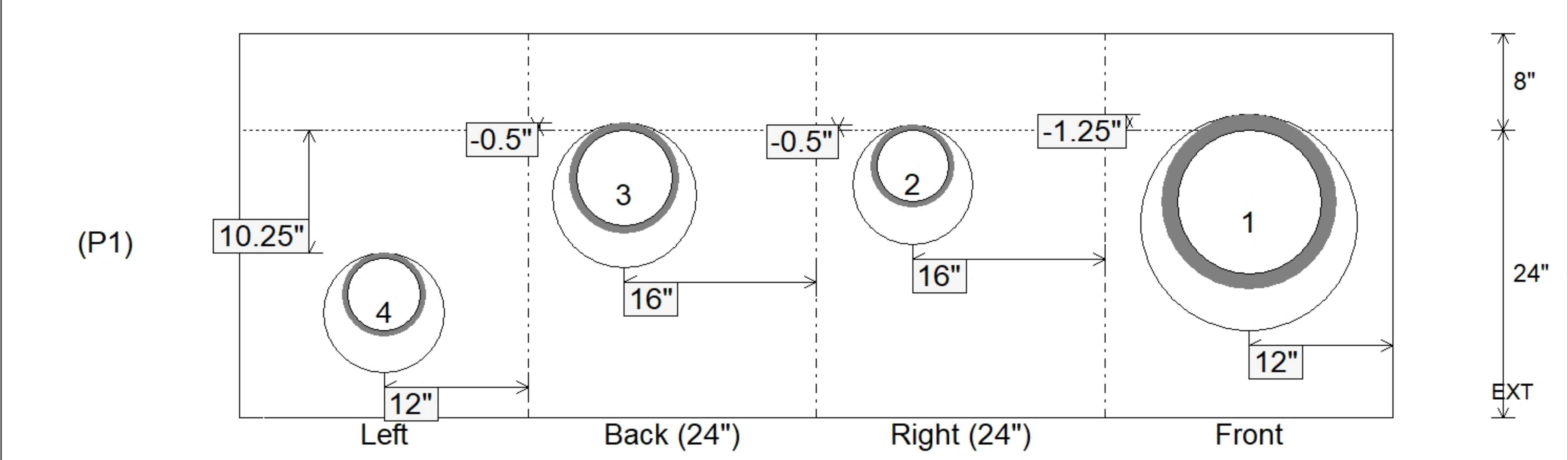
Position	Elev	Angle	Ext. (cw)	Pipe	Pipe OD	Connector	Hole	Horz Size	Up ( )	Offset
Invert 1	380.86'	0°	20"	12" HDPE	14.5"	Hole 18	18"	18"	-1.25"	0"
Invert 2	380.86'	90°	24"	6" HDPE	6.9"	Hole 10	10"	10"	-0.5"	4"
Invert 3	380.86'	180°	24"	8" HDPE	9.1"	Hole 12	12"	12"	-0.5"	4"
Invert 4	381.75'	270°	20"	6" HDPE	6.9"	Hole 10	10"	10"	10.25"	0"
Invert 5										
Invert 6										
Invert 7										
Invert 8										

**RIGHT-SIDE UP VIEW (int. dimensions)**

**UPSIDE-DOWN VIEW (int. dimensions)**



**INSIDE WALL DIMENSIONS**



Coating (Int): Coating (Ext):	Seam Up: Flat Seam Dn: n/a	Wall Thickness: 8" Floor Height: 8"	Height (Int): 24" Height (Ext): 32"	Weight (Net): 2784 lb Volume (Net): 0.71cu.yd
----------------------------------	-------------------------------	--	--	--