

**Job Name: 25-2468 Kerrick Elementary**  
**Job Location: Louisville, KY**  
**Contractor: KY Earthworks**

PC: J. Jarvis  
 TECH: J. Horsley  
 Plant: Beaver Dam



Structure ID: **ST 9-CB**  
 Spec: MSD  
 Type: CI DOUBLE  
 Size: 24" x 36"

Rim: 448.41'  
 Invert: 446.3'  
 Rim to Invert: 2.11'

Sump: 0"  
 Floor (Top): 446.3'  
 Floor Height: 8"

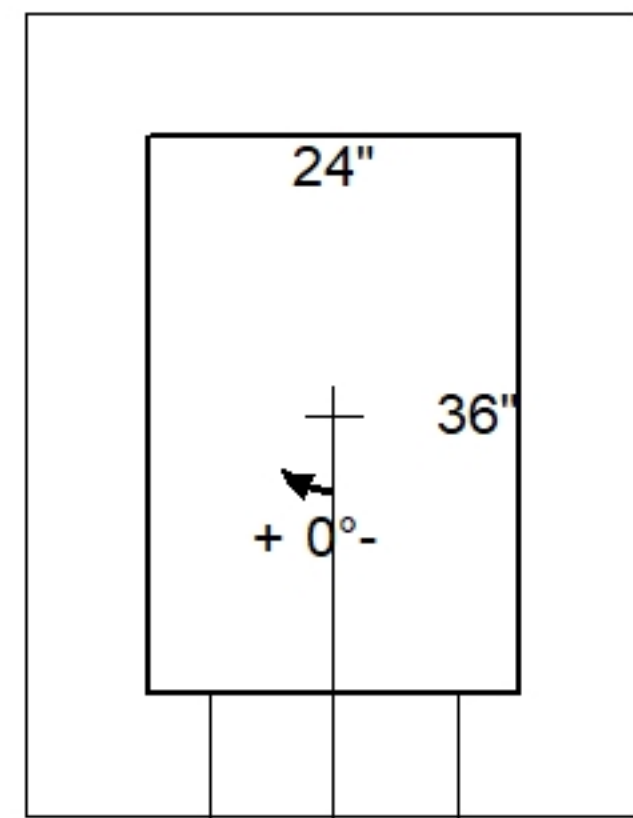
Floor (Bot): 445.633'  
 Overall Height: 2.75'  
 Slack: 0.32"

Structure Notes:  
 1. PER LOUISVILLE MSD/ ASTM C913 SPECIFICATIONS.  
 2. CONCRETE = 4,000 PSI AT 28 DAYS.  
 3. CASTING BY OTHERS (HOE 470 F/G/H).

REINFORCING PER ASTM A615 (GRADE 60).  
 - WALLS (As .31) #5 BARS AT 12" C.C.E.W.  
 - FLOOR (As .31) #5 BARS AT 12" C.C.E.W.

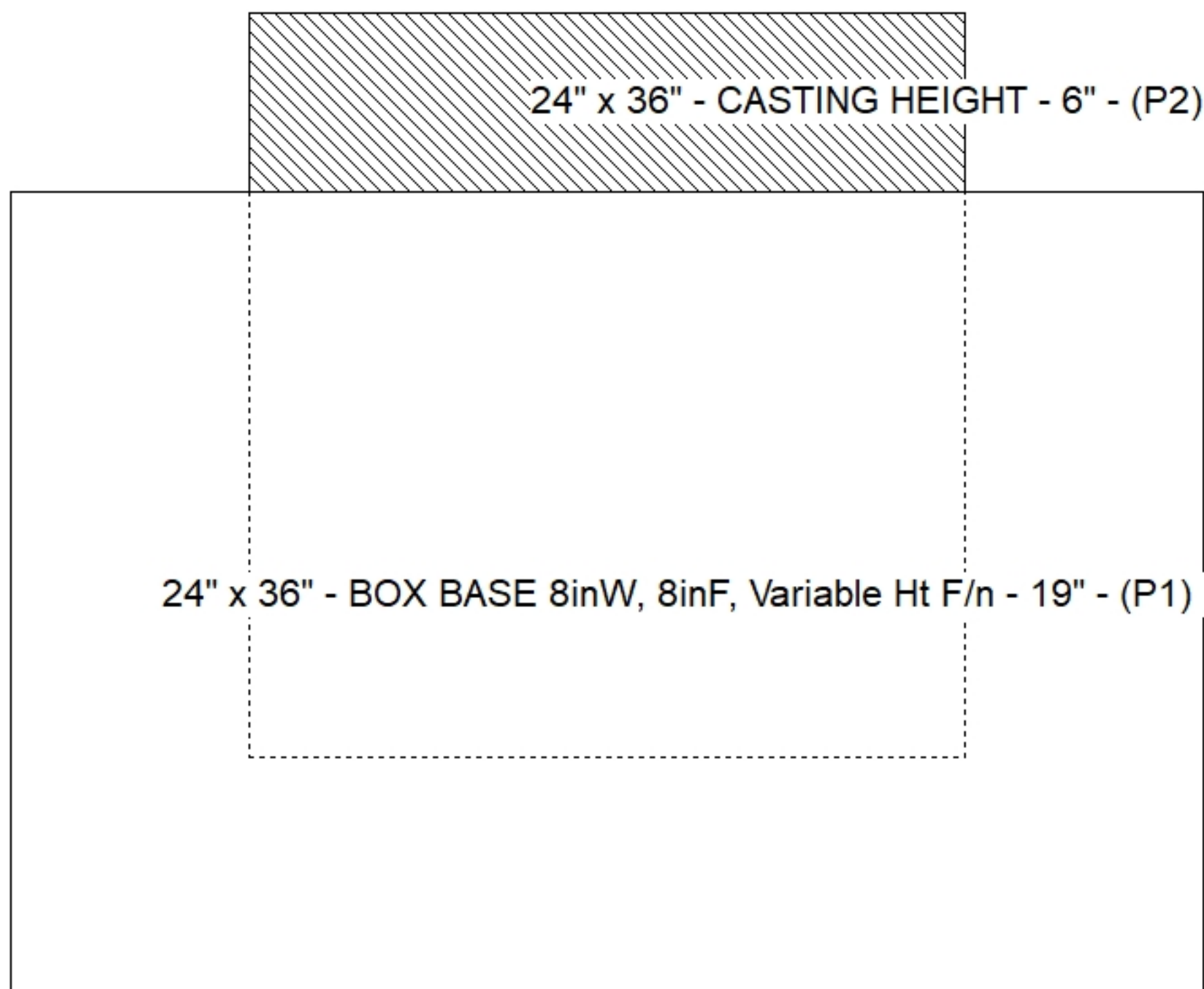
STRUCTURE SUMMARY:

P2) 24" x 36" - CASTING HEIGHT - 6"	0 lb
P1) 24" x 36" - BOX BASE 8inW, 8inF, Variable Ht F/n - 19"	3200 lb
1) 24" x 36" - SGL 1"x14.5' Butyl	0 lb
1) Hole - 16	0 lb
<b>Structure Total:</b>	<b>3200 lb</b>

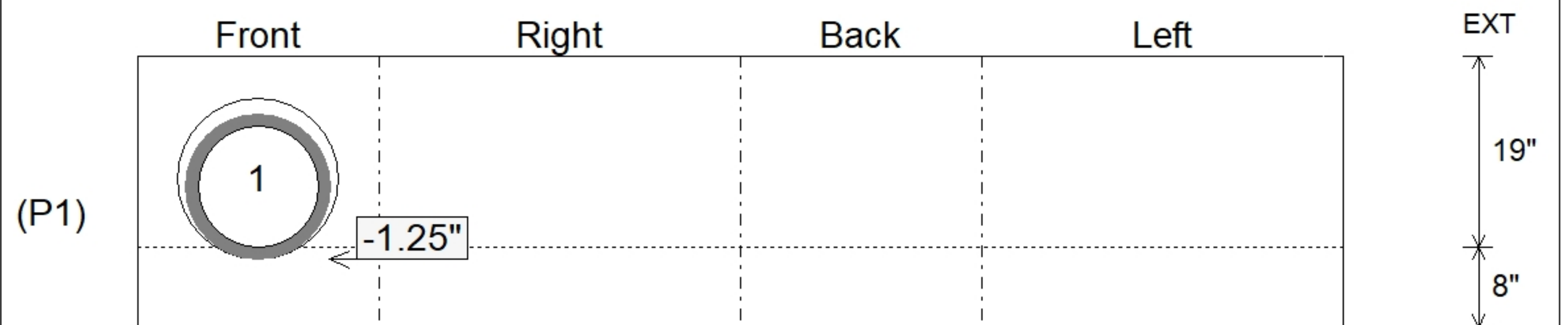


Invert: 1  
 Degree: 0°

Position	Elev	Angle	Pipe	Pipe OD	Hole	Connector	Up ( )	Ref
Rim	448.41'							
Reducer								
Invert 1	446.3'	0°	12" HDPE	14.5"	16"	Hole 16	-1.25"	P1
Invert 2								
Invert 3								
Invert 4								
Invert 5								
Invert 6								
Invert 7								
Invert 8								



**Cast (Int. Dim.) - Interior Dimensions**



Submittal Drawing  
 11/14/2025 2:16:30 PM

SUBMITTAL  
 APPROVED BY: