

**Structure ID: ST 6-CB**

**P1 BX2436-08BVF**

**BOX BASE 8inW, 8inF, Variable Ht F/n**

P2) 24" x 36" - CASTING HEIGHT - 6" P1) 24" x 36" - BOX BASE 8inW, 8inF, Variable Ht F/n - 28" 1) 24" x 36" - SGL 1"x14.5' Butyl 1) Hole - 20 1) Hole - 16	0 lb 3875 lb 0 lb 0 lb 0 lb ----- Structure Total: 3875 lb
--	--

**Structure Notes:**

1. PER LOUISVILLE MSD/ ASTM C913 SPECIFICATIONS.
2. CONCRETE = 4,000 PSI AT 28 DAYS.
3. CASTING BY OTHERS (HOE 470 F/G/H).

REINFORCING PER ASTM A615 (GRADE 60)..

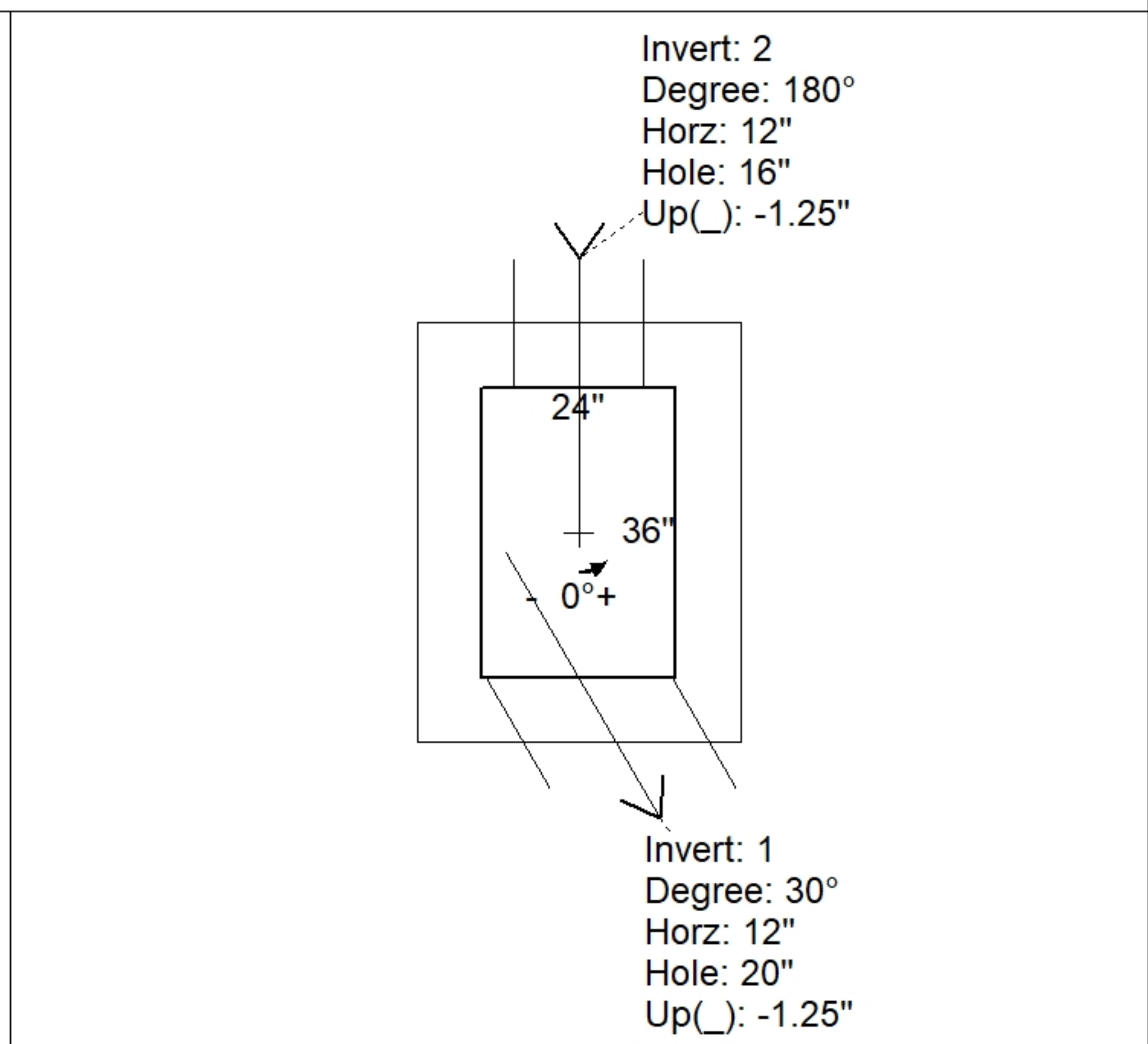
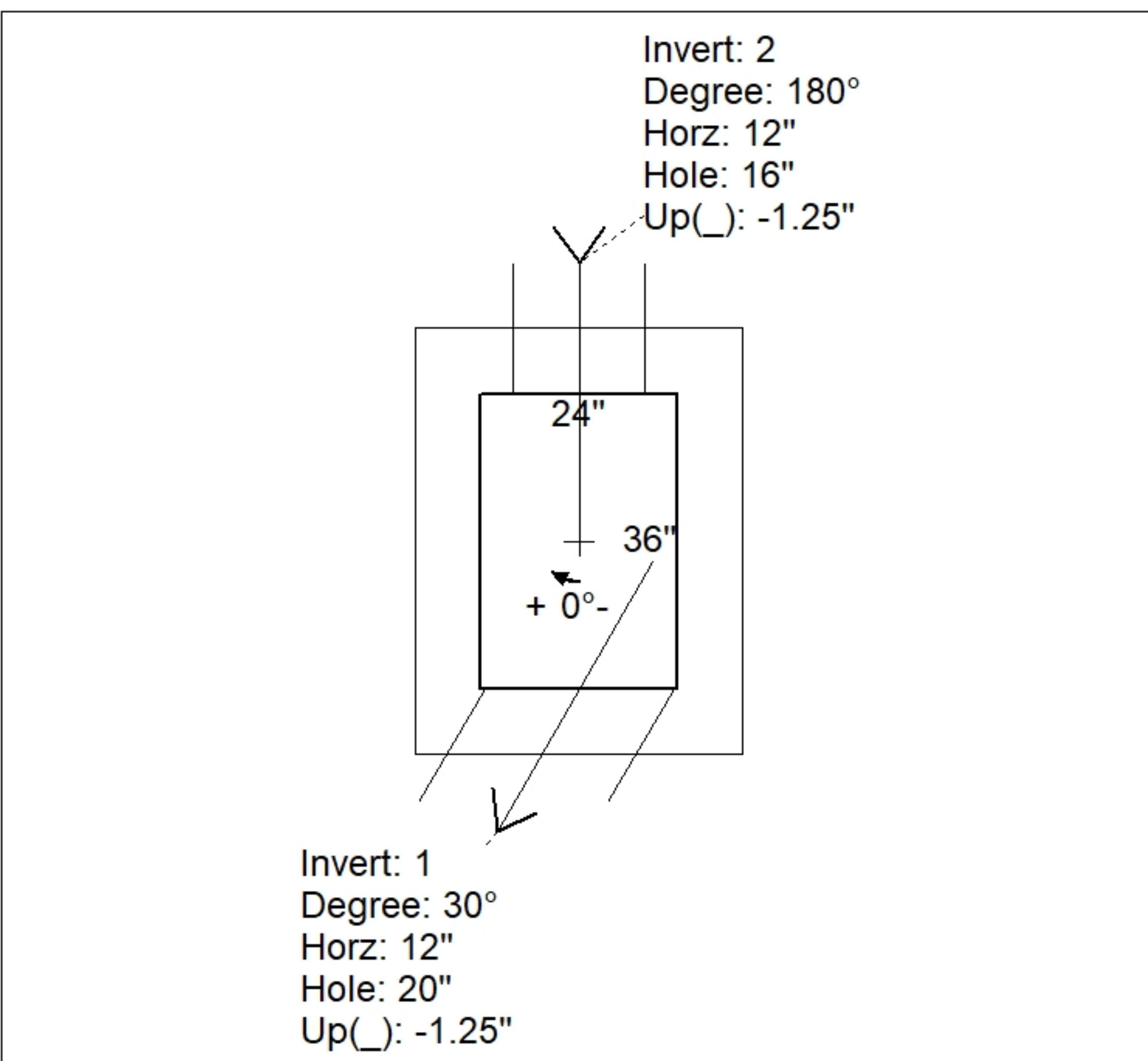
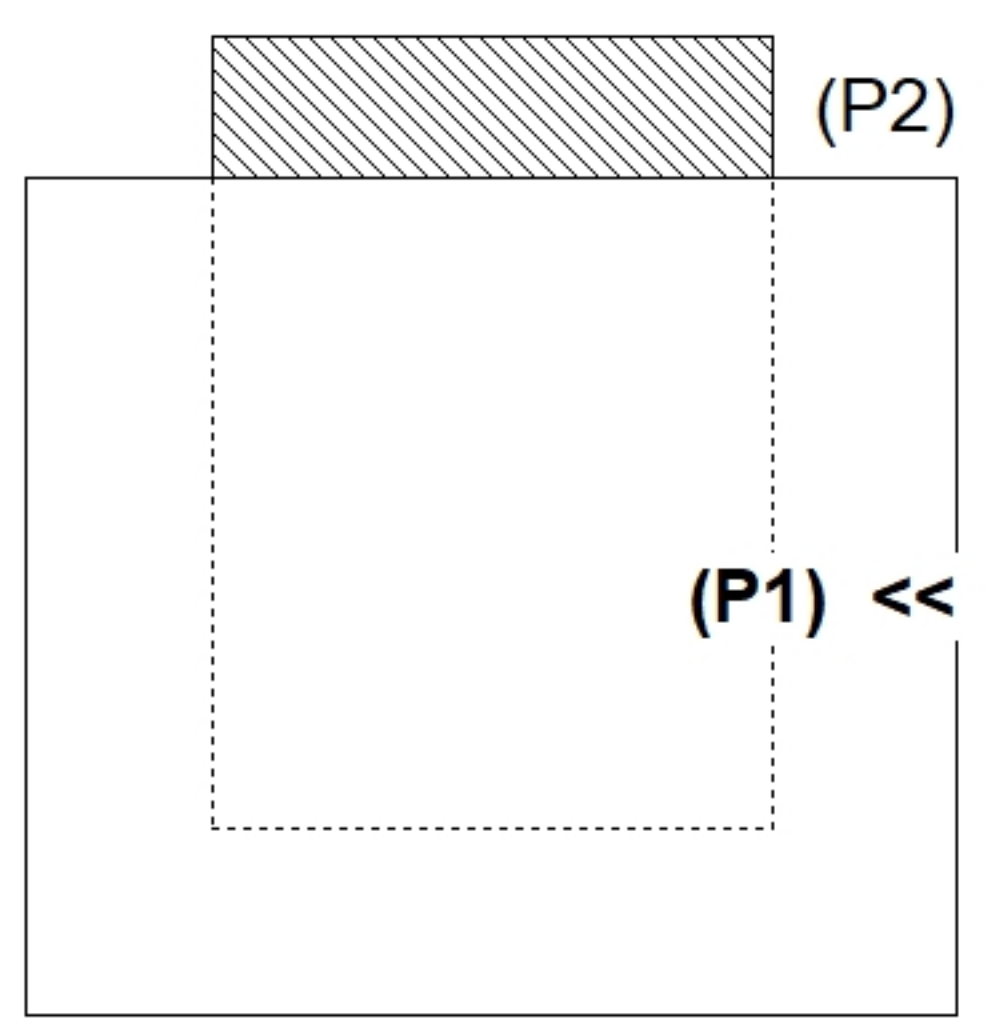
- WALLS (As .31) #5 BARS AT 12" C.C.E.W.
- FLOOR (As .31) #5 BARS AT 12" C.C.E.W.

Rim: 448.46'    Rim to Invert: 2.86'    Slack: 0.32"    Sump: 0"    Step Position:

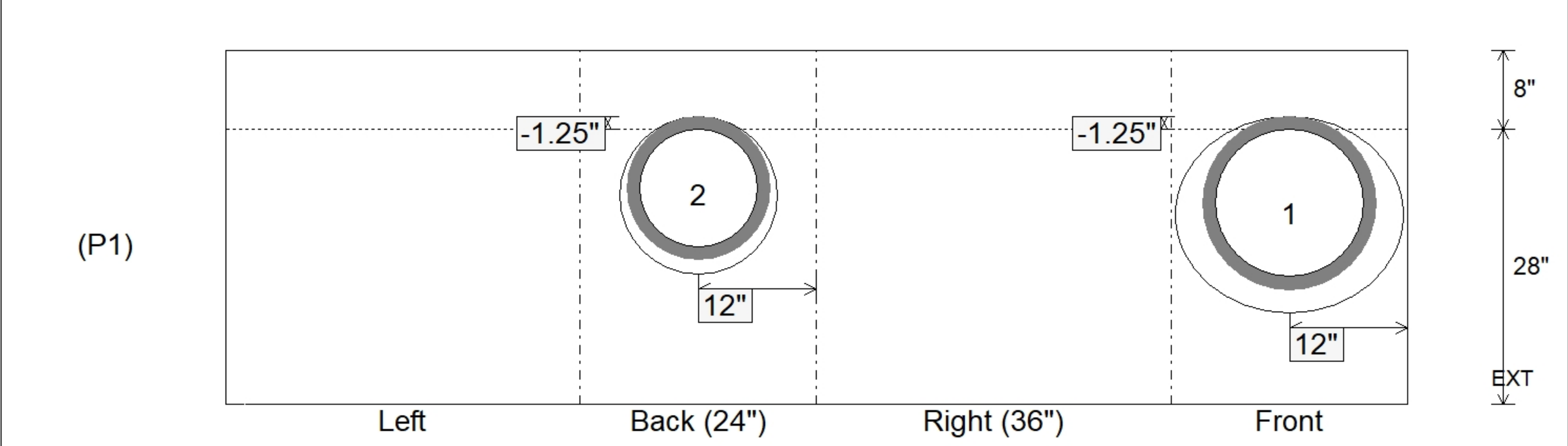
Position	Elev	Angle	Ext. (cw)	Pipe	Pipe OD	Connector	Hole	Horz Size	Up ( )	Offset
Invert 1	445.6'	30°	24.625"	15" HDPE	17.6"	Hole 20	20"	23.094"	-1.25"	-9"
Invert 2	445.6'	180°	20"	12" HDPE	14.5"	Hole 16	16"	16"	-1.25"	0"
Invert 3										
Invert 4										
Invert 5										
Invert 6										
Invert 7										
Invert 8										

RIGHT-SIDE UP VIEW (int. dimensions)

UPSIDE-DOWN VIEW (int. dimensions)



INSIDE WALL DIMENSIONS



Coating (Int): Coating (Ext):	Seam Up: Flat Seam Dn: n/a	Wall Thickness: 8" Floor Height: 8"	Height (Int): 28" Height (Ext): 36"	Weight (Net): 3875 lb Volume (Net): 0.99cu.yd
----------------------------------	-------------------------------	--	--	--