

Structure ID: ST 5-CB

P1 MH048BAVF

MH BASE Custom Ht F/n

P3) 24" x 36" - CASTING HEIGHT - 6" P2) 48" - MH FLAT TOP w/24"x36" Hole LOU-MSD F/F - 7" P1) 48" - MH BASE Custom Ht F/n - 27" 1) 48" - SGL 1"x14.5' Butyl (2x) 2) Hole - 20	0 lb 1044 lb 2946 lb 0 lb 0 lb ----- Structure Total: 3990 lb
---	---

Structure Notes:

1. PER LOUISVILLE MSD/ ASTM C478 SPECIFICATIONS.
2. CONCRETE = 4,000 PSI AT 28 DAYS.
3. CASTING BY OTHERS (HOE MC-470 F/C).

REINFORCING PER ASTM A615 (GRADE 60).

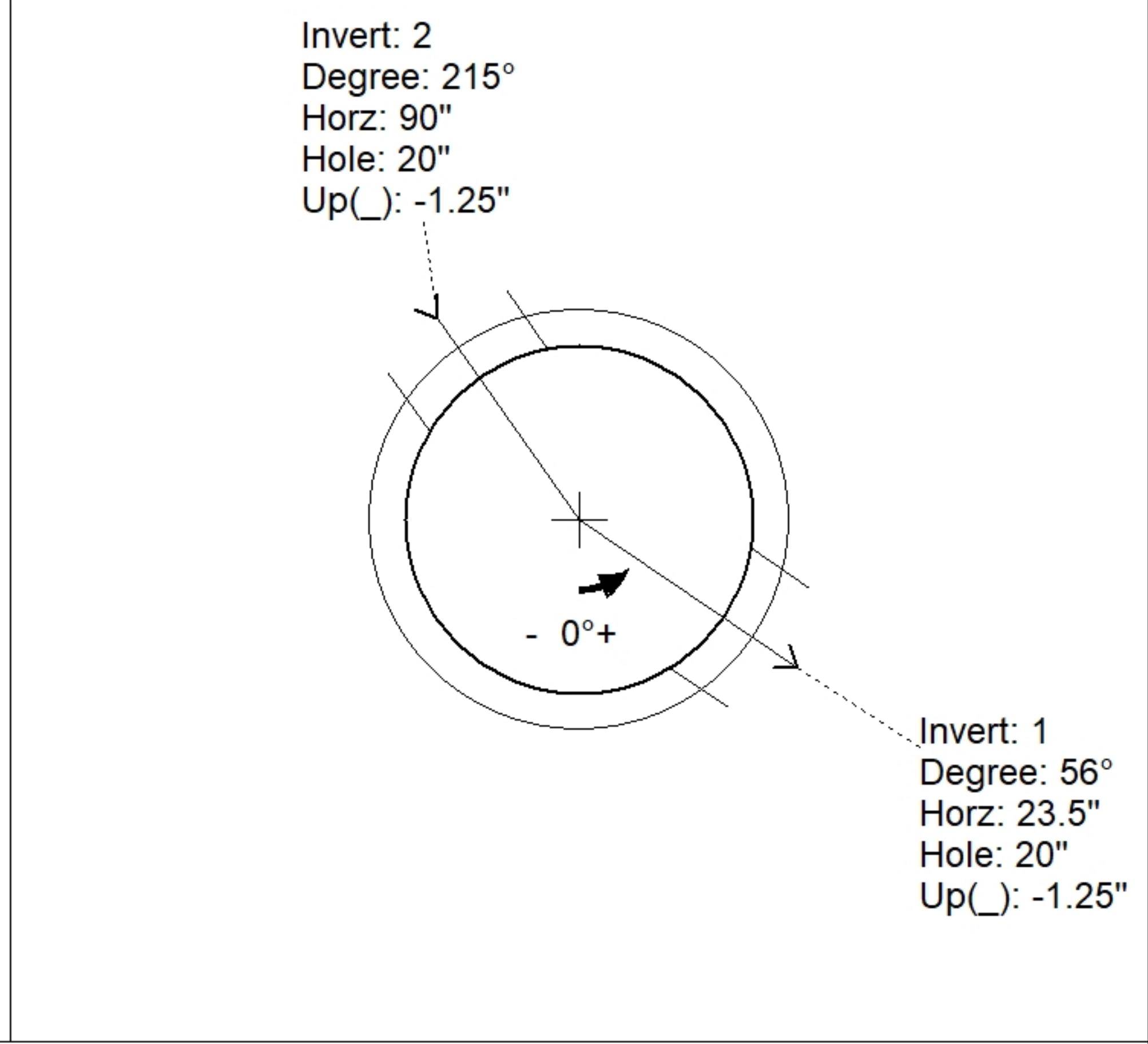
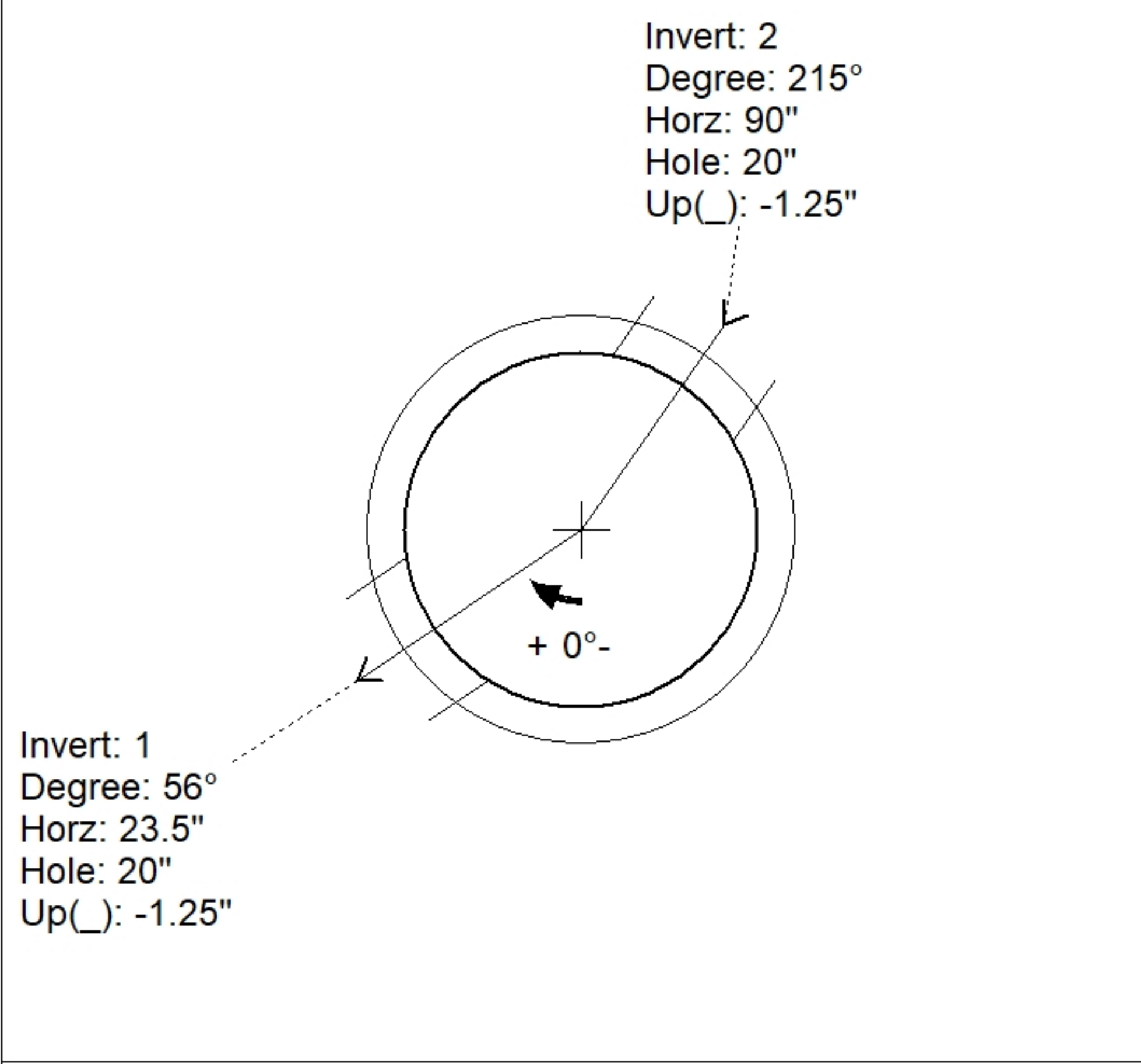
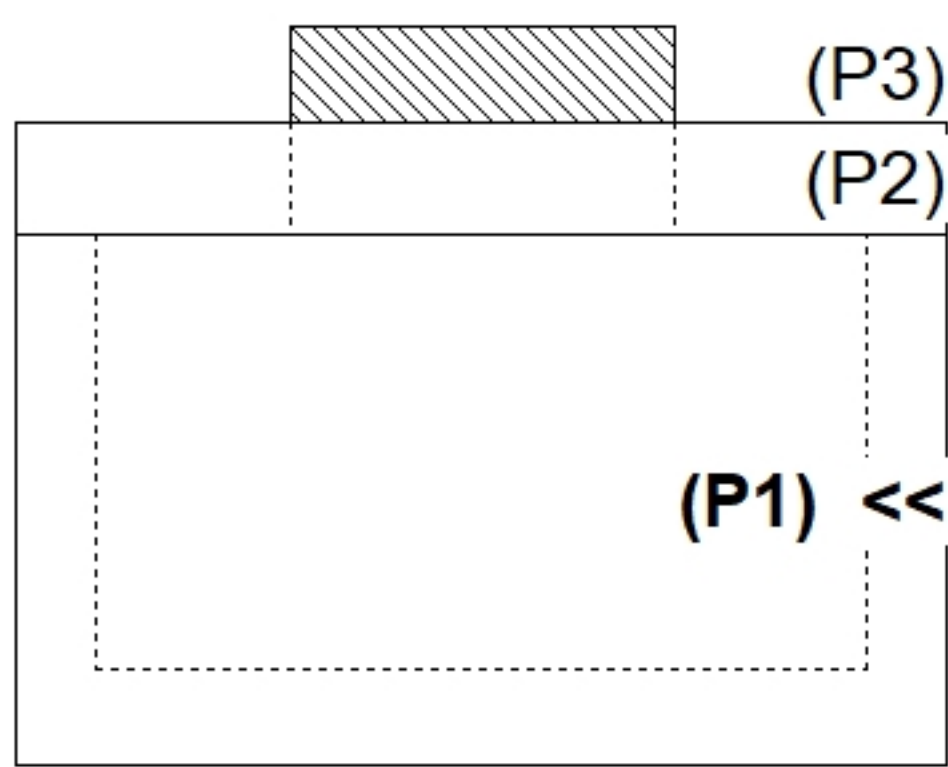
- TOP SLAB (As .62) #5 BARS AT 6" C.C.E.W..
- RISER/WALLS (As .12)
- FLOOR (As .31) #5 BARS AT 12" C.C.E.W.

Rim: 448.66' Rim to Invert: 3.36' Slack: 0.32" Sump: 0" Step Position:

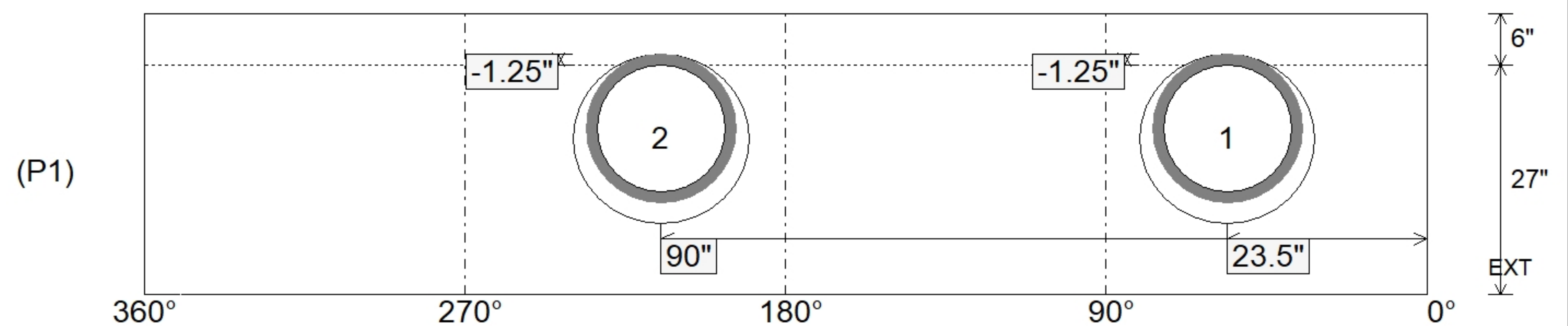
Position	Elev	Angle	Ext. (cw)	Pipe	Pipe OD	Connector	Hole	Horz Size	Up ()	Offset
Invert 1	445.3'	56°	28.375"	15" HDPE	17.6"	Hole 20	20"	20.629"	-1.25"	0"
Invert 2	445.3'	215°	108.875"	15" HDPE	17.6"	Hole 20	20"	20.629"	-1.25"	0"
Invert 3										
Invert 4										
Invert 5										
Invert 6										
Invert 7										
Invert 8										

RIGHT-SIDE UP VIEW (int. dimensions)

UPSIDE-DOWN VIEW (int. dimensions)



INSIDE WALL DIMENSIONS



Coating (Int): Coating (Ext):	Seam Up: Flat Seam Dn: n/a	Wall Thickness: 5" Floor Height: 6"	Height (Int): 27" Height (Ext): 33"	Weight (Net): 2946 lb Volume (Net): 0.75cu.yd
----------------------------------	-------------------------------	--	--	--