



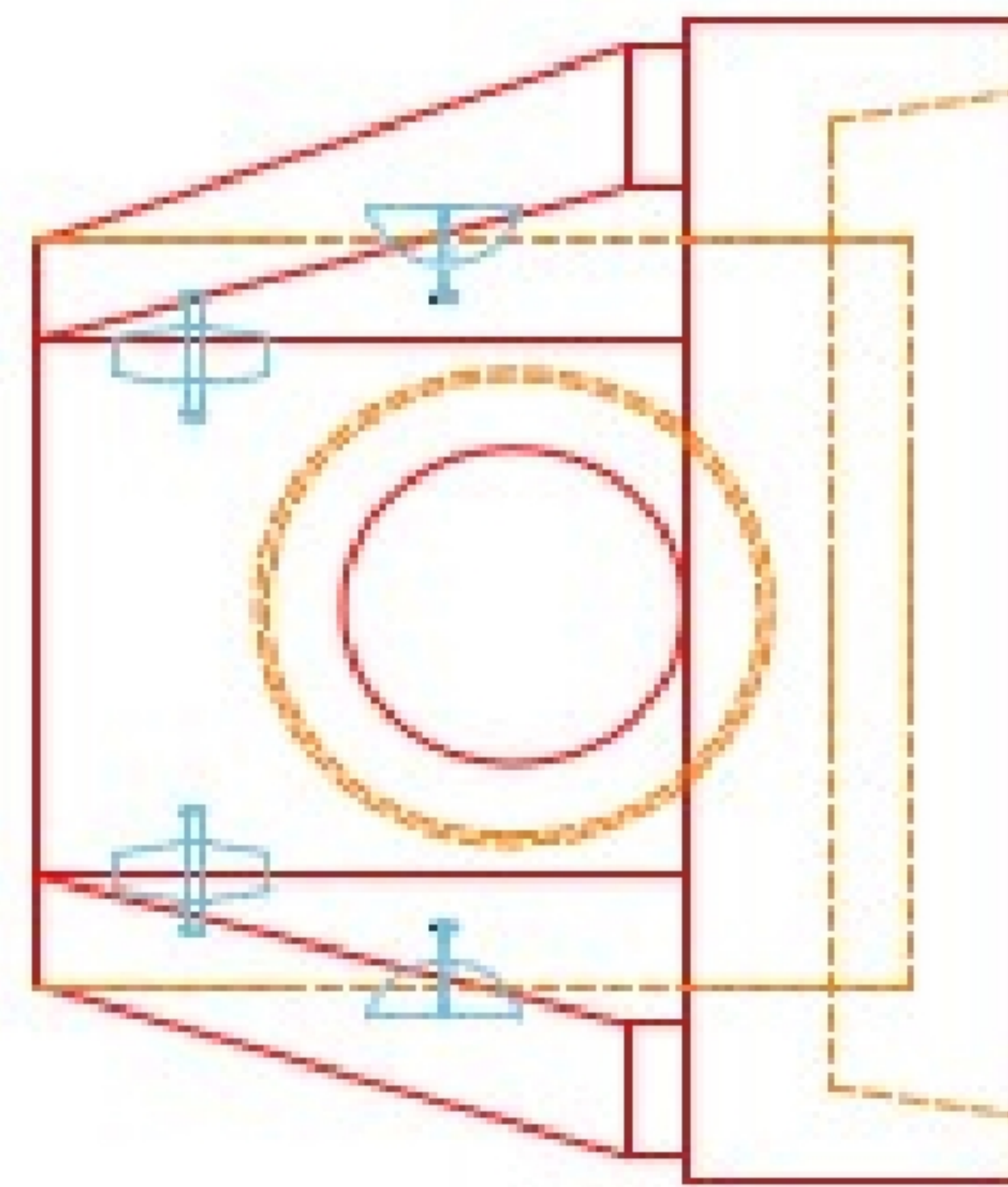
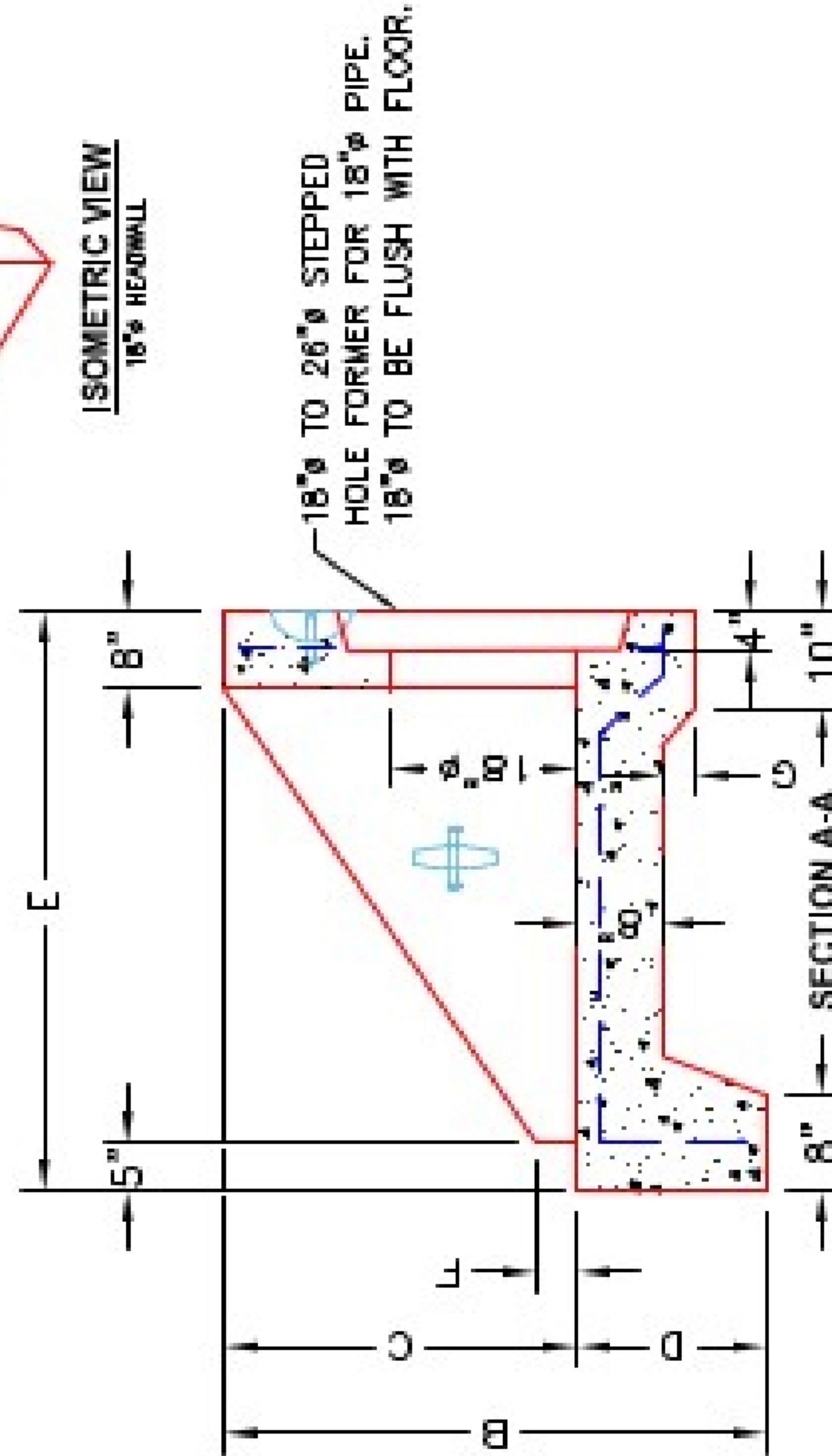
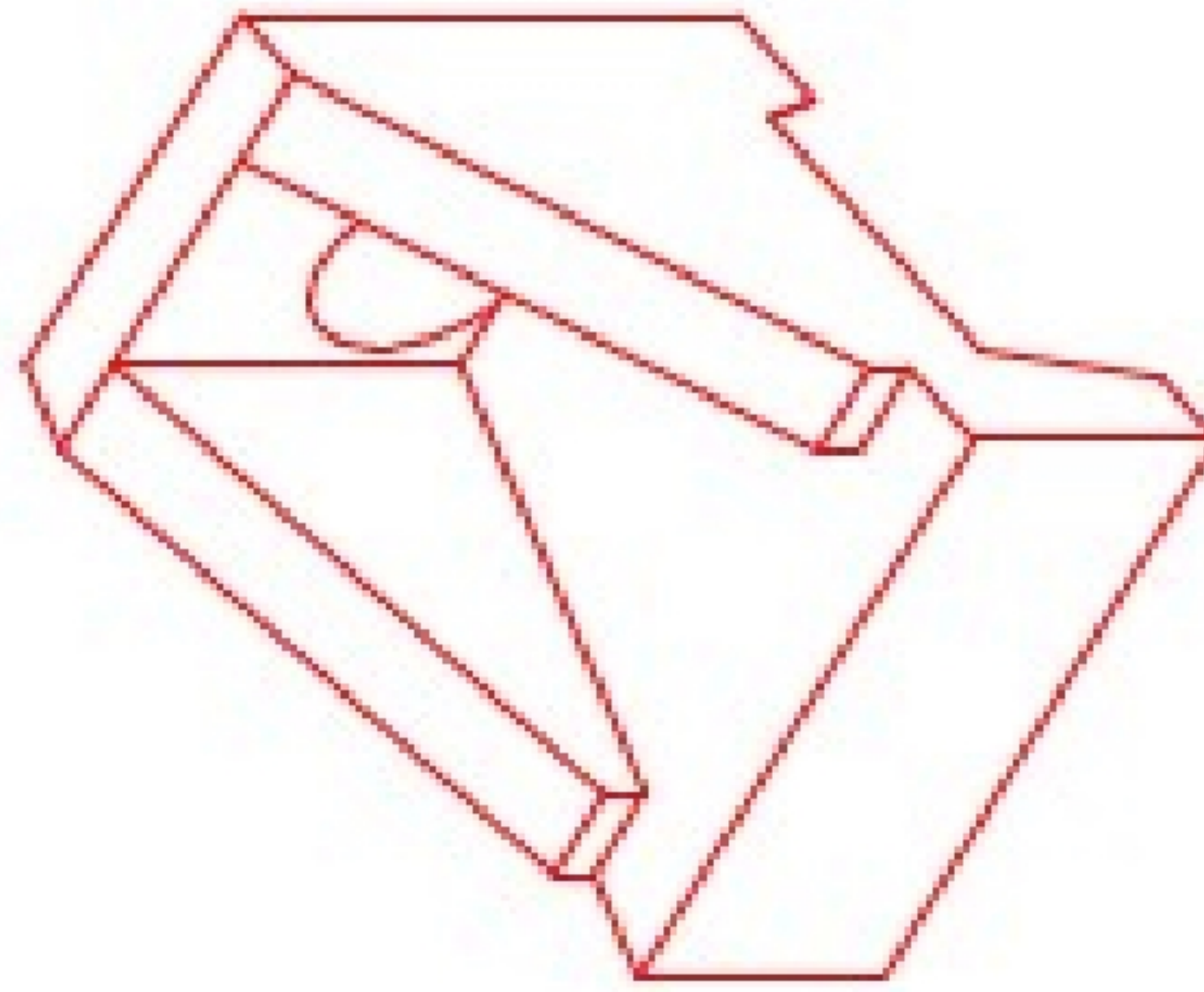
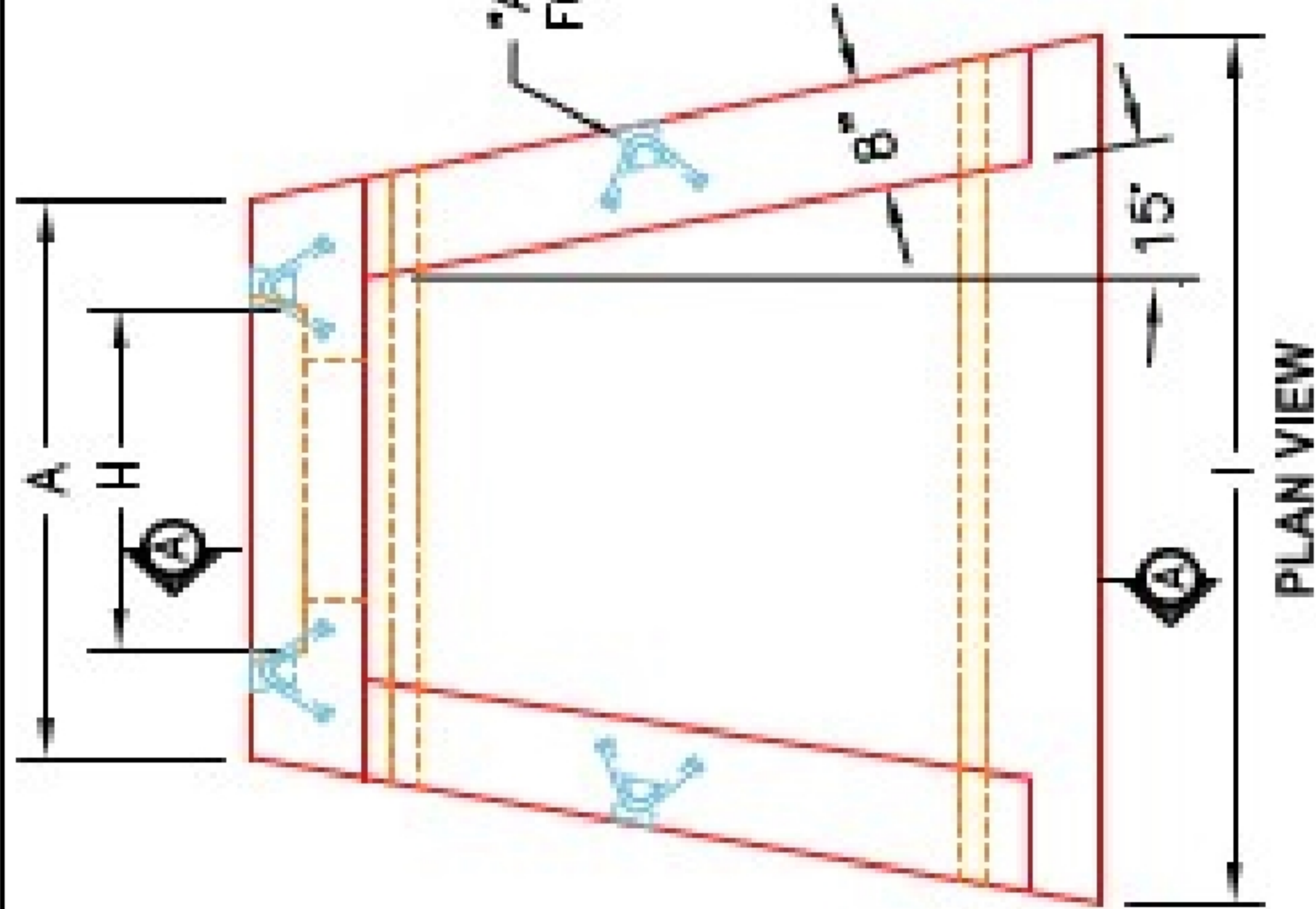
**Structure ID: ST 41-HDWL**

**P1 HWSF18**

**18" - SLOPED & FLARED HEADWALL F/F**

DIMENSIONS							WEIGHT			
PIPE Ø	A	B	C	D	E	F	G	H	I	WEIGHT
18"	3'-0"	3'-8"	2'-3"	1'-6"	4'-6"	4"	2'-2"	2'-2"	5'-2"	3,640 LBS.

"A-ANCHOR" LIFTING SYSTEM FOR PLANT & FIELD HANDLING.



**NOTES:**

1. CONCRETE: 4500 PSI @ 28 DAYS.
2. REINFORCING: #4 BAR @ 12" C/C E.W.-GRADE 60. (WITH 2" CONCRETE COVER MINIMUM)
3. REINFORCING BARS TO BE TACK WELDED OR TIED.
4. DRAWING TO BE USED IN CONJUNCTION WITH KYTC STD. DRAWING RDH-020-03 AND THE STANDARD SPECIFICATIONS FOR ROAD AND BRIDGE CONSTRUCTION.
5. CHAMFER ON ALL EXPOSED EDGES.

**PRODUCTION WORK ORDER**

- QUALITY CONTROL CHECKLIST
- ALL DIMENSIONS CORRECT.
  - LIFTERS INSTALLED.
  - STEPPED HF CORRECT SIZE.
  - REINFORCING CORRECT.
  - DISSIPATOR BLOCK INSTALLED.
  - EDGES CHAMFERED.
  - ALL PATCHWORK ACCEPTABLE.



DESCRIPTION: KYTC 18" Ø SLOPED & FLARED HEADWALL	PRODUCT I.D.: HWSF18
CUSTOMER: STOCK	PRODUCT VIEW: RIGHT SIDE UP
PROJECT: STOCK INVENTORY	PLANT: BEAVER DAM, KY.
STRUCTURE ID.: N/A	WEIGHT: 3,640 LBS.
QUOTE/SALES ORDER NO: N/A	TOP SECTION JOINT: N/A
CHECK: J.H. ROSS, PE	BASE SECTION JOINT: N/A
DATE: REV. 4/22/24	QC CHECK INITIALS:
SCALE: NTS	
PG. 1 of 1	