



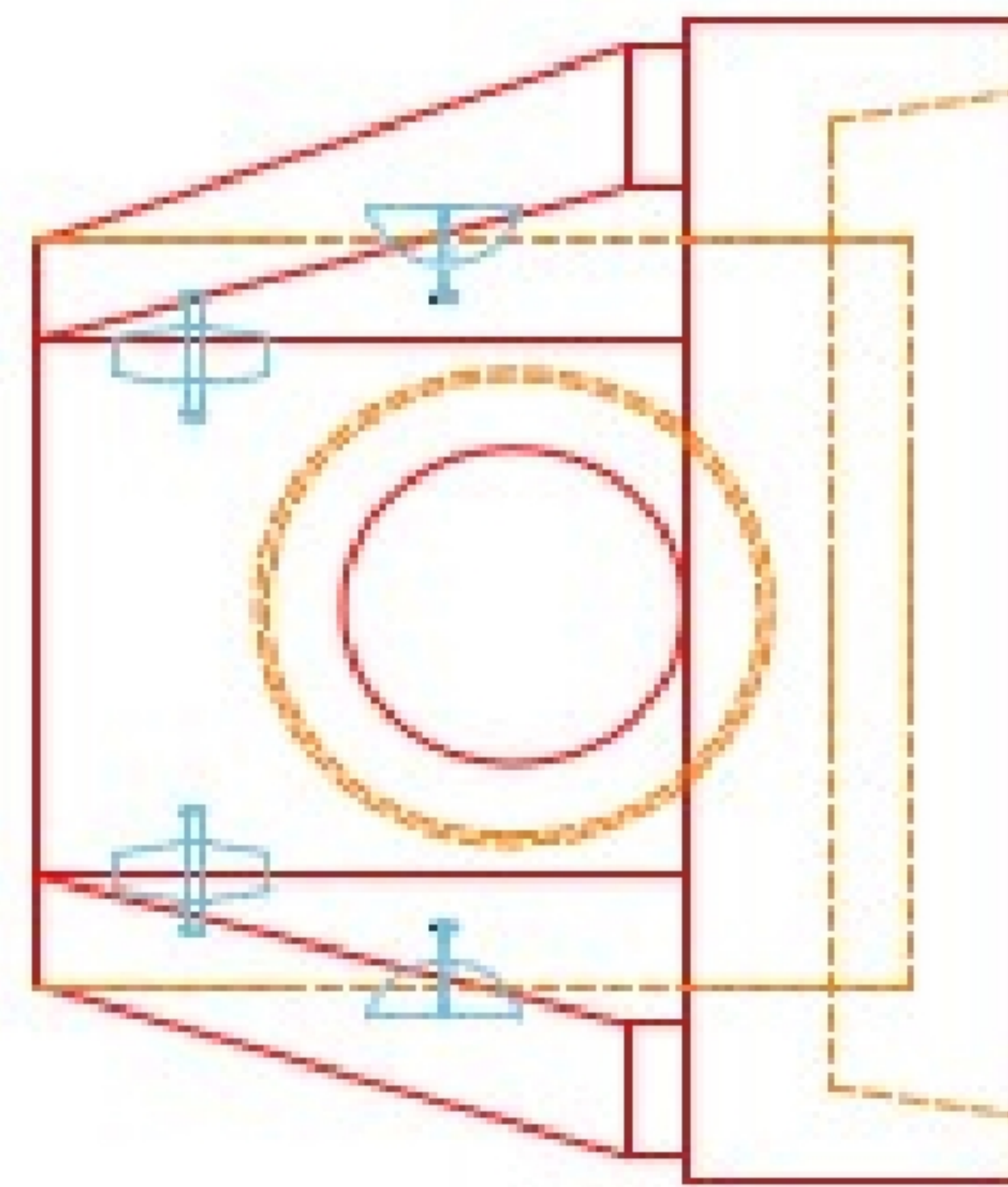
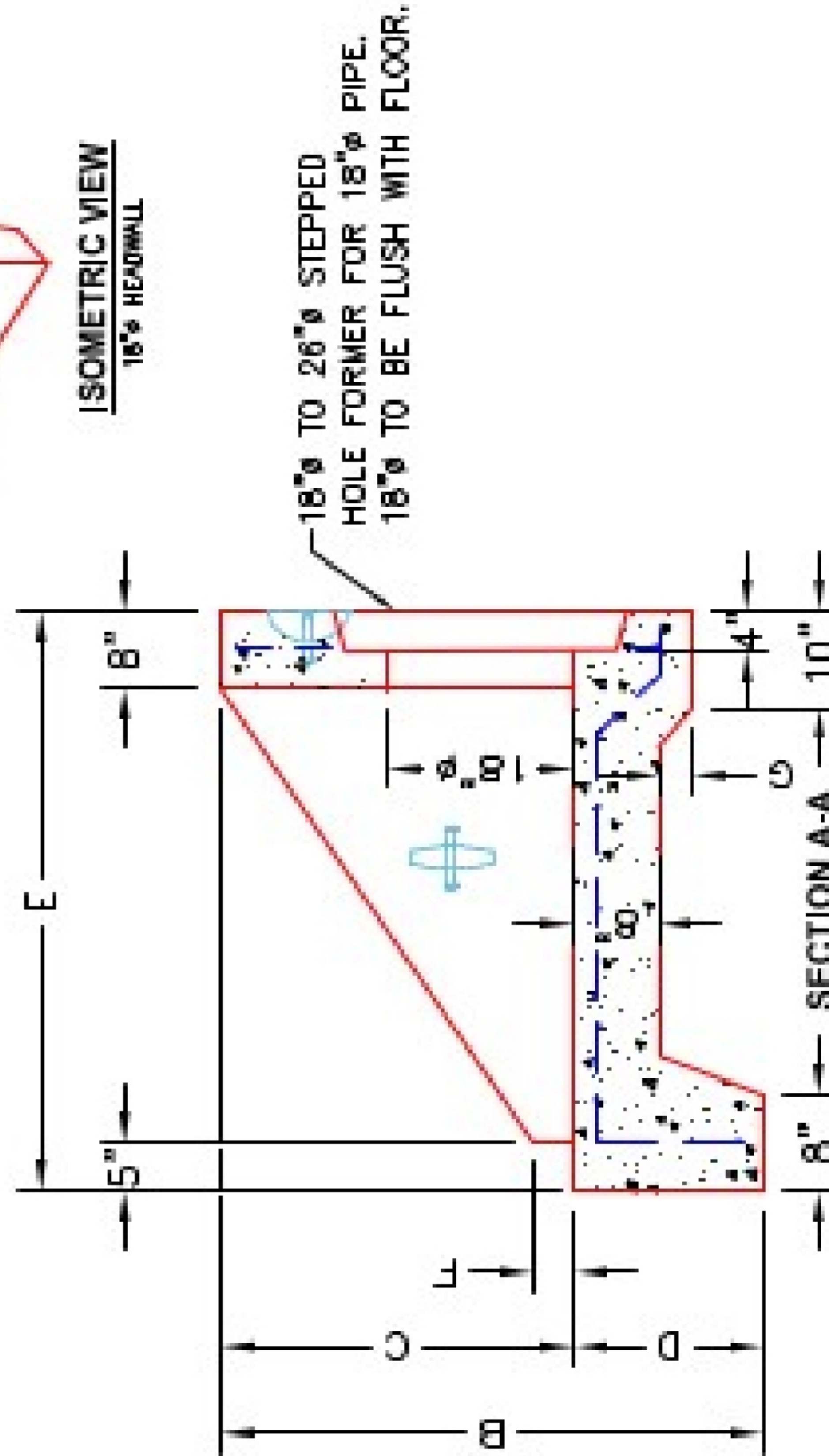
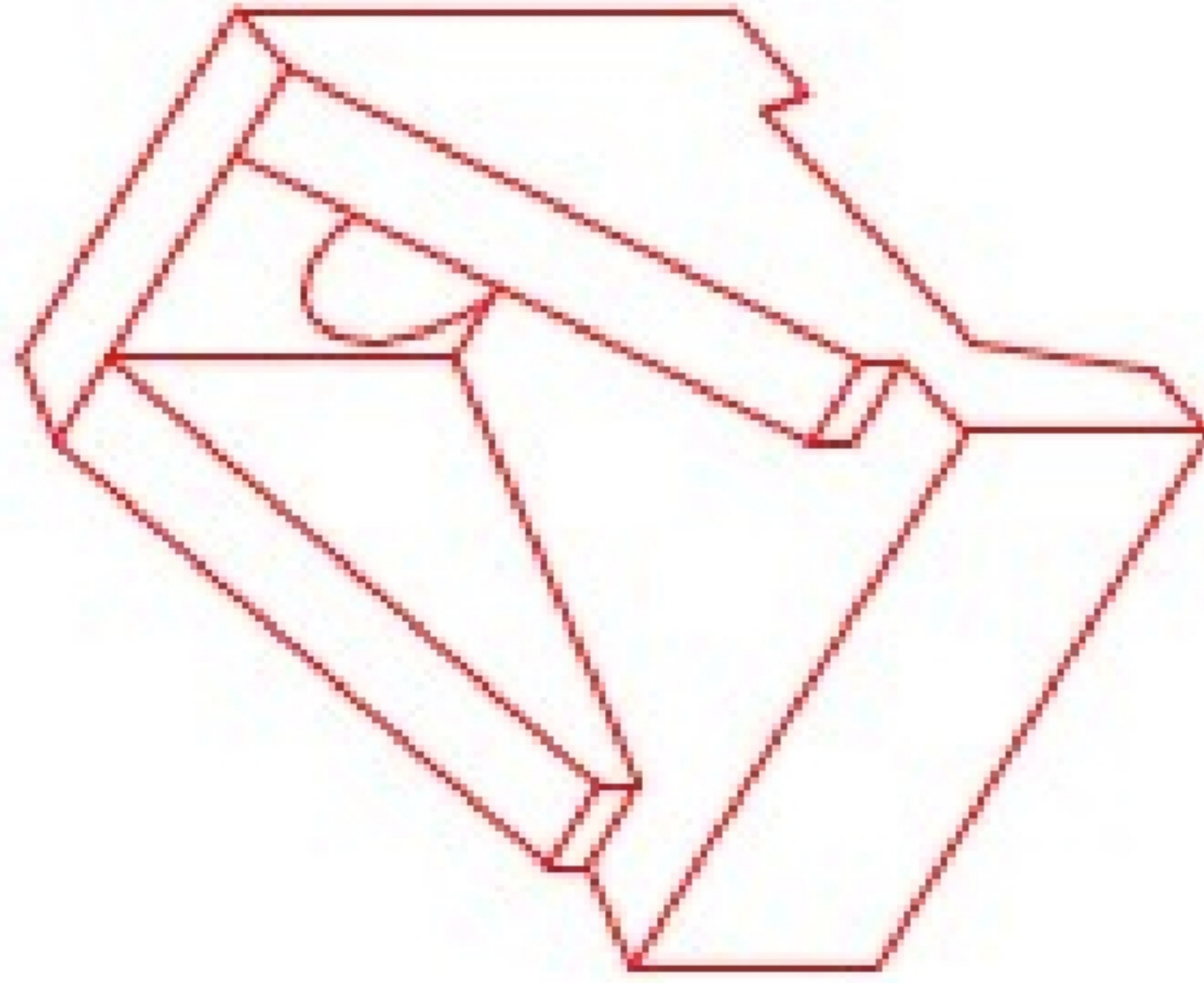
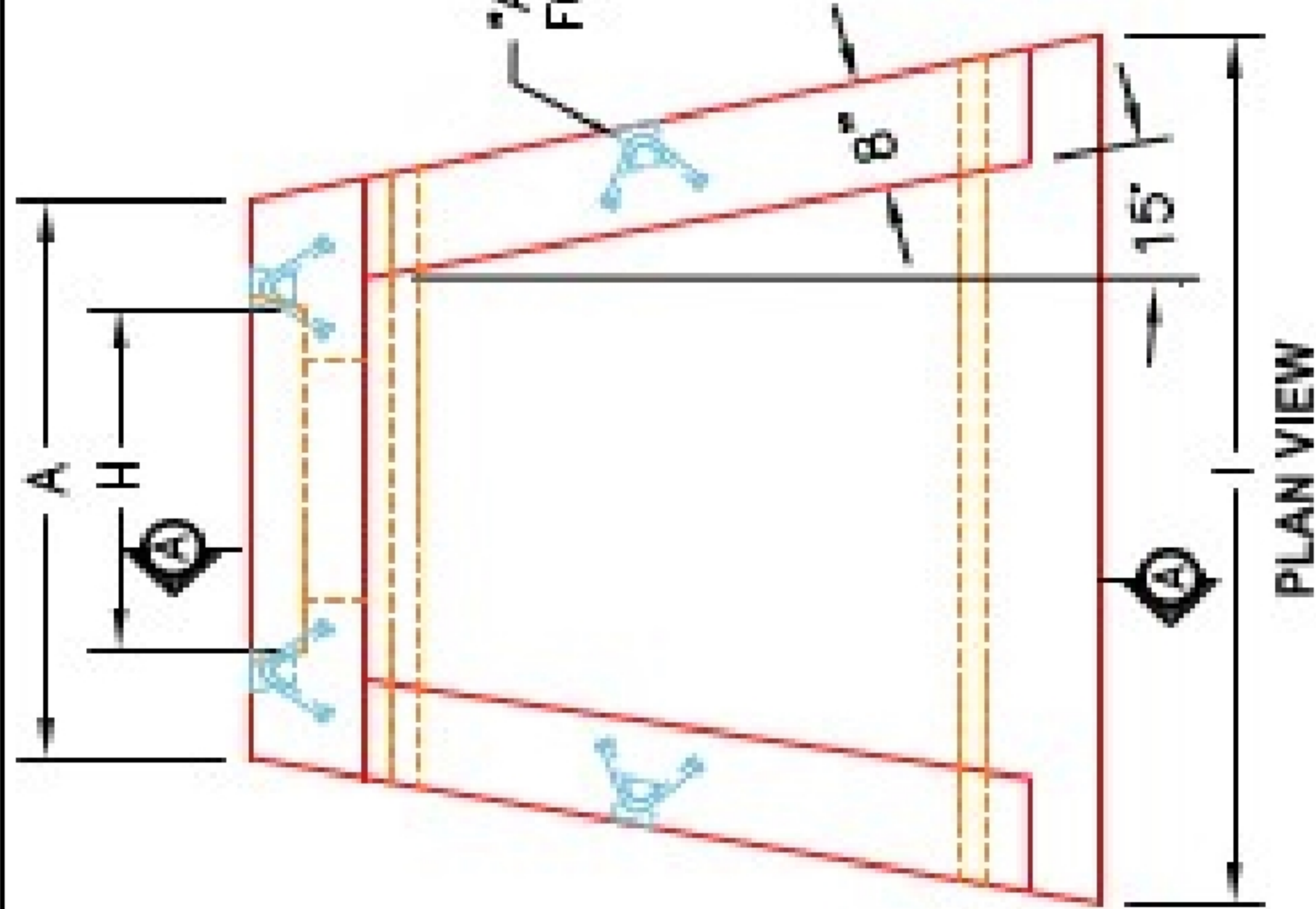
Structure ID: ST 40-HDWL

P1 HWSF18

18" - SLOPED & FLARED HEADWALL F/F

| DIMENSIONS | | | | | | | | | | |
|------------|-------|-------|-------|-------|-------|----|-------|-------|-------|------------|
| PIPE Ø | A | B | C | D | E | F | G | H | I | WEIGHT |
| 18" | 3'-0" | 3'-8" | 2'-3" | 1'-6" | 4'-6" | 4" | 2'-2" | 2'-2" | 5'-2" | 3,640 LBS. |

"A-ANCHOR" LIFTING SYSTEM FOR PLANT & FIELD HANDLING.



NOTES:

1. CONCRETE: 4500 PSI @ 28 DAYS.
2. REINFORCING: #4 BAR @ 12" C/C E.W.-GRADE 60. (WITH 2" CONCRETE COVER MINIMUM)
3. REINFORCING BARS TO BE TACK WELDED OR TIED.
4. DRAWING TO BE USED IN CONJUNCTION WITH KYTC STD. DRAWING RDH-020-03 AND THE STANDARD SPECIFICATIONS FOR ROAD AND BRIDGE CONSTRUCTION.
5. CHAMFER ON ALL EXPOSED EDGES.

PRODUCTION WORK ORDER

- QUALITY CONTROL CHECKLIST
- ALL DIMENSIONS CORRECT.
 - LIFTERS INSTALLED.
 - STEPPED HF CORRECT SIZE.
 - REINFORCING CORRECT.
 - DISSIPATOR BLOCK INSTALLED.
 - EDGES CHAMFERED.
 - ALL PATCHWORK ACCEPTABLE.



| |
|--|
| DESCRIPTION: KYTC 18" Ø SLOPED & FLARED HEADWALL |
| CUSTOMER: STOCK |
| PROJECT: STOCK INVENTORY |
| STRUCTURE I.D.: N/A |
| QUOTE/SALES ORDER NO: N/A |
| CHECK: J.H. ROSS, PE |
| DATE: REV. 4/22/24 |
| SCALE: NTS |
| PG. 1 of 1 |

| |
|-----------------------------|
| PRODUCT I.D.: HWSF18 |
| PRODUCT VIEW: RIGHT SIDE UP |
| PLANT: BEAVER DAM, KY. |
| WEIGHT: 3,640 LBS. |
| TOP SECTION JOINT: N/A |
| BASE SECTION JOINT: N/A |
| QC CHECK INITIALS: |