

**Job Name: 25-2468 Kerrick Elementary**  
**Job Location: Louisville, KY**  
**Contractor: KY Earthworks**

PC: J. Jarvis  
 TECH: J. Horsley  
 Plant: Beaver Dam



Structure ID: **ST 4-CB**  
 Spec: MSD  
 Type: MH TYPE 1  
 Size: 48"

Rim: 448.72'  
 Invert: 445'  
 Rim to Invert: 3.72'

Sump: 0"  
 Floor (Top): 445'  
 Floor Height: 6"

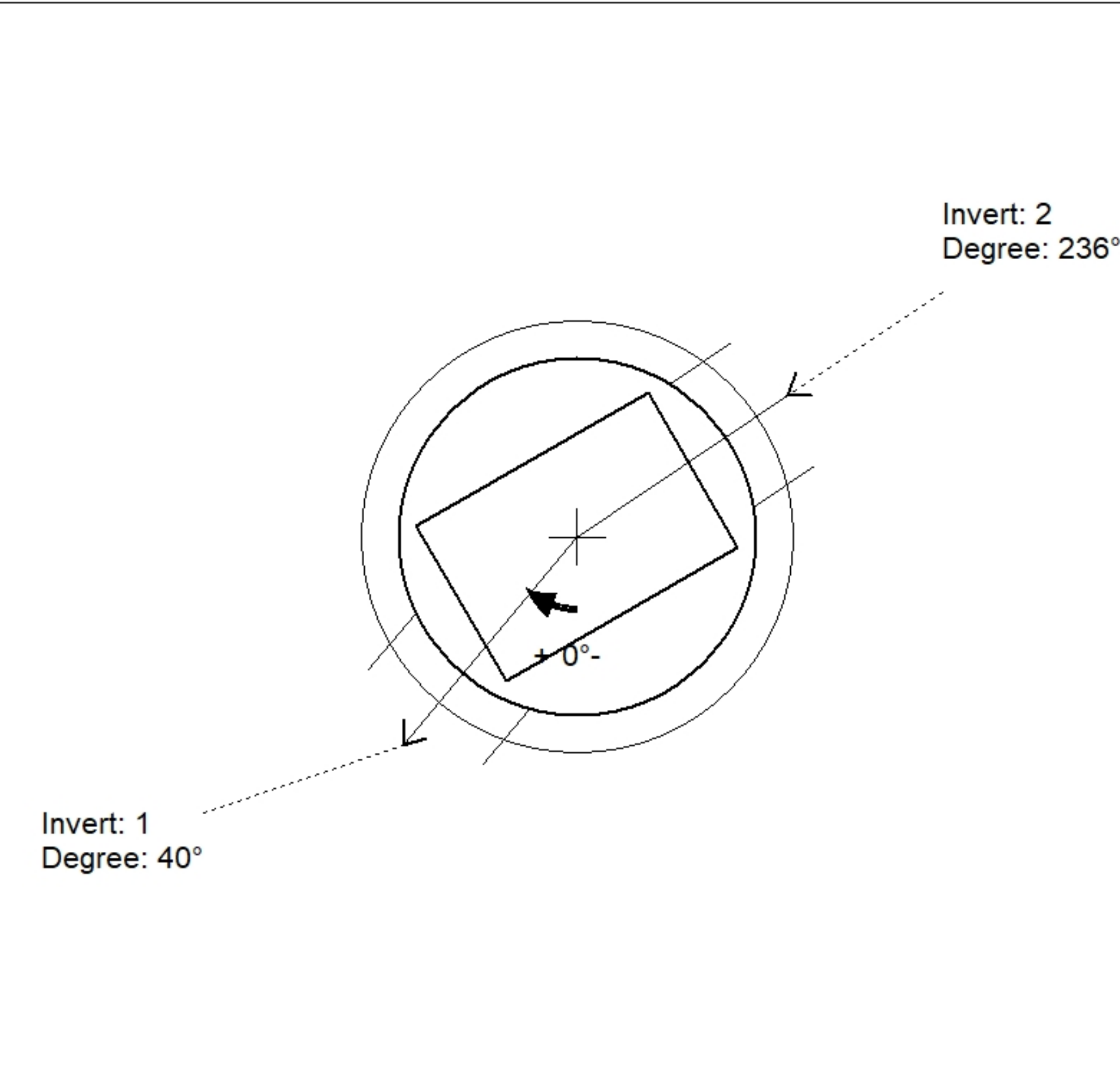
Floor (Bot): 444.5'  
 Overall Height: 4.167'  
 Slack: 0.64"

**Structure Notes:**  
 1. PER LOUISVILLE MSD/ ASTM C478 SPECIFICATIONS.  
 2. CONCRETE = 4,000 PSI AT 28 DAYS.  
 3. CASTING BY OTHERS (HOE MC-470 F/C).

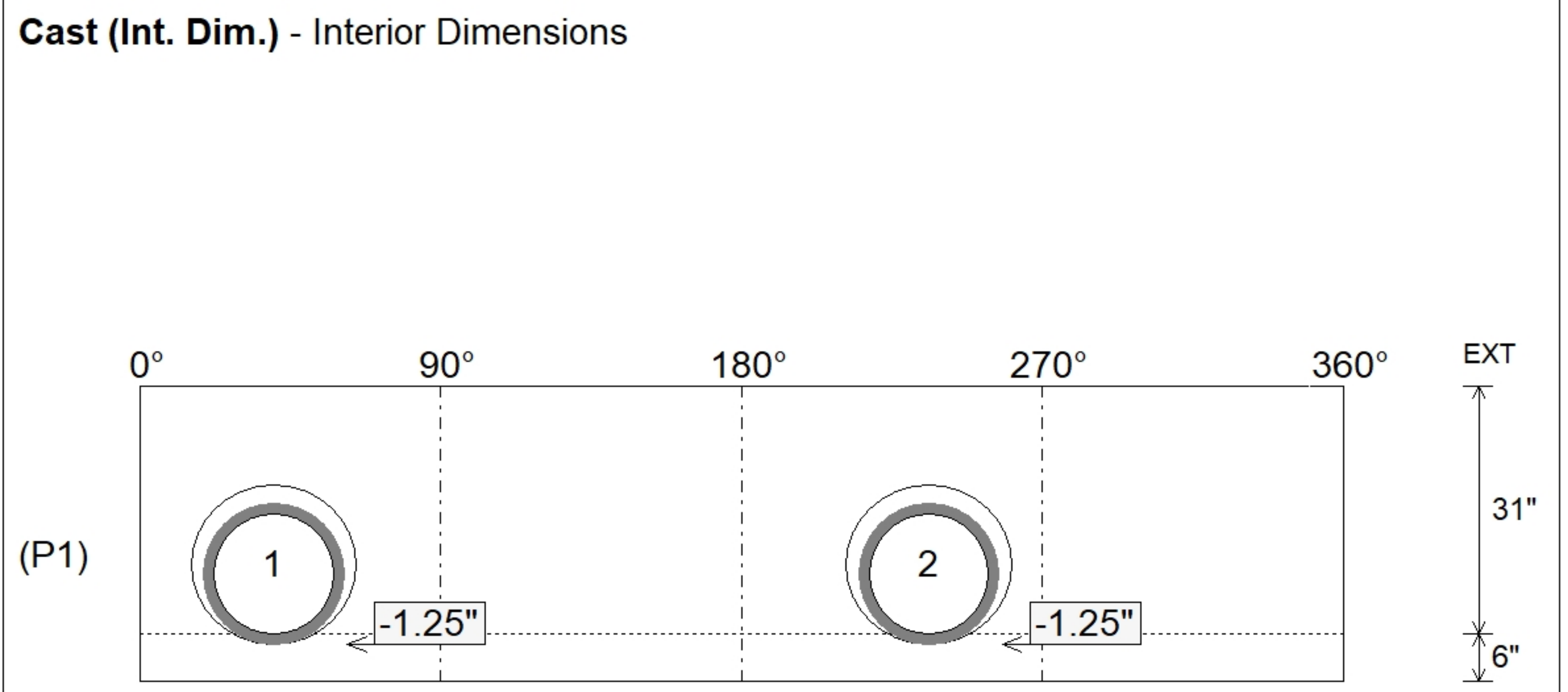
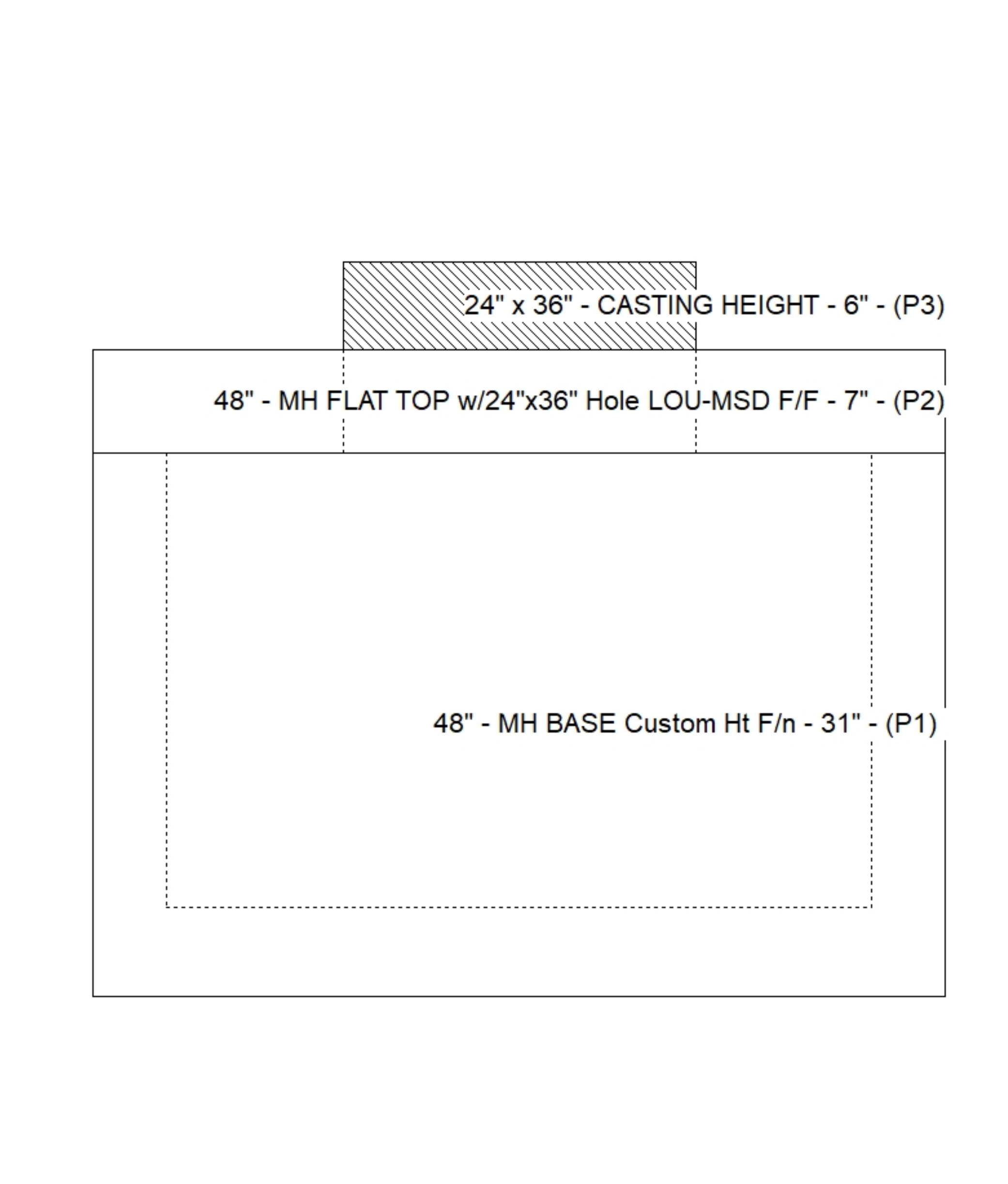
REINFORCING PER ASTM A615 (GRADE 60).  
 - TOP SLAB (As .62) #5 BARS AT 6" C.C.E.W..  
 - RISER/WALLS (As .12)  
 - FLOOR (As .31) #5 BARS AT 12" C.C.E.W.

**STRUCTURE SUMMARY:**

|   |                |
|---|----------------|
| P3) 24" x 36" - CASTING HEIGHT - 6"                   | 0 lb           |
| P2) 48" - MH FLAT TOP w/24"x36" Hole LOU-MSD F/F - 7" | 1044 lb        |
| P1) 48" - MH BASE Custom Ht F/n - 31"                 | 3225 lb        |
| 1) 48" - SGL 1"x14.5' Butyl (2x)                      | 0 lb           |
| 2) Hole - 20  | 0 lb           |
| <b>Structure Total:</b>                               | <b>4270 lb</b> |



| Position | Elev    | Angle | Pipe     | Pipe OD | Hole | Connector | Up ( ) | Ref |
|----------|---------|-------|----------|---------|------|-----------|--------|-----|
| Rim      | 448.72' |       |          |         |      |           |        |     |
| Reducer  |         |       |          |         |      |           |        |     |
| Invert 1 | 445'    | 40°   | 15" HDPE | 17.6"   | 20"  | Hole 20   | -1.25" | P1  |
| Invert 2 | 445'    | 236°  | 15" HDPE | 17.6"   | 20"  | Hole 20   | -1.25" | P1  |
| Invert 3 |         |       |          |         |      |           |        |     |
| Invert 4 |         |       |          |         |      |           |        |     |
| Invert 5 |         |       |          |         |      |           |        |     |
| Invert 6 |         |       |          |         |      |           |        |     |
| Invert 7 |         |       |          |         |      |           |        |     |
| Invert 8 |         |       |          |         |      |           |        |     |



Submittal Drawing  
 11/14/2025 2:16:28 PM

SUBMITTAL  
 APPROVED BY: