

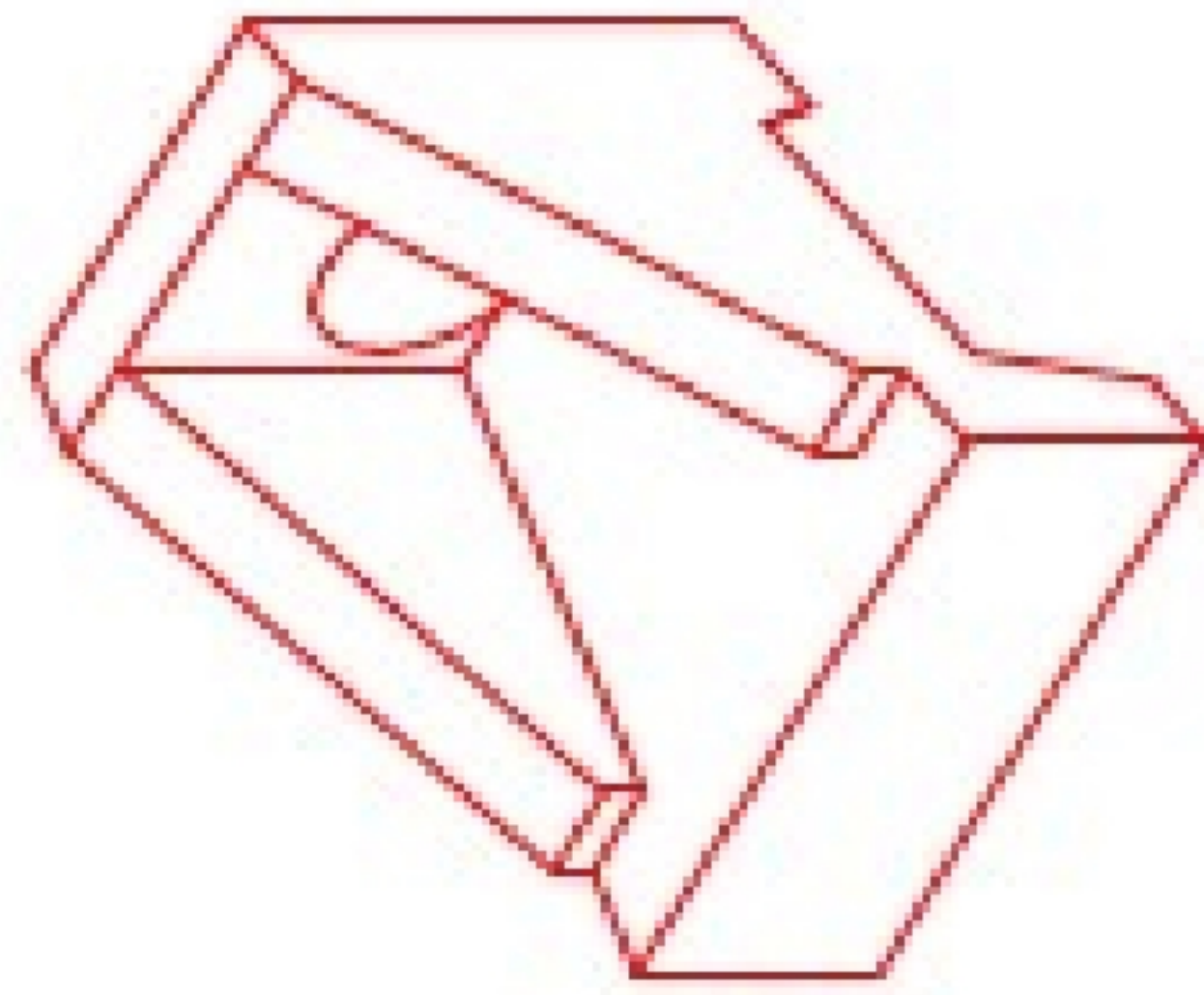


**Structure ID: ST 38-HDWL**

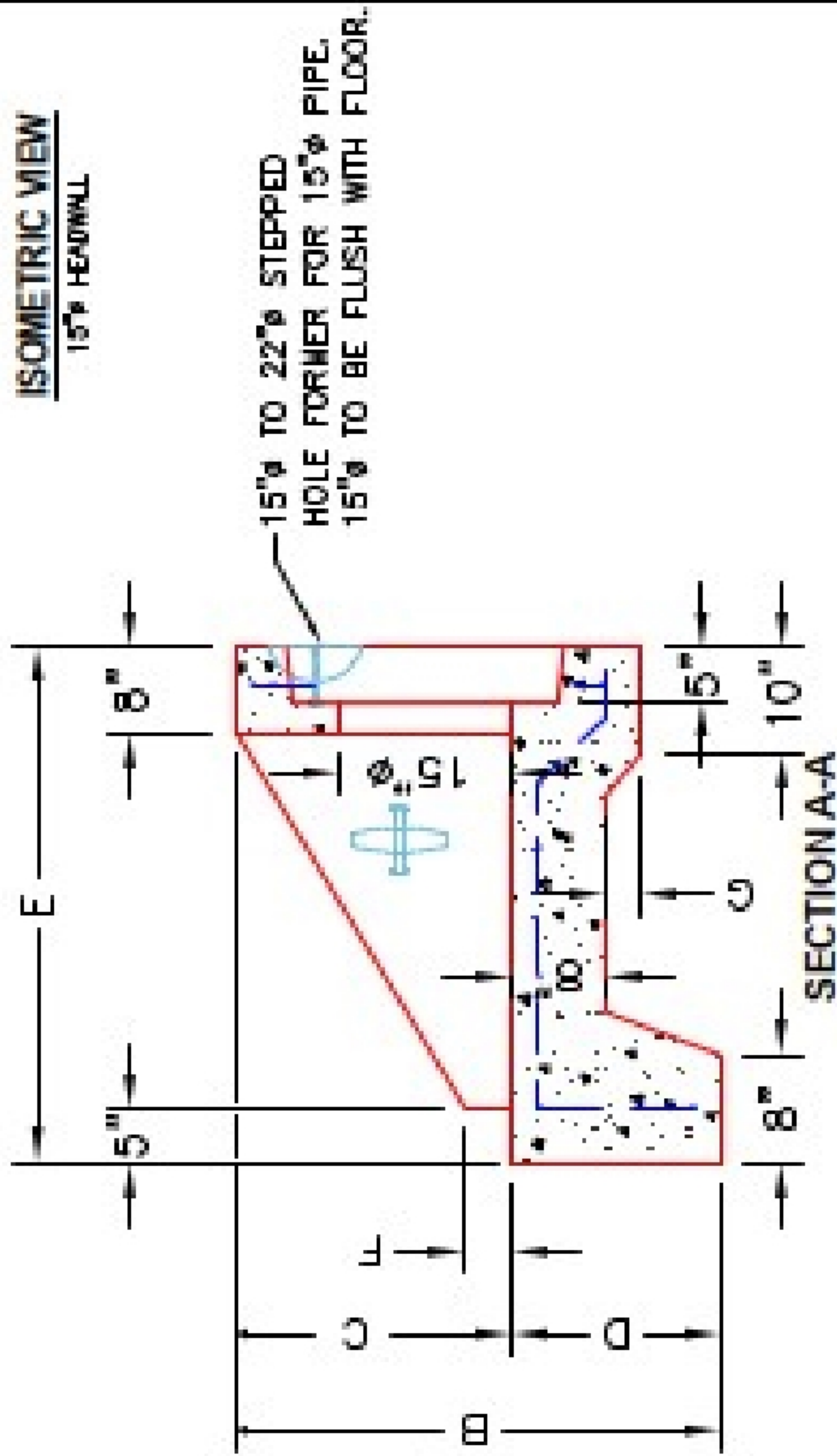
**P1 HWSF15**

**15" - SLOPED & FLARED HEADWALL F/F**

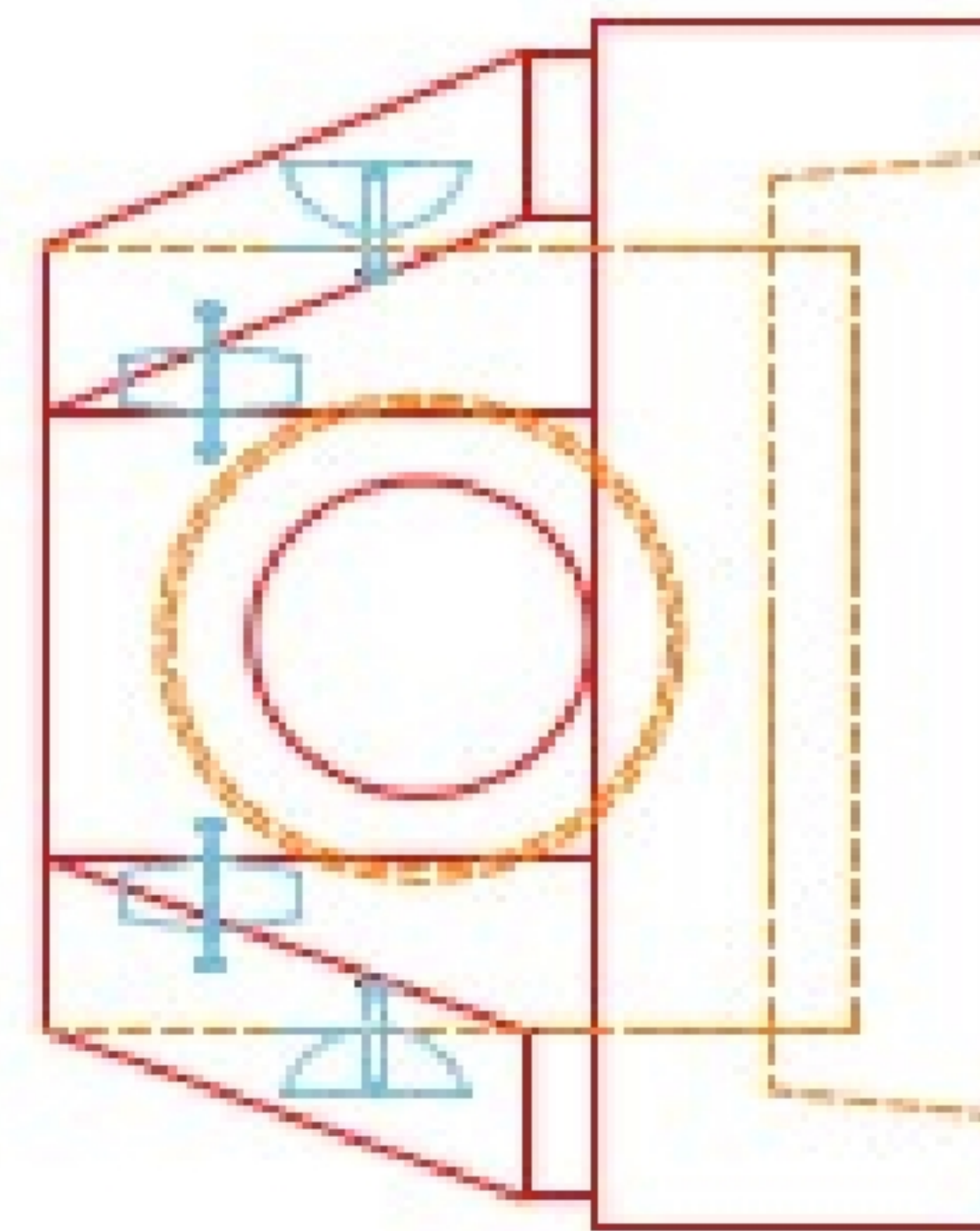
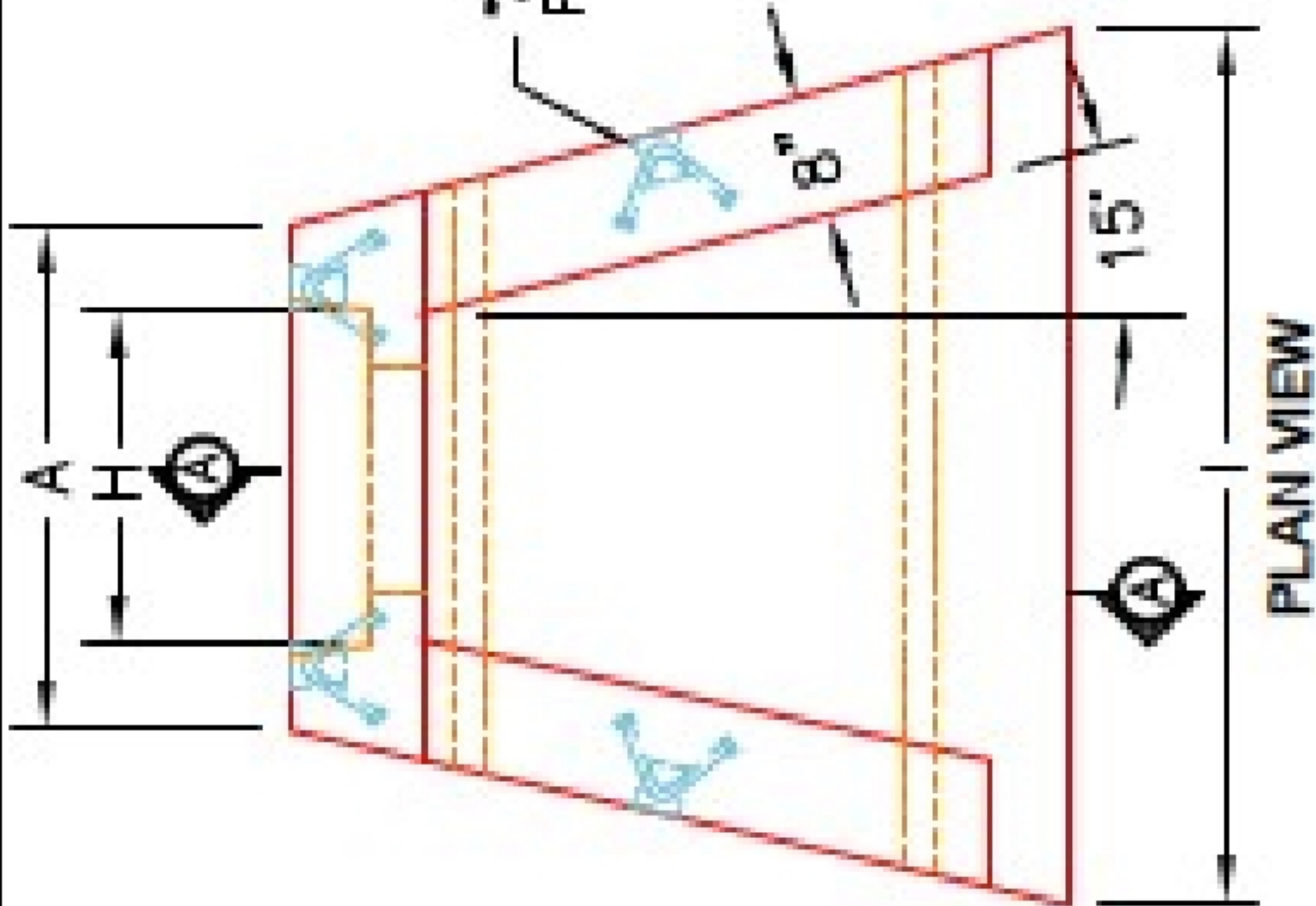
| DIMENSIONS |       |       |       |       |       |    |    |       |       |            |
|------------|-------|-------|-------|-------|-------|----|----|-------|-------|------------|
| PPE Ø      | A     | B     | C     | D     | E     | F  | G  | H     | I     | WEIGHT     |
| 15"        | 2'-0" | 3'-6" | 2'-0" | 1'-6" | 4'-0" | 3" | 2" | 2'-0" | 4'-0" | 3,181 LBS. |



ISOMETRIC VIEW  
15" HEADWALL



"A-ANCHOR" LIFTING SYSTEM FOR PLANT & FIELD HANDLING.



**NOTES:**

1. CONCRETE: 4500 PSI @ 28 DAYS.
2. REINFORCING: #4 BAR @ 12" C/C E.W.-GRADE 60, (WITH 2" CONCRETE COVER MINIMUM)
3. REINFORCING BARS TO BE TACK WELDED OR TIED.
4. DRAWING TO BE USED IN CONJUNCTION WITH KYTC STD. DRAWING RDH-020-03 AND THE STANDARD SPECIFICATIONS FOR ROAD AND BRIDGE CONSTRUCTION.
5. # CHAMFER ON ALL EXPOSED EDGES.

**PRODUCTION WORK ORDER**

|                             |  |
|-----------------------------|--|
| PRODUCT I.D.: HWSF15        | DESCRIPTION: KYTC 15" SLOPED & FLARED HEADWALL |
| PRODUCT VIEW: RIGHT SIDE UP | CUSTOMER: STOCK                                |
| PLANT: BEAVER DAM, KY.      | PROJECT: STOCK INVENTORY                       |
| WEIGHT: 3,181 LBS.          | STRUCTURE I.D.: N/A                            |
| TOP SECTION JOINT: N/A      | QUOTE/SALES ORDER NO: N/A                      |
| BASE SECTION JOINT: N/A     | CHECK: J.H. ROSS, PE DRAWING: N. RICHARDS      |
| QC CHECK INITIALS:          | DATE: 09/15/22 SCALE: NTS PG. 1 of 1           |

