

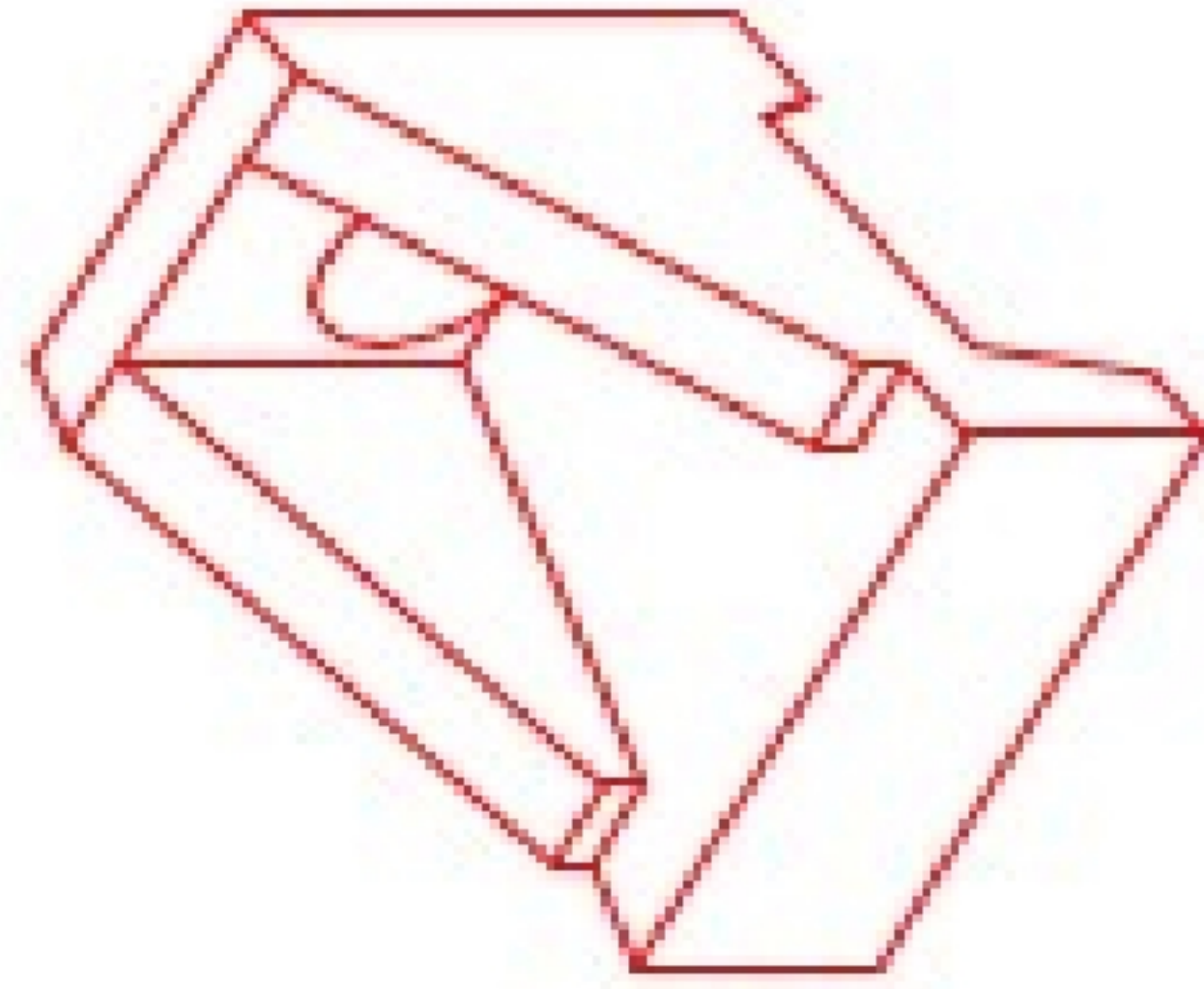


**Structure ID: ST 36-HDWL**

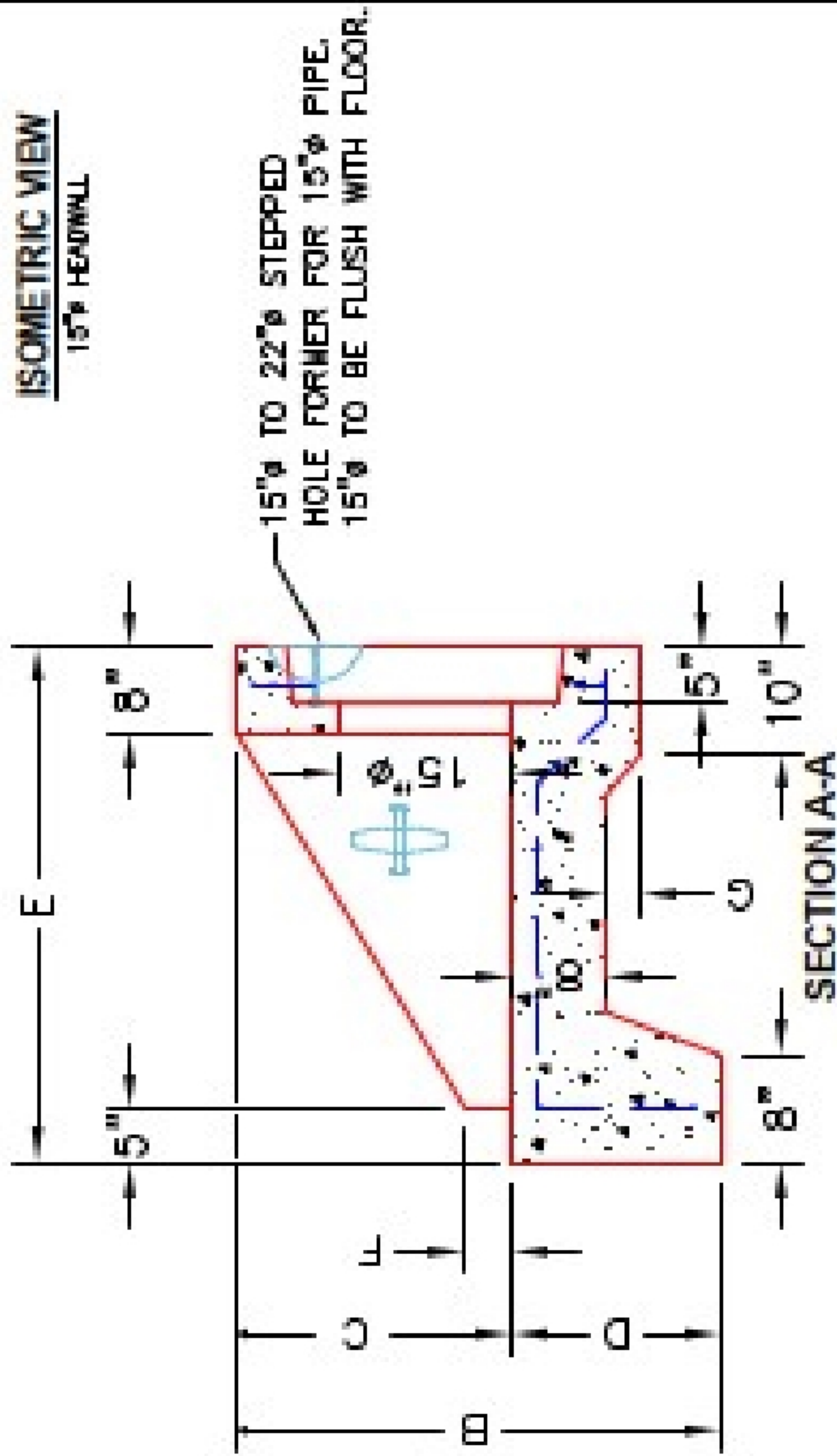
**P1 HWSF15**

**15" - SLOPED & FLARED HEADWALL F/F**

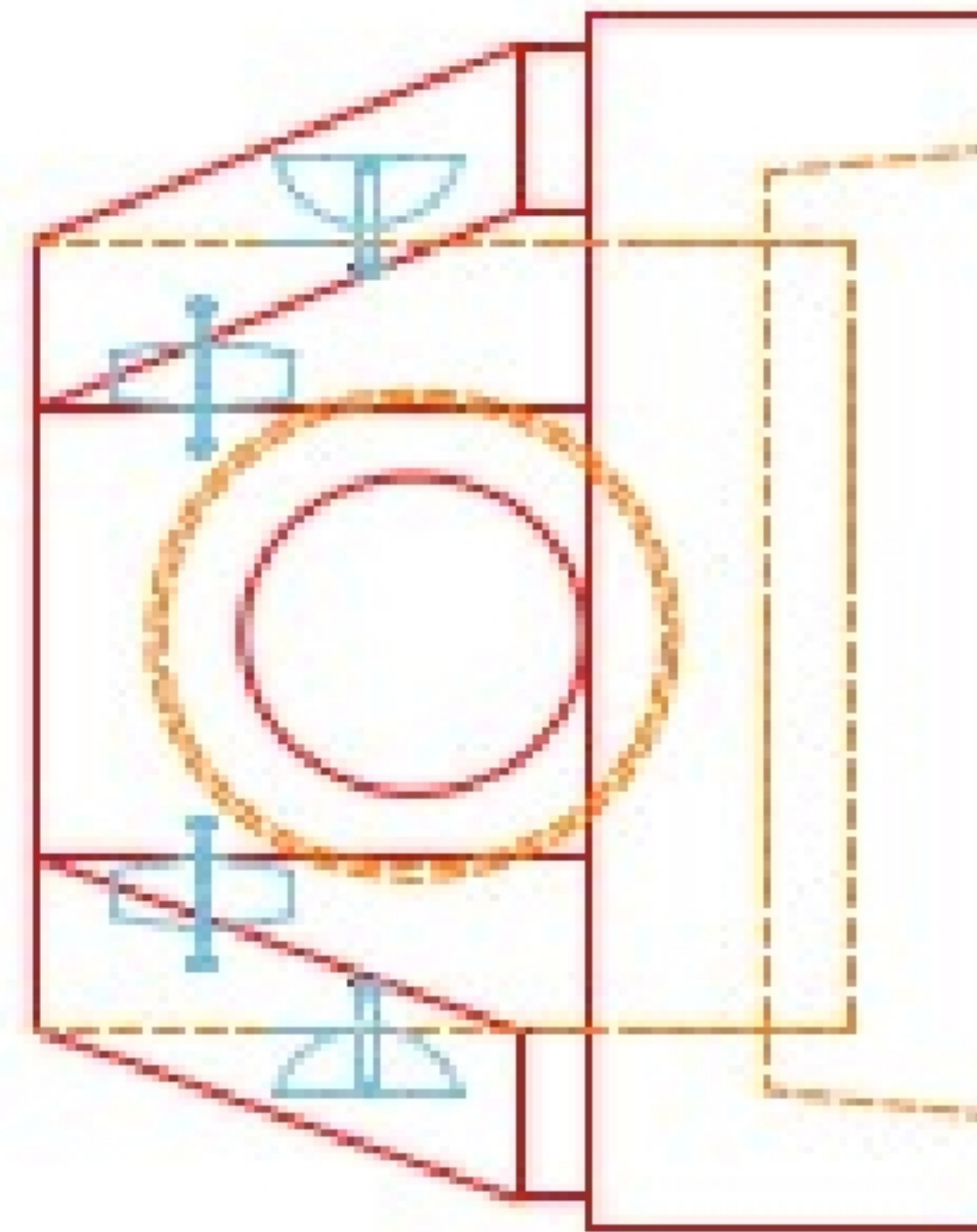
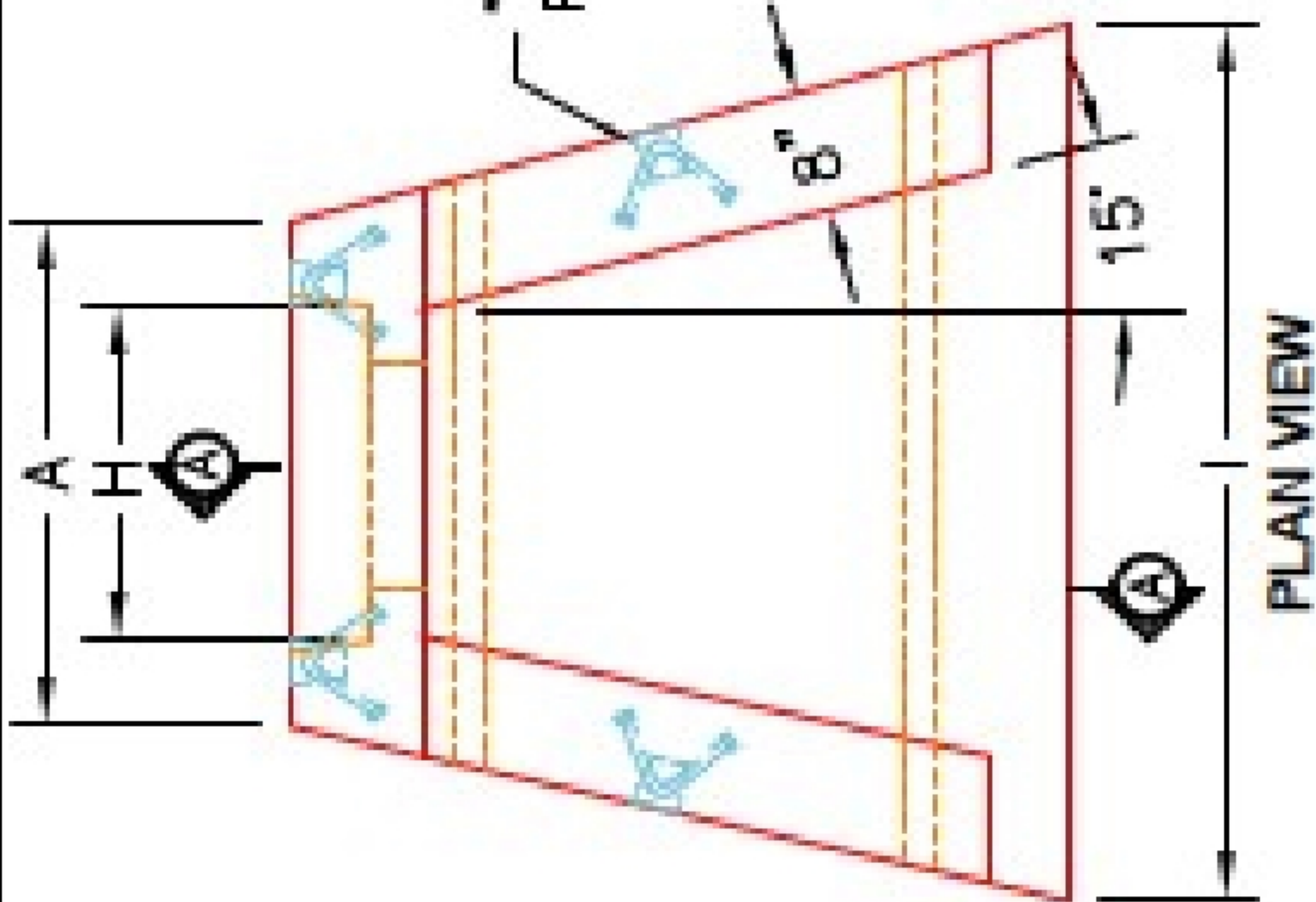
DIMENSIONS										
PPE Ø	A	B	C	D	E	F	G	H	I	WEIGHT
15"	2'-0"	3'-6"	2'-0"	1'-6"	4'-0"	3"	2"	2'-0"	4'-0"	3,181 LBS.



ISOMETRIC VIEW  
15" HEADWALL



"A-ANCHOR" LIFTING SYSTEM FOR PLANT & FIELD HANDLING.



**NOTES:**

1. CONCRETE: 4500 PSI @ 28 DAYS.
2. REINFORCING: #4 BAR @ 12" C/C E.W.-GRADE 60, (WITH 2" CONCRETE COVER MINIMUM)
3. REINFORCING BARS TO BE TACK WELDED OR TIED.
4. DRAWING TO BE USED IN CONJUNCTION WITH KYTC STD. DRAWING RDH-020-03 AND THE STANDARD SPECIFICATIONS FOR ROAD AND BRIDGE CONSTRUCTION.
5. # CHAMFER ON ALL EXPOSED EDGES.

**PRODUCTION WORK ORDER**

QUALITY CONTROL CHECKLIST
<input type="checkbox"/> ALL DIMENSIONS CORRECT.
<input type="checkbox"/> LIFTERS INSTALLED.
<input type="checkbox"/> STEPPED IF CORRECT SIZE.
<input type="checkbox"/> REINFORCING CORRECT.
<input type="checkbox"/> DISSIPATOR BLOCK INSTALLED.
<input type="checkbox"/> EDGES CHAMFERED.
<input type="checkbox"/> ALL PATCHWORK ACCEPTABLE.



DESCRIPTION: KYTC 15" SLOPED & FLARED HEADWALL	
CUSTOMER: STOCK	
PROJECT: STOCK INVENTORY	
STRUCTURE ID: N/A	
QUOTE/SALES ORDER NO: N/A	
CHECK: J.H. ROSS, PE	DRAWING: N. RICHARDS
DATE: 09/15/22	SCALE: NTS
PG. 1 of 1	