

Job Name: 25-2468 Kerrick Elementary
Job Location: Louisville, KY
Contractor: KY Earthworks

PC: J. Jarvis
 TECH: J. Horsley
 Plant: Beaver Dam



Structure ID: **ST 3-CB**
 Spec: MSD
 Type: MH TYPE 1
 Size: 48"

Rim: 448.76'
 Invert: 444.8'
 Rim to Invert: 3.96'

Sump: 0"
 Floor (Top): 444.8'
 Floor Height: 6"

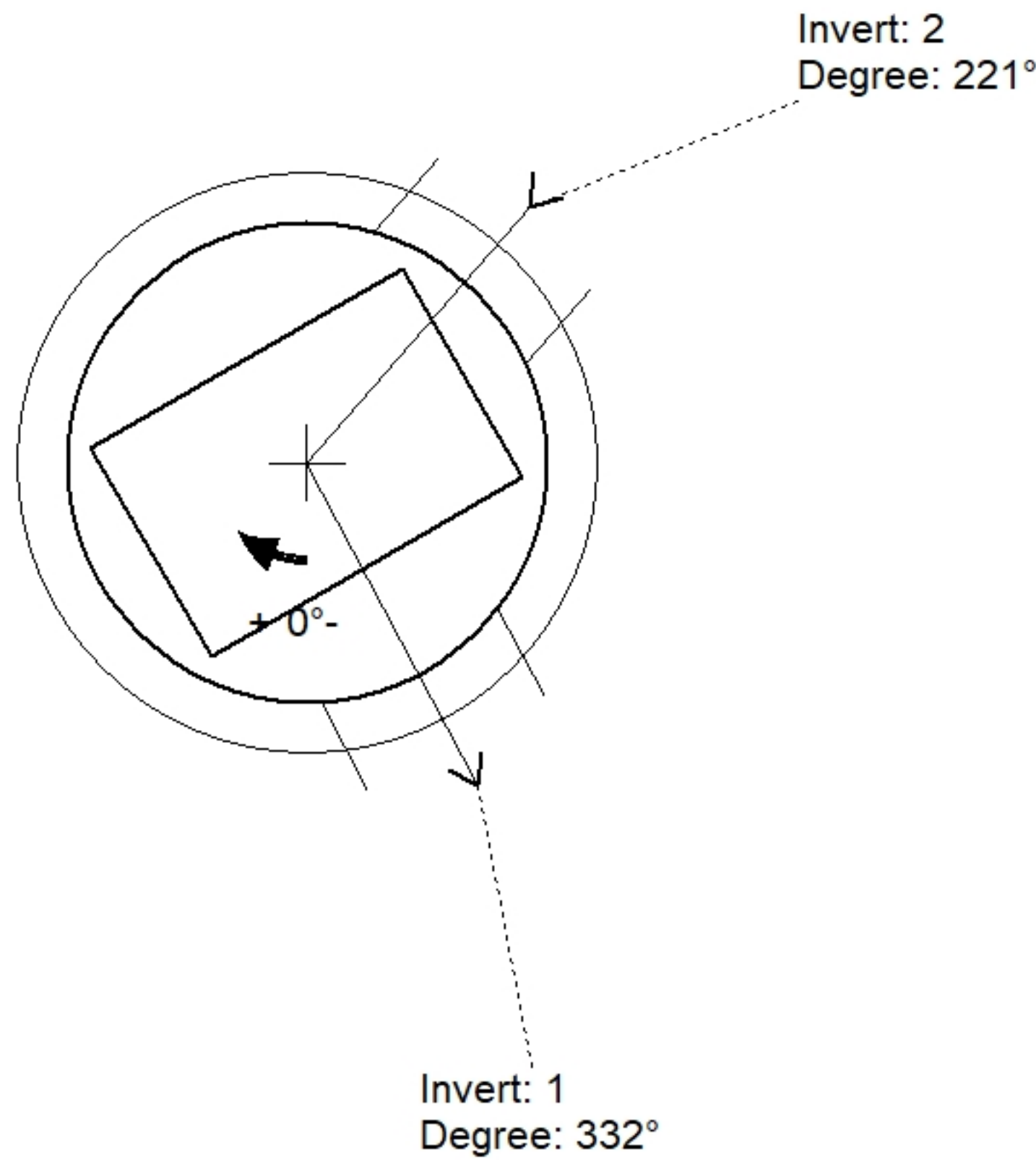
Floor (Bot): 444.3'
 Overall Height: 4.417'
 Slack: 0.52"

Structure Notes:

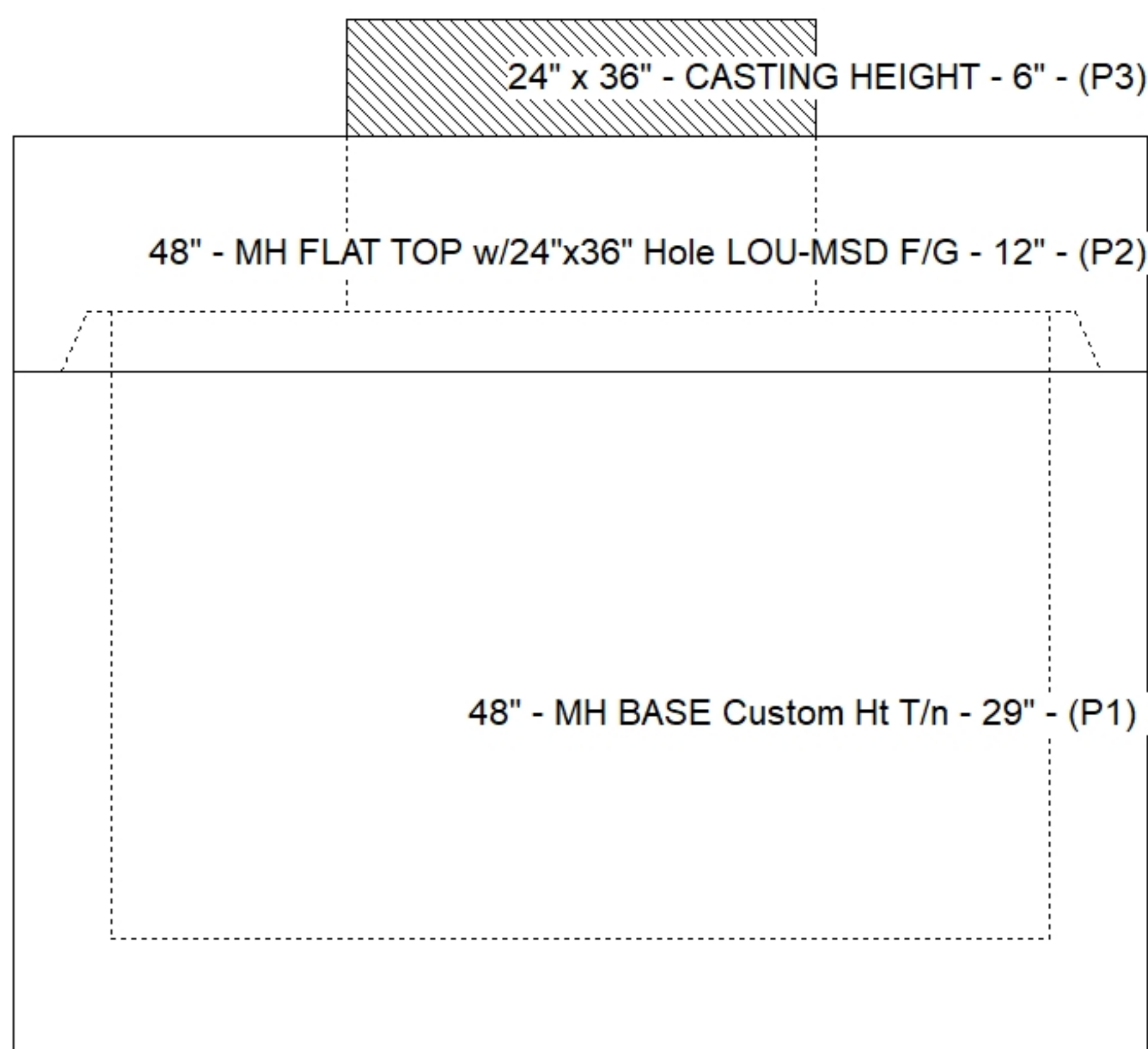
- PER LOUISVILLE MSD/ ASTM C478 SPECIFICATIONS.
 - CONCRETE = 4,000 PSI AT 28 DAYS.
 - CASTING BY OTHERS (HOE MC-470 F/C).
- REINFORCING PER ASTM A615 (GRADE 60).
 - TOP SLAB (As .62) #5 BARS AT 6" C.C.E.W..
 - RISER/WALLS (As .12)
 - FLOOR (As .31) #5 BARS AT 12" C.C.E.W.

STRUCTURE SUMMARY:

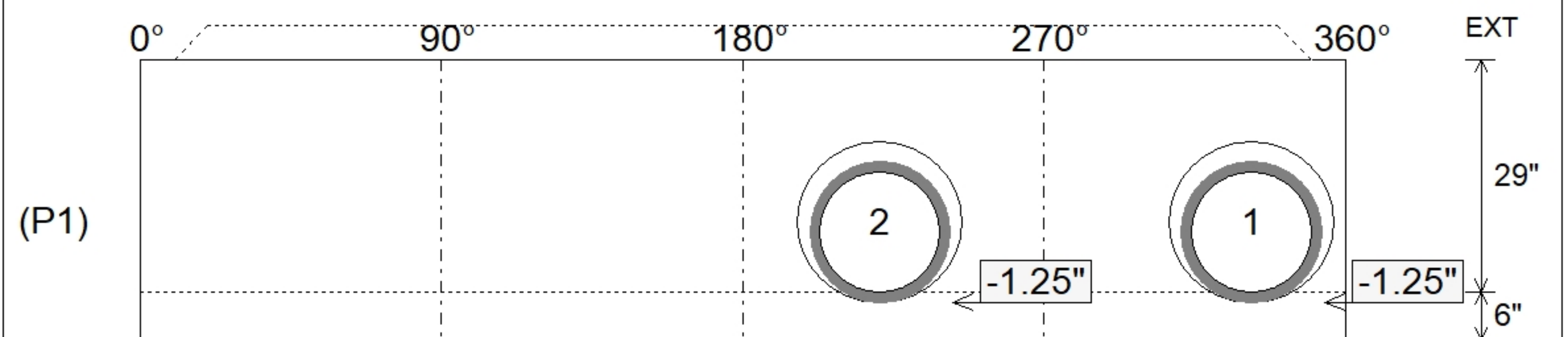
P3) 24" x 36" - CASTING HEIGHT - 6"	0 lb
P2) 48" - MH FLAT TOP w/24"x36" Hole LOU-MSD F/G - 12"	1790 lb
P1) 48" - MH BASE Custom Ht T/n - 29"	3086 lb
1) 48" - SGL 1"x14.5' Butyl (2x)	0 lb
2) Hole - 20	0 lb
Structure Total:	4876 lb



Position	Elev	Angle	Pipe	Pipe OD	Hole	Connector	Up ()	Ref
Rim	448.76'							
Reducer								
Invert 1	444.8'	332°	15" HDPE	17.6"	20"	Hole 20	-1.25"	P1
Invert 2	444.8'	221°	15" HDPE	17.6"	20"	Hole 20	-1.25"	P1
Invert 3								
Invert 4								
Invert 5								
Invert 6								
Invert 7								
Invert 8								



Cast (Int. Dim.) - Interior Dimensions



Submittal Drawing
 11/14/2025 2:16:28 PM

SUBMITTAL
 APPROVED BY: