

Job Name: 25-2468 Kerrick Elementary  
 Job Location: Louisville, KY  
 Contractor: KY Earthworks

Plant: Beaver Dam

Tech: J. Horsley

12/16/2025 10:36:17 AM

PC: J. Jarvis



**Structure ID: ST 3-CB**

**P2 MH048LD12-24x36 LOUMSD**

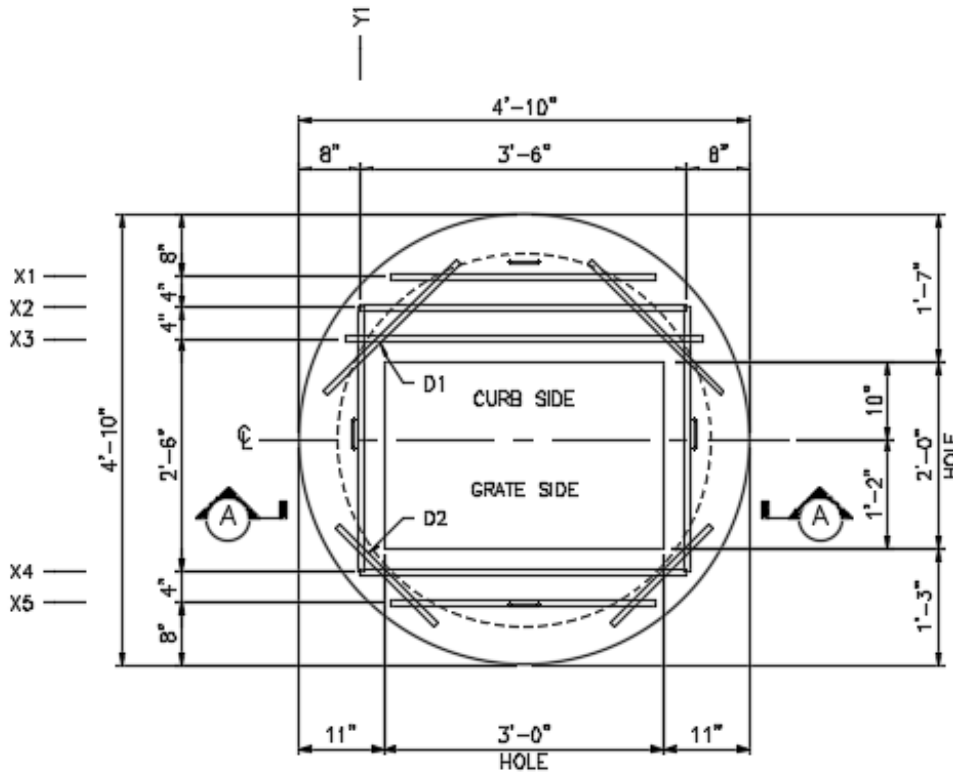
**MH FLAT TOP w/24"x36" Hole LOU-MSD F/G**

- P3) 24" x 36" - CASTING HEIGHT - 6"
- P2) 48" - MH FLAT TOP w/24"x36" Hole LOU-MSD F/G - 12"
- P1) 48" - MH BASE Custom Ht T/n - 29"
- 1) 48" - SGL 1"x14.5" Butyl (2x)
- 2) Hole - 20

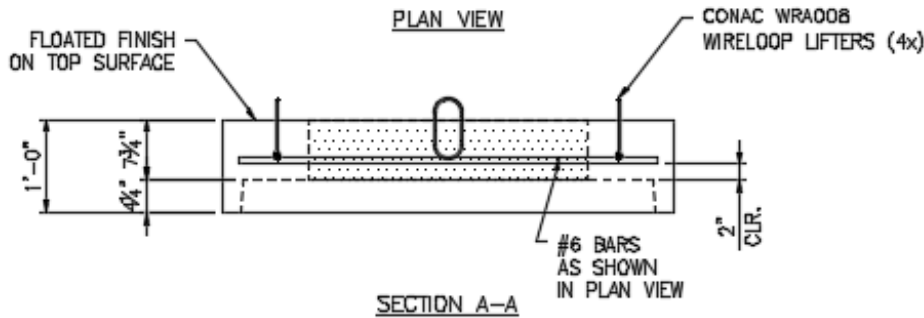
0 lb  
 1790 lb  
 3086 lb  
 0 lb  
 0 lb  
 -----  
 Structure Total: 4876 lb

**Structure Notes:**

1. PER LOUISVILLE MSD/ ASTM C478 SPECIFICATIONS.
  2. CONCRETE = 4,000 PSI AT 28 DAYS.
  3. CASTING BY OTHERS (HOE MC-470 F/C).
- REINFORCING PER ASTM A615 (GRADE 60).  
 - TOP SLAB - #6 BARS AT 4" C.C.E.W..  
 - RISER/WALLS (As .12)  
 - FLOOR (As .31) #5 BARS AT 12" C.C.E.W.



REBAR CUT LIST				
BAR	QTY	MATERIAL	LENGTH	SHAPE
X1	1	#6 BAR	2'-10"	STR
X2	1	#6 BAR	3'-6"	STR
X3	1	#6 BAR	3'-10"	STR
X4	1	#6 BAR	3'-6"	STR
X5	1	#6 BAR	2'-10"	STR
Y1	2	#6 BAR	2'-10"	STR
D1	2	#6 BAR	2'-0"	STR
D2	2	#6 BAR	1'-8"	STR/DIAG



Coating (Int):  
 Coating (Ext):

Seam Up: Flat  
 Seam Dn: Groove

Wall Thickness: 5"

Height (Ext): 12"

Weight (Net): 1790 lb  
 Volume (Net): 0.46cu.yd