

Job Name: 25-2468 Kerrick Elementary
Job Location: Louisville, KY
Contractor: KY Earthworks

PC: J. Jarvis
 TECH: J. Horsley
 Plant: Beaver Dam



Structure ID: **ST 20-CB**

Spec: Storm
 Type: STM.MH (mono str)
 Size: 48"

Rim: 448.41'
 Invert: 445.9'
 Rim to Invert: 2.51'

Sump: 0"
 Floor (Top): 445.9'
 Floor Height: 6"

Floor (Bot): 445.4'
 Overall Height: 3'
 Slack: 0.12"

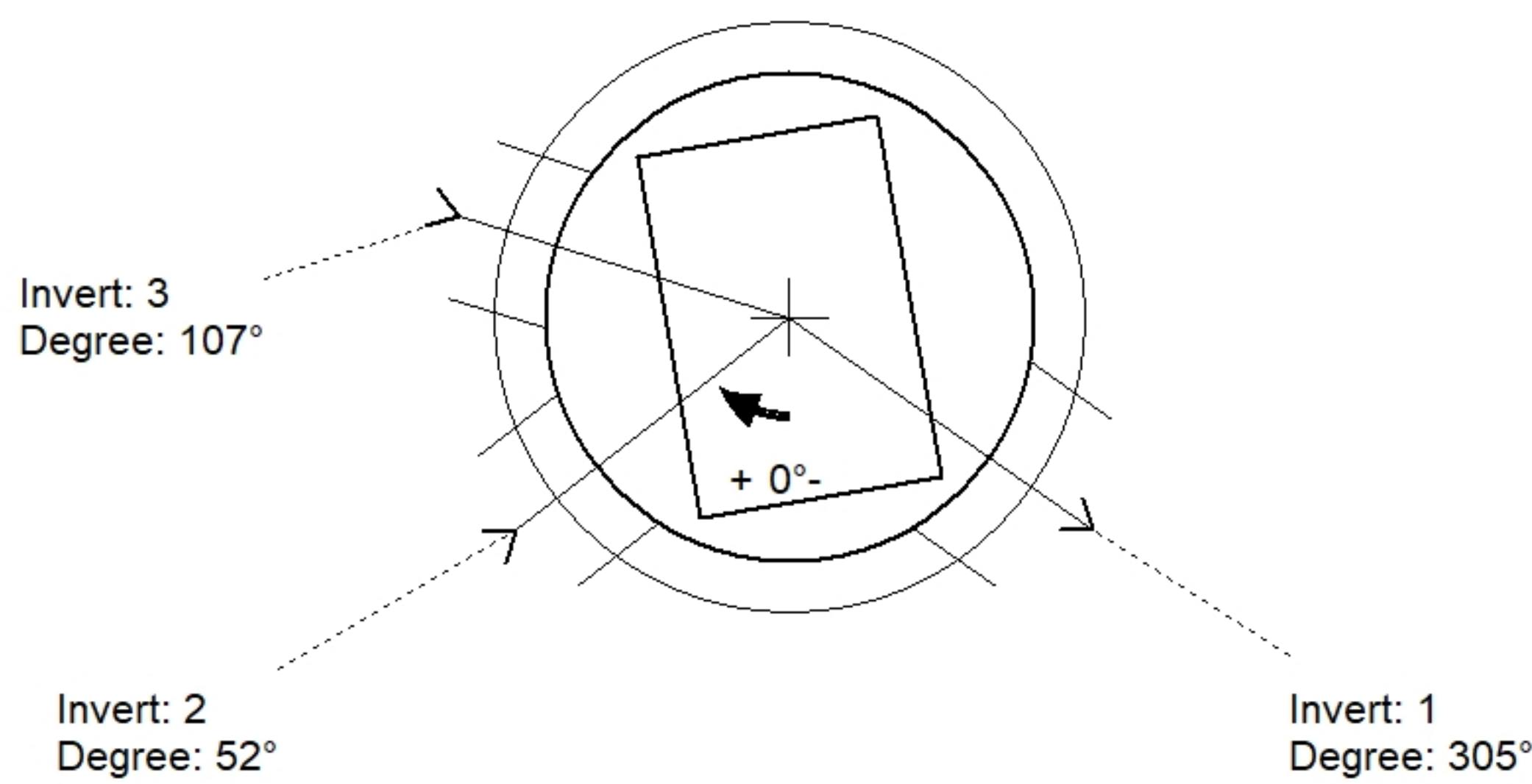
Structure Notes:

- PER LOUISVILLE MSD DOUBLE CI / ASTM C478 SPECIFICATIONS.
- CONCRETE = 4,000 PSI AT 28 DAYS.
- CASTING BY OTHERS (HOE 470 F/G/H)
- NOTE: DUE TO THE SHALLOW DEPTH, THE TOP SLAB & BASE SECTION WILL BE PROVIDED AS A ONE PIECE MONOLITHIC SECTION.

REINFORCING PER ASTM A615 (GRADE 60).
 - TOP SLAB (As .62) #5 BARS AT 6" C.C.E.W..
 - RISER/WALLS (As .12)
 - FLOOR (As .31) #5 BARS AT 12" C.C.E.W.

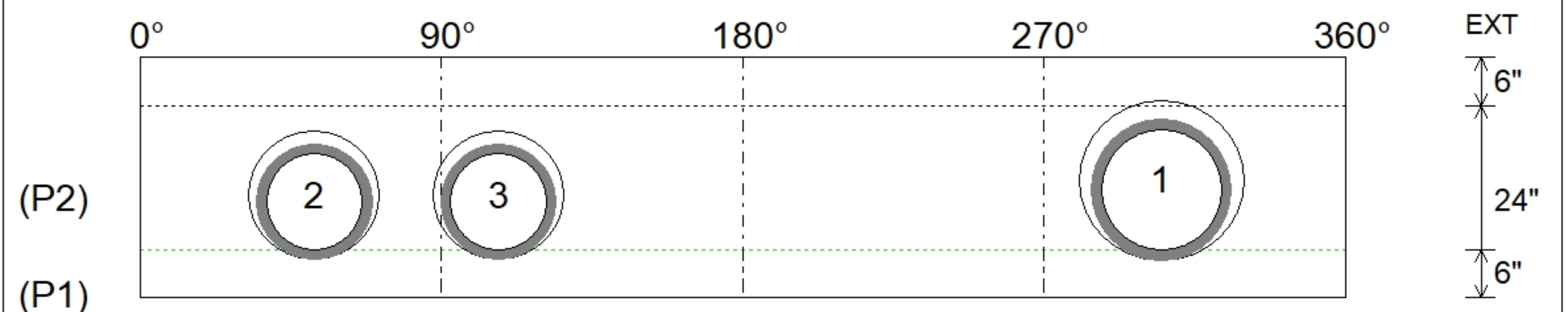
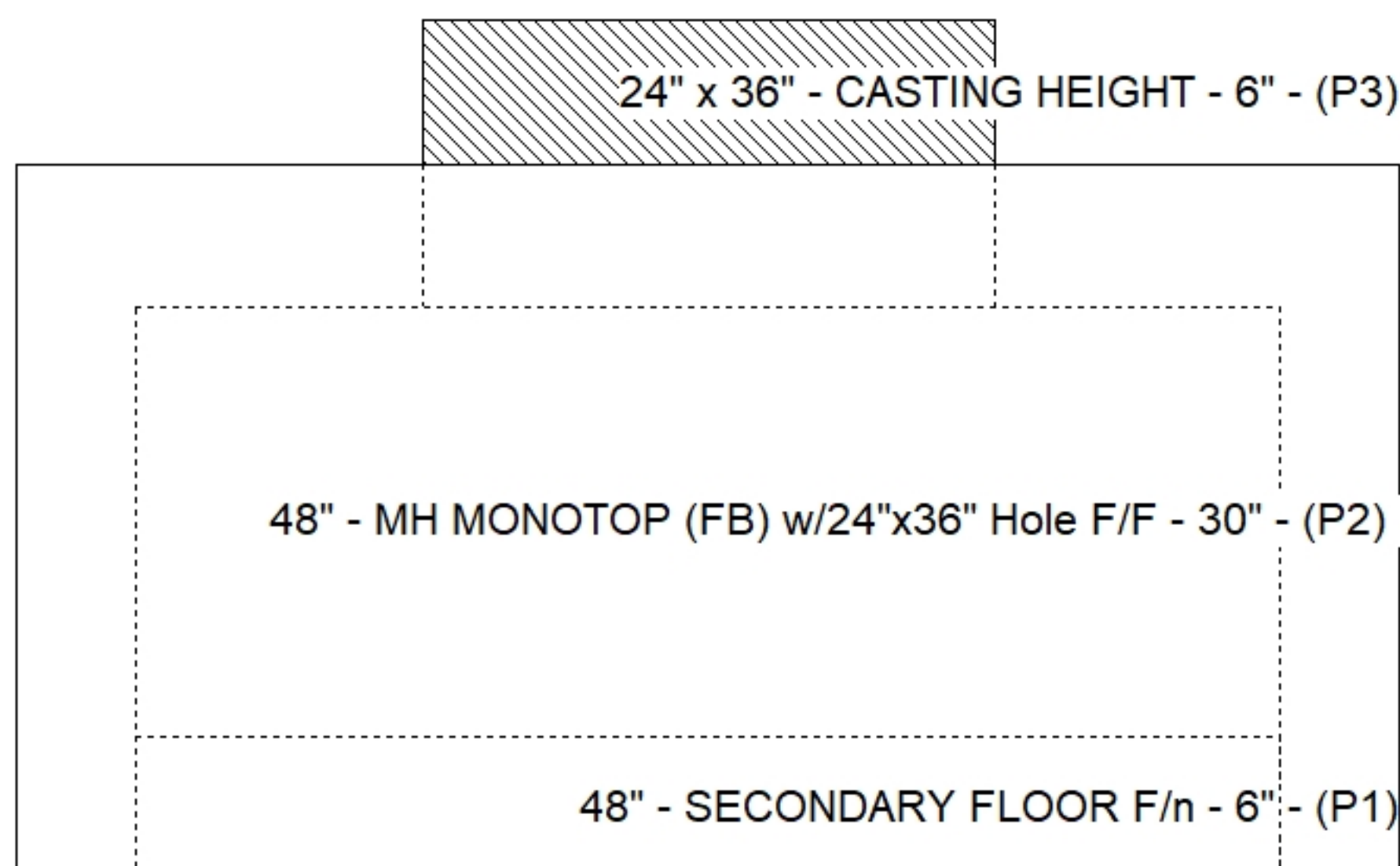
STRUCTURE SUMMARY:

| | |
|--|----------------|
| P3) 24" x 36" - CASTING HEIGHT - 6" | 0 lb |
| P2) 48" - MH MONOTOP (FB) w/24"x36" Hole F/F - 30" | 2265 lb |
| P1) 48" - SECONDARY FLOOR F/n - 6" | 901 lb |
| 1) 48" - SGL 1"x14.5' Butyl (2x) | 0 lb |
| 1) Hole - 20 | 0 lb |
| 2) Hole - 16 | 0 lb |
| Structure Total: | 3166 lb |



| Position | Elev | Angle | Pipe | Pipe OD | Hole | Connector | Up (L) | Ref |
|----------|---------|-------|----------|---------|------|-----------|--------|-----|
| Rim | 448.41' | | | | | | | |
| Reducer | | | | | | | | |
| Invert 1 | 445.9' | 305° | 15" HDPE | 17.6" | 20" | Hole 20 | 4.75" | P2 |
| Invert 2 | 445.9' | 52° | 12" HDPE | 14.5" | 16" | Hole 16 | 4.75" | P2 |
| Invert 3 | 445.9' | 107° | 12" HDPE | 14.5" | 16" | Hole 16 | 4.75" | P2 |
| Invert 4 | | | | | | | | |
| Invert 5 | | | | | | | | |
| Invert 6 | | | | | | | | |
| Invert 7 | | | | | | | | |
| Invert 8 | | | | | | | | |

Cast (Int. Dim.) - Interior Dimensions



Submittal Drawing
 11/14/2025 2:16:32 PM

SUBMITTAL
 APPROVED BY: