

Structure ID: ST 2-CB

P1 MH048BA36

MH BASE T/n

P4) 24" x 36" - CASTING HEIGHT - 6"	0 lb
P3) 24" x 36" - GRADE RING F/F - 3"	306 lb
P2) 48" - MH FLAT TOP w/24"x36" Hole LOU-MSD F/G - 12"	1790 lb
P1) 48" - MH BASE T/n - 36"	3377 lb
1) 48" - SGL 1"x14.5' Butyl (2x)	0 lb
1) Hole - 24	0 lb
2) Hole - 20	0 lb
Structure Total:	5474 lb

Structure Notes:

- PER LOUISVILLE MSD/ ASTM C478 SPECIFICATIONS.
- CONCRETE = 4,000 PSI AT 28 DAYS.
- CASTING BY OTHERS (HOE MC-470 F/C).

REINFORCING PER ASTM A615 (GRADE 60).

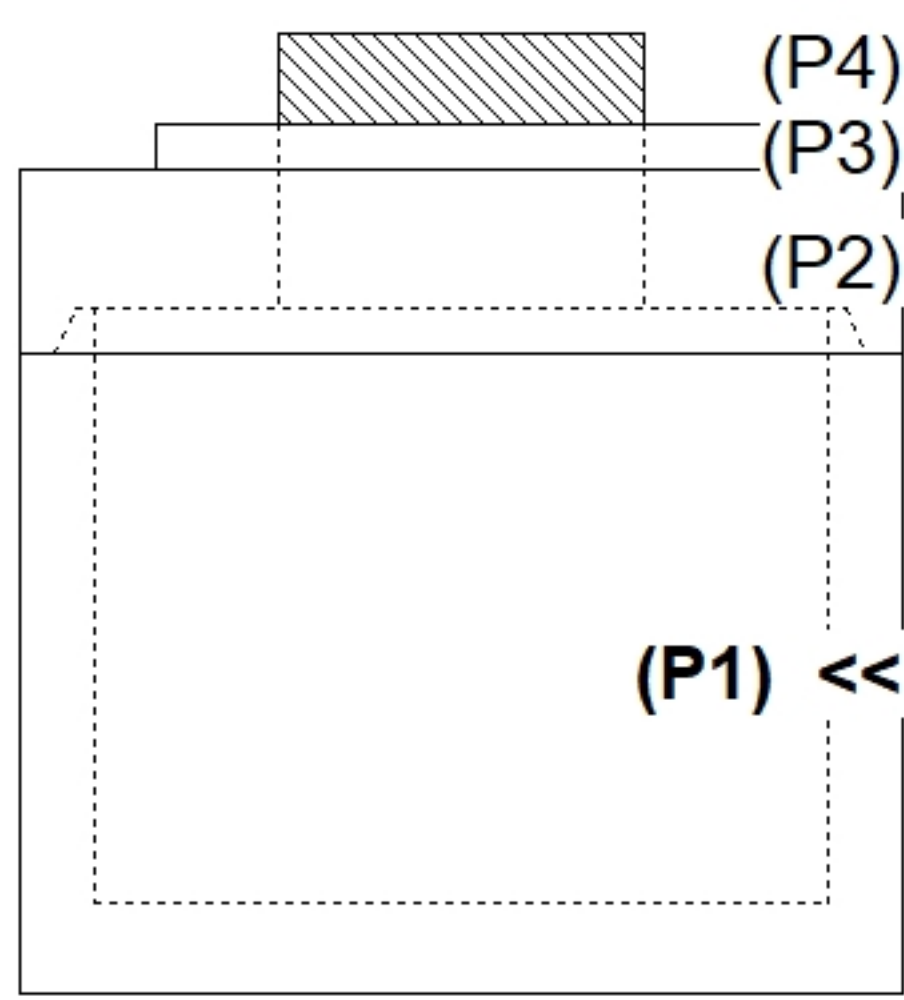
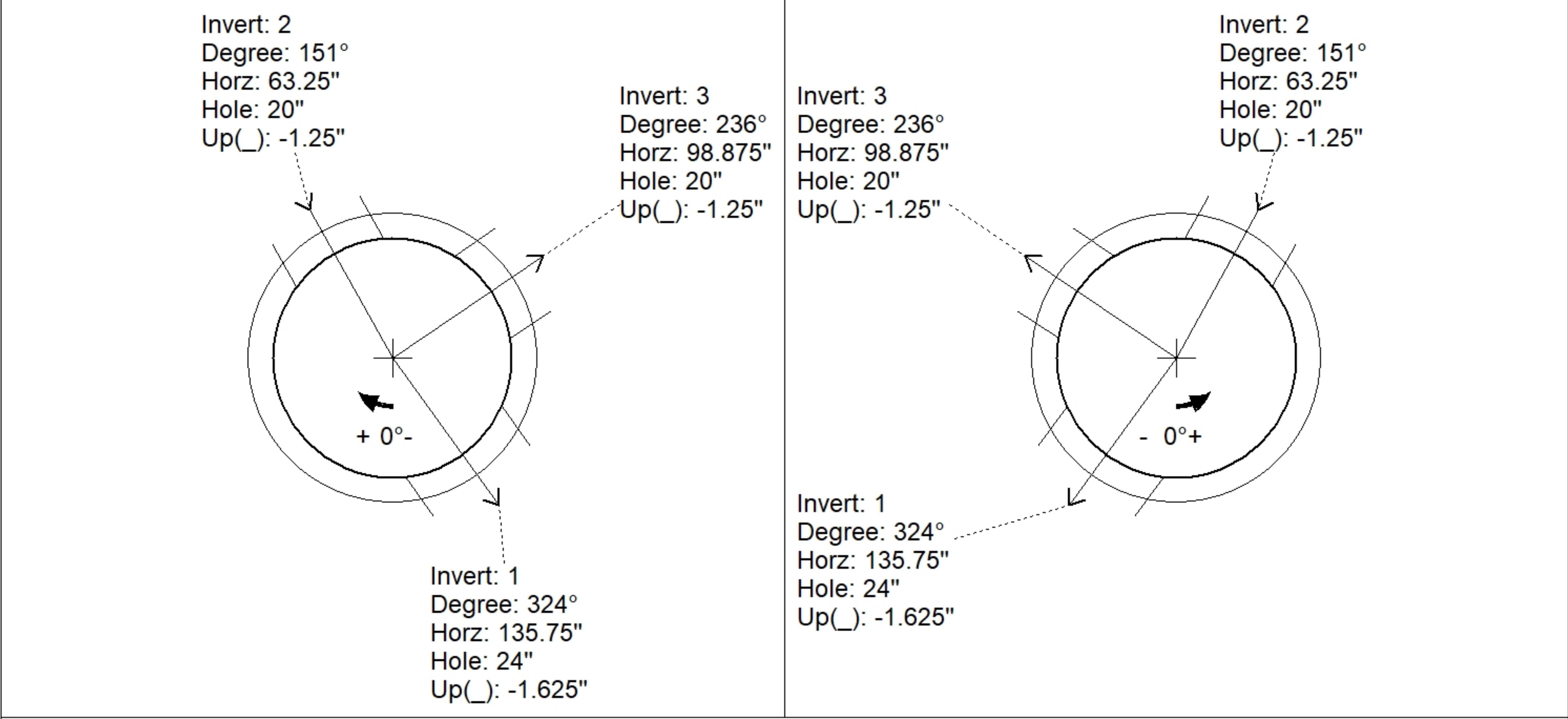
- TOP SLAB (As .62) #5 BARS AT 6" C.C.E.W..
- RISER/WALLS (As .12)
- FLOOR (As .31) #5 BARS AT 12" C.C.E.W.

Rim: 448.86' Rim to Invert: 4.86' Slack: 1.32" Sump: 0" Step Position:

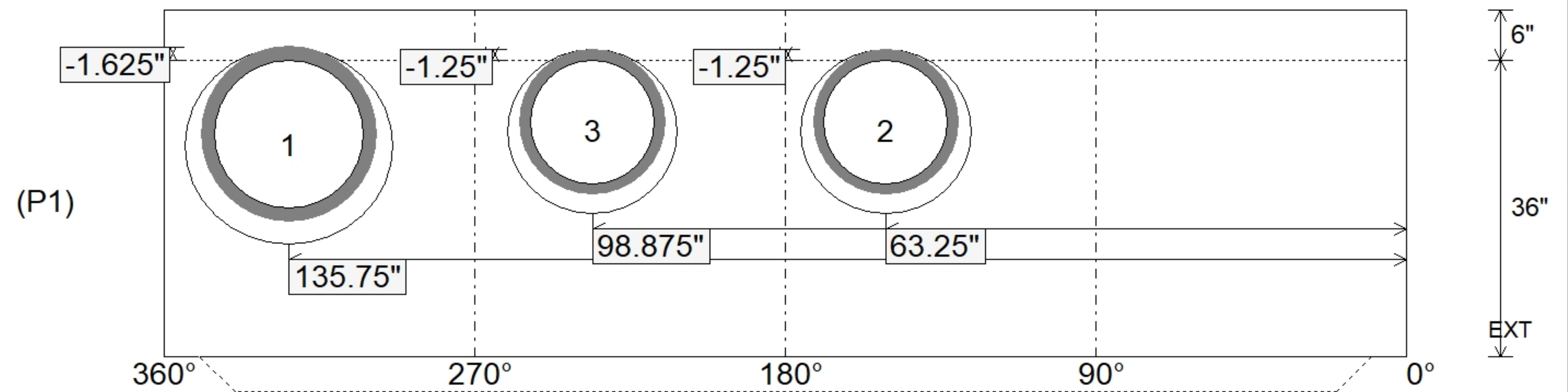
Position	Elev	Angle	Ext. (cw)	Pipe	Pipe OD	Connector	Hole	Horz Size	Up ()	Offset
Invert 1	444'	324°	164"	18" HDPE	21.2"	Hole 24	24"	25.133"	-1.625"	0"
Invert 2	444'	151°	76.375"	15" HDPE	17.6"	Hole 20	20"	20.629"	-1.25"	0"
Invert 3	444'	236°	119.5"	15" HDPE	17.6"	Hole 20	20"	20.629"	-1.25"	0"
Invert 4										
Invert 5										
Invert 6										
Invert 7										
Invert 8										

RIGHT-SIDE UP VIEW (int. dimensions)

UPSIDE-DOWN VIEW (int. dimensions)



INSIDE WALL DIMENSIONS



Coating (Int):	Seam Up: Tongue	Wall Thickness: 5"	Height (Int): 36"	Weight (Net): 3377 lb
Coating (Ext):	Seam Dn: n/a	Floor Height: 6"	Height (Ext): 42"	Volume (Net): 0.86cu.yd