

**Job Name: 25-2468 Kerrick Elementary**  
**Job Location: Louisville, KY**  
**Contractor: KY Earthworks**

PC: J. Jarvis  
 TECH: J. Horsley  
 Plant: Beaver Dam



Structure ID: **ST 19-CB**

Spec: Storm  
 Type: STM.MH (mono str)  
 Size: 48"

Rim: 448.4'  
 Invert: 445.4'  
 Rim to Invert: 3'

Sump: 0"  
 Floor (Top): 445.4'  
 Floor Height: 6"

Floor (Bot): 444.9'  
 Overall Height: 3.458'  
 Slack: 0.5"

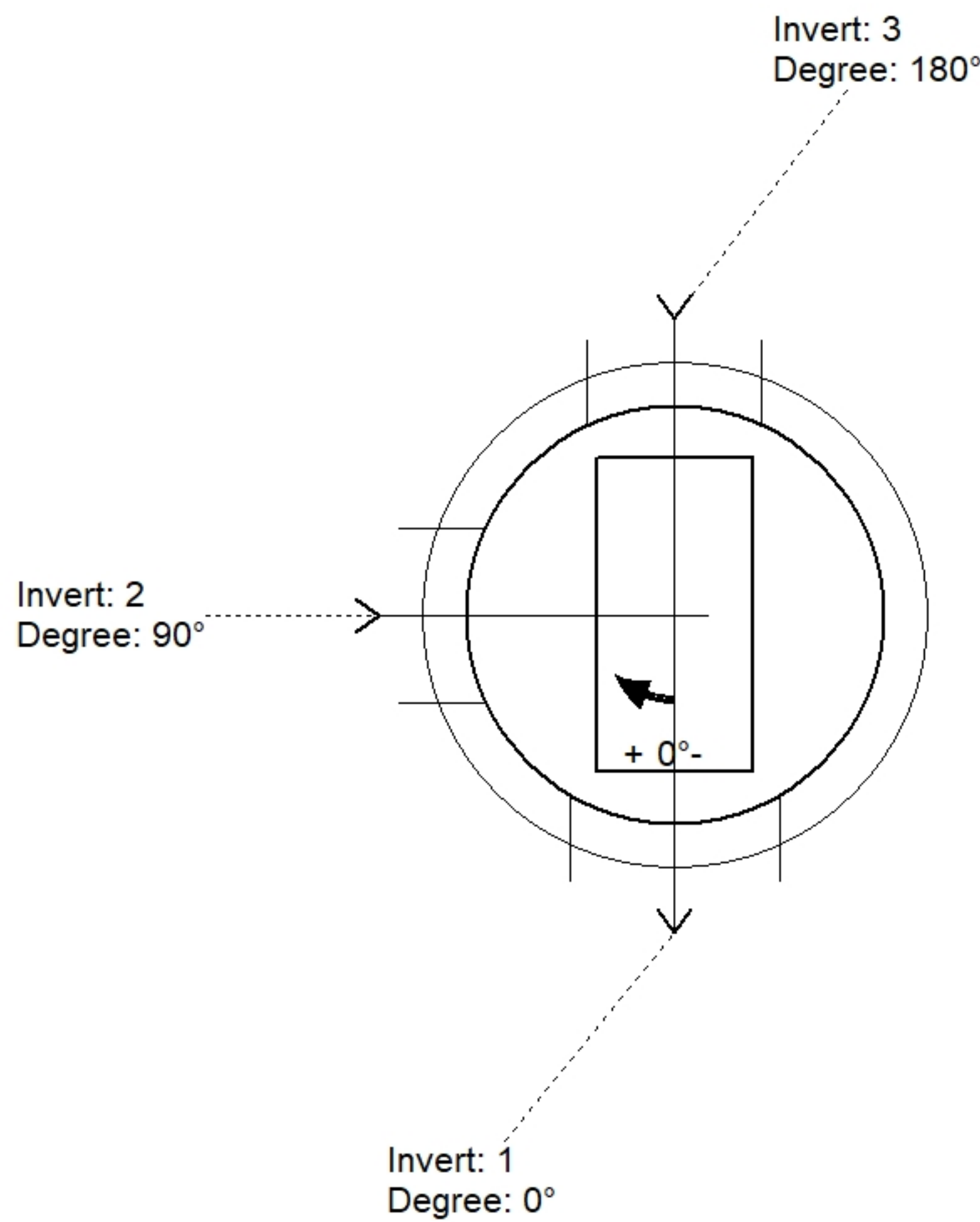
**Structure Notes:**

1. PER LOUISVILLE MSD/ ASTM C913 SPECIFICATIONS.
2. CONCRETE = 4,000 PSI AT 28 DAYS.
3. CASTING BY OTHERS (HOE 580-A F/G).
4. NOTE: DUE TO THE SHALLOW DEPTH, THE TOP SLAB & BASE SECTION WILL BE PROVIDED AS A ONE-PIECE MONOLITHIC SECTION.

REINFORCING PER ASTM A615 (GRADE 60).  
 - WALLS (As .31) #5 BARS AT 12" C.C.E.W.  
 - FLOOR (As .31) #5 BARS AT 12" C.C.E.W.

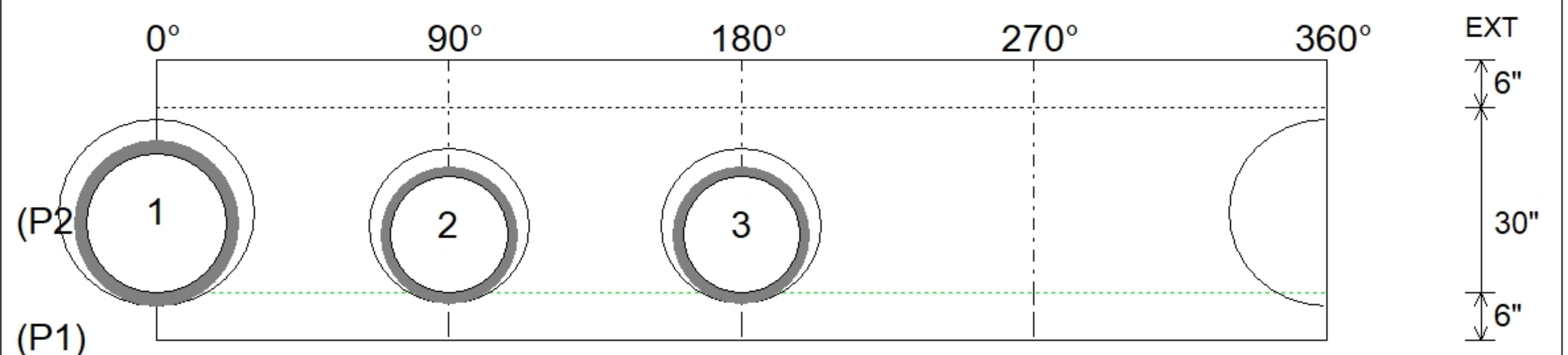
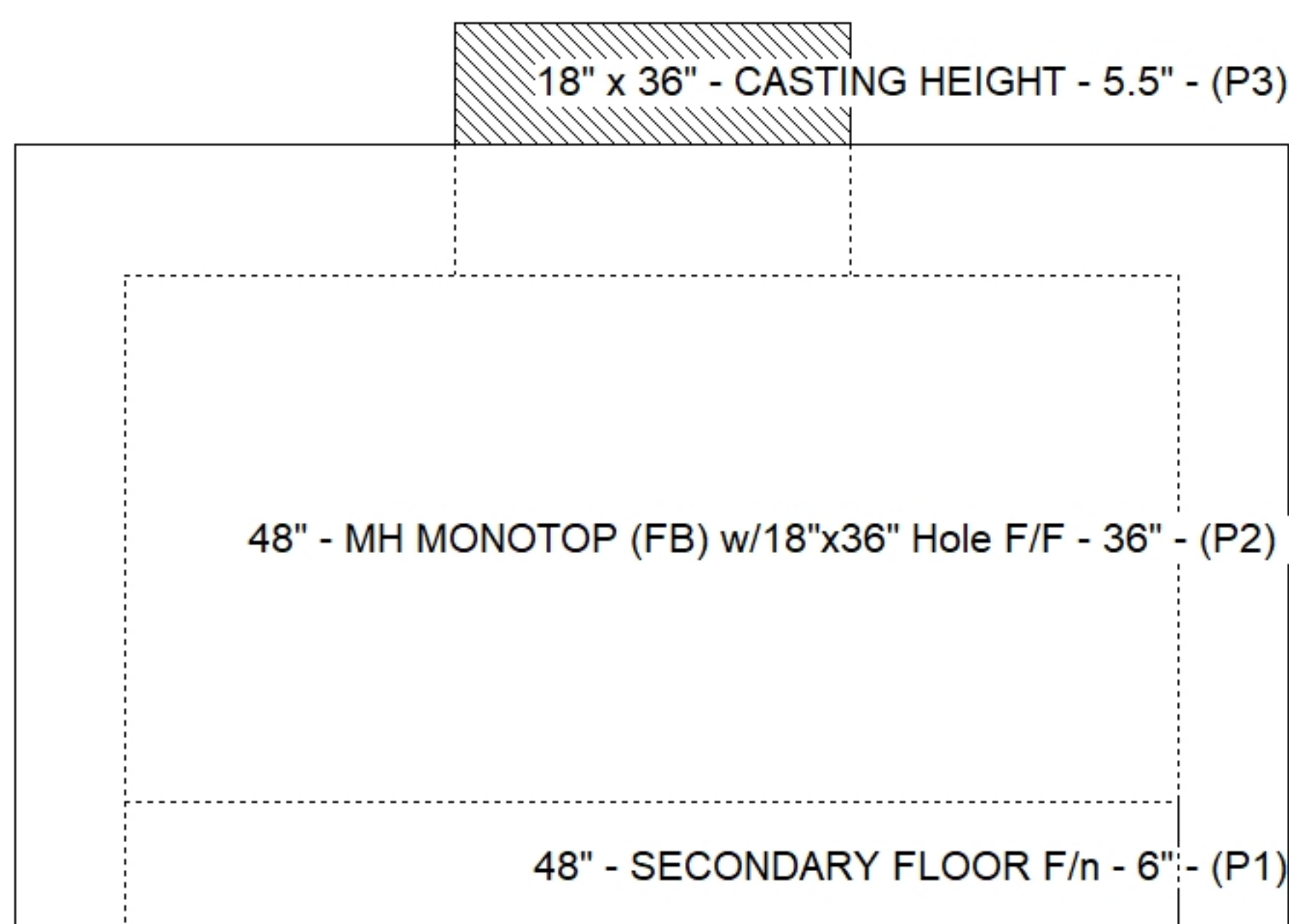
**STRUCTURE SUMMARY:**

P3) 18" x 36" - CASTING HEIGHT - 5.5"	0 lb
P2) 48" - MH MONOTOP (FB) w/18"x36" Hole F/F - 36"	2697 lb
P1) 48" - SECONDARY FLOOR F/n - 6"	900 lb
1) 48" - Conseal CS-102 1.00"	0 lb
1) 18" x 36" - Conseal CS-102 1.00"	0 lb
1) Hole - 24	0 lb
2) Hole - 20	0 lb
<b>Structure Total:</b>	<b>3597 lb</b>



Position	Elev	Angle	Pipe	Pipe OD	Hole	Connector	Up (L)	Ref
Rim	448.4'							
Reducer								
Invert 1	445.4'	0°	18" HDPE	21.2"	24"	Hole 24	4.375"	P2
Invert 2	445.4'	90°	15" HDPE	17.6"	20"	Hole 20	4.75"	P2
Invert 3	445.4'	180°	15" HDPE	17.6"	20"	Hole 20	4.75"	P2
Invert 4								
Invert 5								
Invert 6								
Invert 7								
Invert 8								

**Cast (Int. Dim.) - Interior Dimensions**



Submittal Drawing  
 11/14/2025 2:16:31 PM

SUBMITTAL  
 APPROVED BY: