

Job Name: 25-2468 Kerrick Elementary  
 Job Location: Louisville, KY  
 Contractor: KY Earthworks

Plant: Beaver Dam

Tech: J. Horsley

11/20/2025 11:37:39 AM

PC: J. Jarvis



**Structure ID: ST 19-CB**

**P2 MH048MT-FBVF**

**MH MONOTOP (FB) w/18"x36" Hole F/F**

- P3) 18" x 36" - CASTING HEIGHT - 5.5"
- P2) 48" - MH MONOTOP (FB) w/18"x36" Hole F/F - 36"
- P1) 48" - SECONDARY FLOOR F/n - 6"
- 1) 48" - Conseal CS-102 1.00"
- 1) 18" x 36" - Conseal CS-102 1.00"
- 1) Hole - 24
- 2) Hole - 20

	0 lb
	2697 lb
	900 lb
	0 lb
	0 lb
	0 lb
	0 lb
Structure Total:	3597 lb

**Structure Notes:**  
 1. PER LOUISVILLE MSD/ ASTM C913 SPECIFICATIONS.  
 2. CONCRETE = 4,000 PSI AT 28 DAYS.  
 3. CASTING BY OTHERS (HOE 580-A F/G).  
 4. NOTE: DUE TO THE SHALLOW DEPTH, THE TOP SLAB & BASE SECTION WILL BE PROVIDED AS A ONE-PIECE MONOLITHIC SECTION.

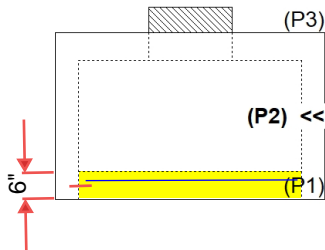
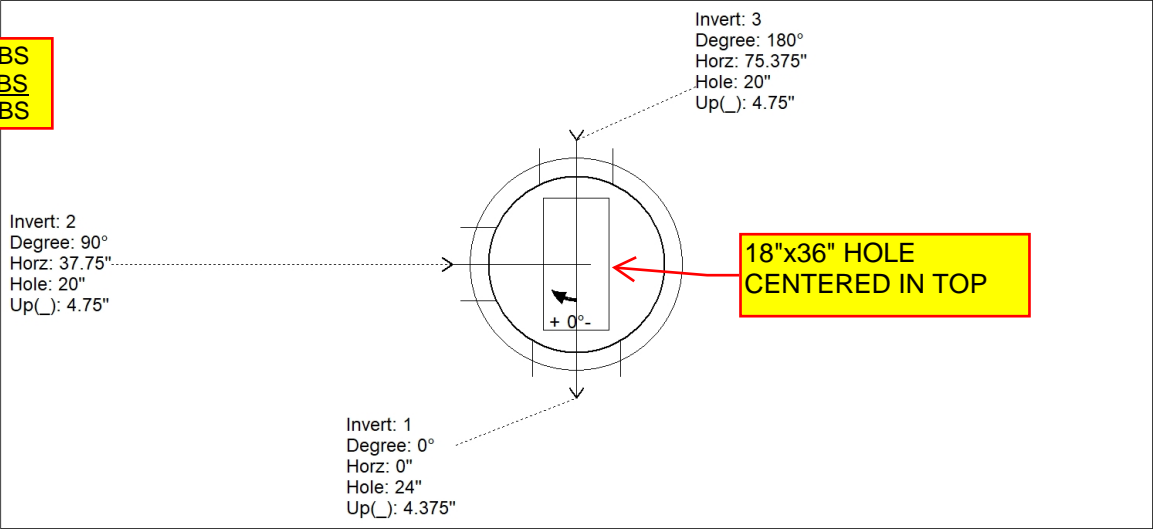
REINFORCING PER ASTM A615 (GRADE 60).  
 - WALLS (As .31) #5 BARS AT 12" C.C.E.W.  
 - FLOOR (As .31) #5 BARS AT 12" C.C.E.W.

Rim: 448.4' Rim to Invert: 3' Slack: 0.5" Sump: 0" Step Position:

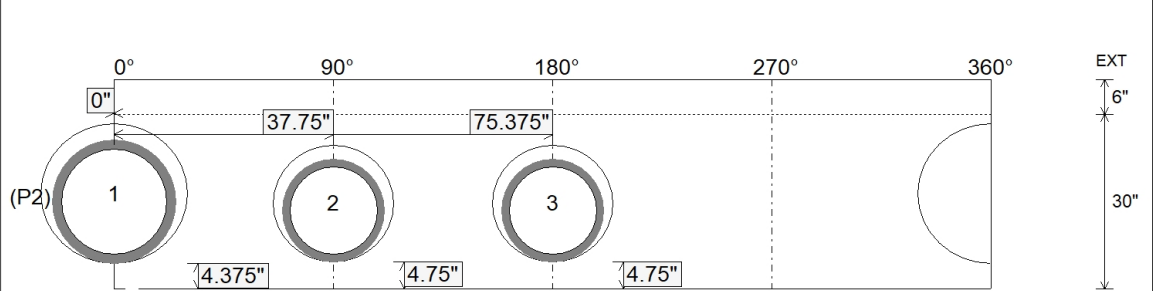
Position	Elev	Angle	Ext. (cw)	Pipe	Pipe OD	Connector	Hole	Horz Size	Up ( )	Offset
Invert 1	445.4'	0°	0"	18" HDPE	21.2"	Hole 24	24"	25.133"	4.375"	0"
Invert 2	445.4'	90°	45.5"	15" HDPE	17.6"	Hole 20	20"	20.629"	4.75"	0"
Invert 3	445.4'	180°	91.125"	15" HDPE	17.6"	Hole 20	20"	20.629"	4.75"	0"
Invert 4										
Invert 5										
Invert 6										
Invert 7										
Invert 8										

**RIGHT-SIDE UP VIEW (int. dimensions)**

**1st POUR (MONOTOP) = 2,697 LBS**  
**2nd POUR (INT. FLOOR) = 911 LBS**  
**Total Weight = 3,608 LBS**



**INSIDE WALL DIMENSIONS**



Coating (Int): Coating (Ext):	Seam Up: Flat Seam Dn: Flat	Wall Thickness: 5" Floor Height: 6"	Height (Int): 30" Height (Ext): 36"	Weight (Net): 2697 lb Volume (Net): 0.69cu.yd
----------------------------------	--------------------------------	--	--	--