

Job Name: 25-2468 Kerrick Elementary
Job Location: Louisville, KY
Contractor: KY Earthworks

PC: J. Jarvis
 TECH: J. Horsley
 Plant: Beaver Dam



Structure ID: **ST 18-CB**
 Spec: MSD
 Type: CB DOUBLE
 Size: 18" x 36"

Rim: 448.4'
 Invert: 446.25'
 Rim to Invert: 2.15'

Sump: 0"
 Floor (Top): 446.25'
 Floor Height: 8"

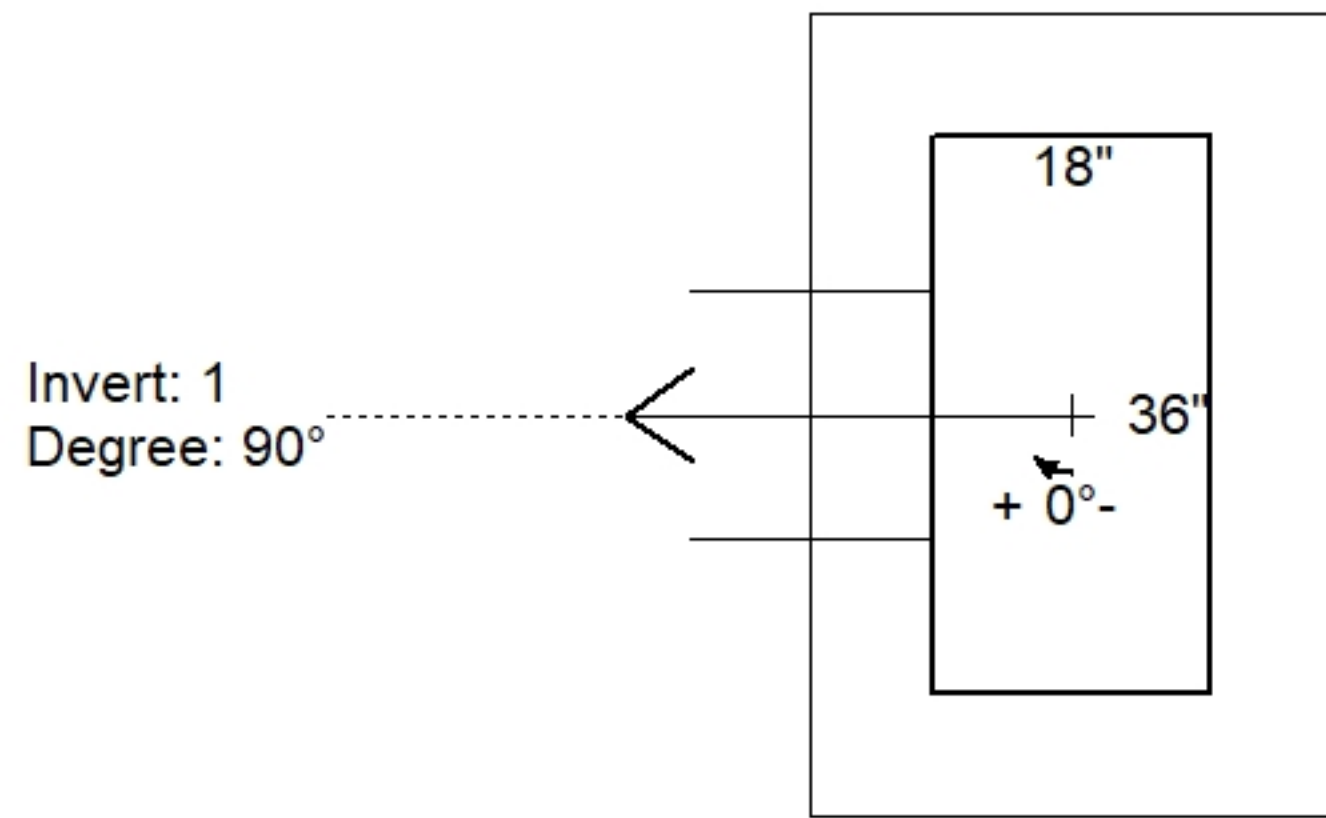
Floor (Bot): 445.583'
 Overall Height: 2.792'
 Slack: 0.3"

Structure Notes:
 1. PER LOUISVILLE MSD/ ASTM C913 SPECIFICATIONS.
 2. CONCRETE = 4,000 PSI AT 28 DAYS.
 3. CASTING BY OTHERS (HOE 580-A F/G)

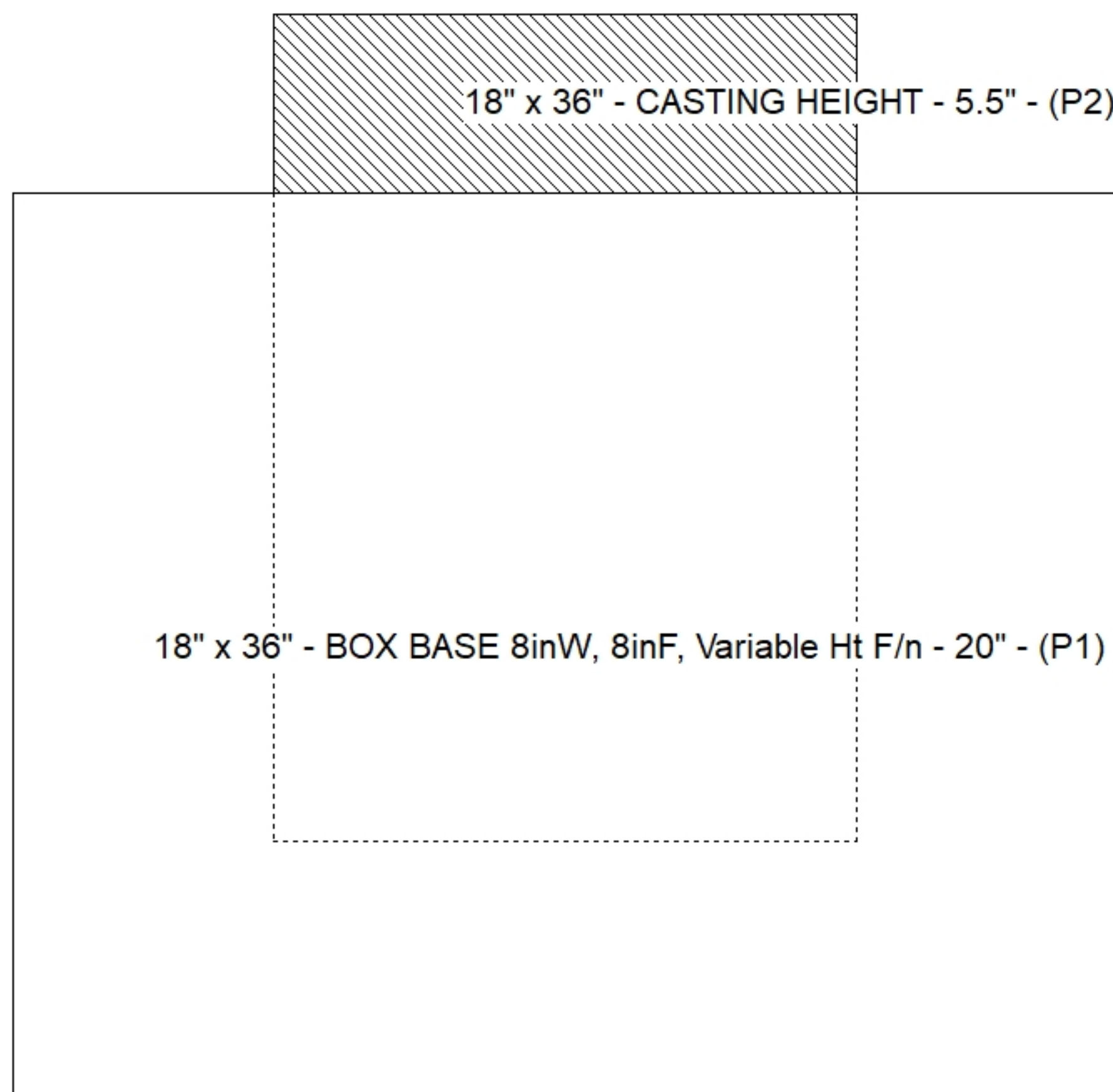
REINFORCING PER ASTM A615 (GRADE 60).
 - WALLS (As .31) #5 BARS AT 12" C.C.E.W.
 - FLOOR (As .31) #5 BARS AT 12" C.C.E.W.

STRUCTURE SUMMARY:

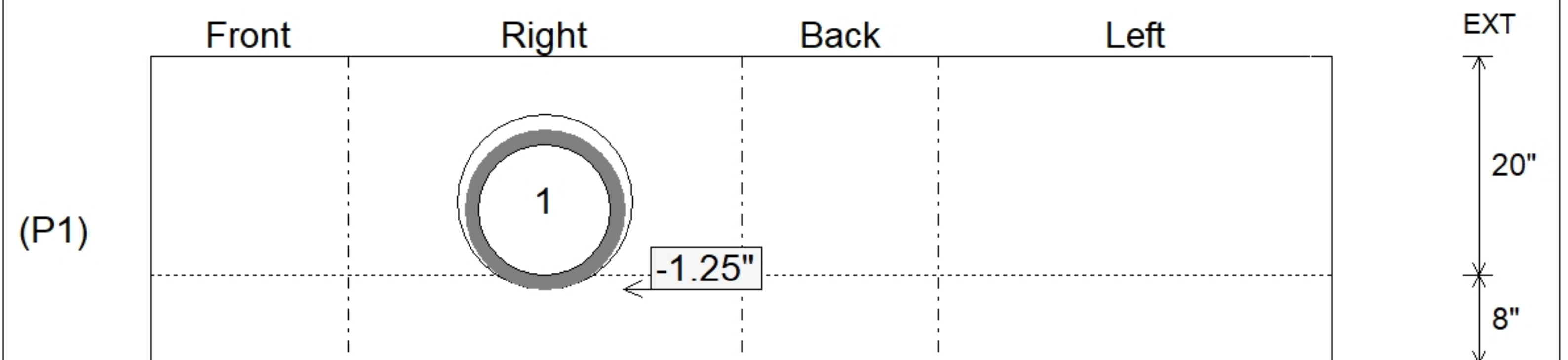
| | |
|--|----------------|
| P2) 18" x 36" - CASTING HEIGHT - 5.5" | 0 lb |
| P1) 18" x 36" - BOX BASE 8inW, 8inF, Variable Ht F/n - 20" | 2932 lb |
| 1) 18" x 36" - Conseal CS-102 1.00" | 0 lb |
| 1) Hole - 16 | 0 lb |
| Structure Total: | 2932 lb |



| Position | Elev | Angle | Pipe | Pipe OD | Hole | Connector | Up () | Ref |
|----------|---------|-------|----------|---------|------|-----------|--------|-----|
| Rim | 448.4' | | | | | | | |
| Reducer | | | | | | | | |
| Invert 1 | 446.25' | 90° | 12" HDPE | 14.5" | 16" | Hole 16 | -1.25" | P1 |
| Invert 2 | | | | | | | | |
| Invert 3 | | | | | | | | |
| Invert 4 | | | | | | | | |
| Invert 5 | | | | | | | | |
| Invert 6 | | | | | | | | |
| Invert 7 | | | | | | | | |
| Invert 8 | | | | | | | | |



Cast (Int. Dim.) - Interior Dimensions



Submittal Drawing
 11/14/2025 2:16:35 PM

SUBMITTAL
 APPROVED BY: