

**Job Name: 25-2468 Kerrick Elementary**  
**Job Location: Louisville, KY**  
**Contractor: KY Earthworks**

PC: J. Jarvis  
 TECH: J. Horsley  
 Plant: Beaver Dam



Structure ID: **ST 16-CB**

Spec: Storm  
 Type: STM.MH (mono str)  
 Size: 48"

Rim: 448.4'  
 Invert: 445.4'  
 Rim to Invert: 3'

Sump: 0"  
 Floor (Top): 445.4'  
 Floor Height: 6"

Floor (Bot): 444.9'  
 Overall Height: 3.458'  
 Slack: 0.5"

**Structure Notes:**

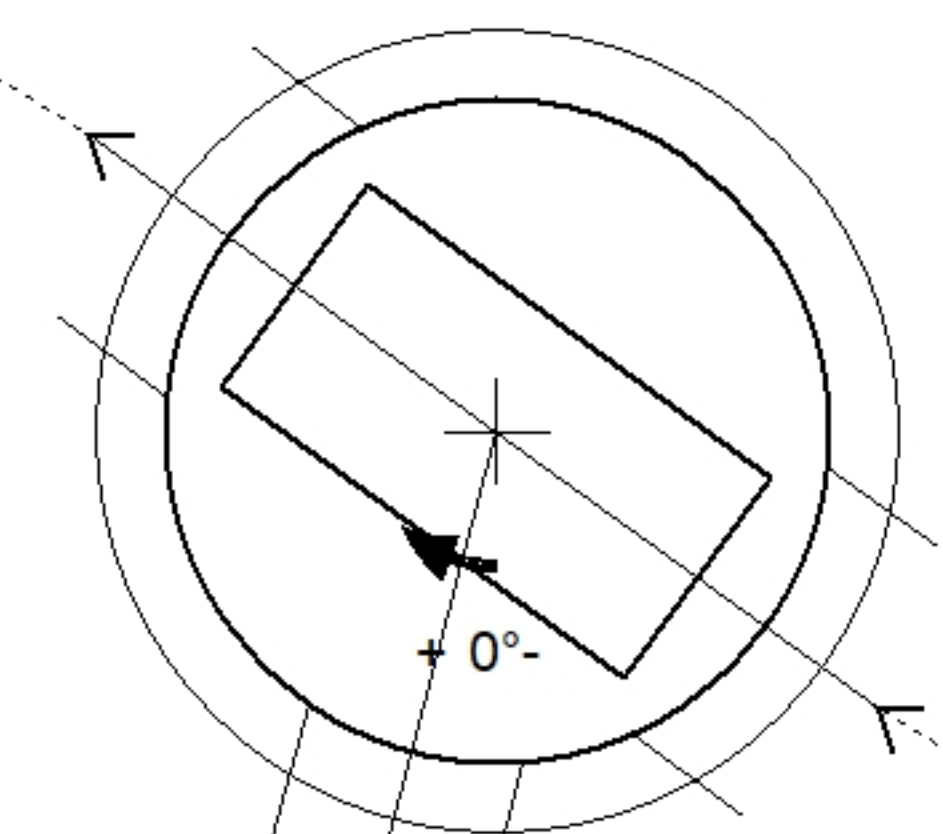
- PER LOUISVILLE MSD DOUBLE CB/ ASTM C478 SPECIFICATIONS.
- CONCRETE = 4,000 PSI AT 28 DAYS.
- CASTING SUPPLIED BY OTHERS (HOE 580-A F/G)
- NOTE: DUE TO THE SHALLOW DEPTH, THE TOP SLAB & BASE SECTION WILL BE PROVIDED AS A ONE-PIECE MONOLITHIC SECTION.

REINFORCING PER ASTM A615 (GRADE 60).  
 - TOP SLAB (As .62) #5 BARS AT 6" C.C.E.W..  
 - RISER/WALLS (As .12)  
 - FLOOR (As .31) #5 BARS AT 12" C.C.E.W.

**STRUCTURE SUMMARY:**

|  |                |
|--|----------------|
| P3) 18" x 36" - CASTING HEIGHT - 5.5"              | 0 lb           |
| P2) 48" - MH MONOTOP (FB) w/18"x36" Hole F/F - 36" | 2620 lb        |
| P1) 48" - SECONDARY FLOOR F/n - 6"                 | 897 lb         |
| 1) 48" - SGL 1"x14.5' Butyl (2x)                   | 0 lb           |
| 2) Hole - 24                                       | 0 lb           |
| 1) Hole - 16                                       | 0 lb           |
| <b>Structure Total:</b>                            | <b>3516 lb</b> |

Invert: 1  
 Degree: 126°

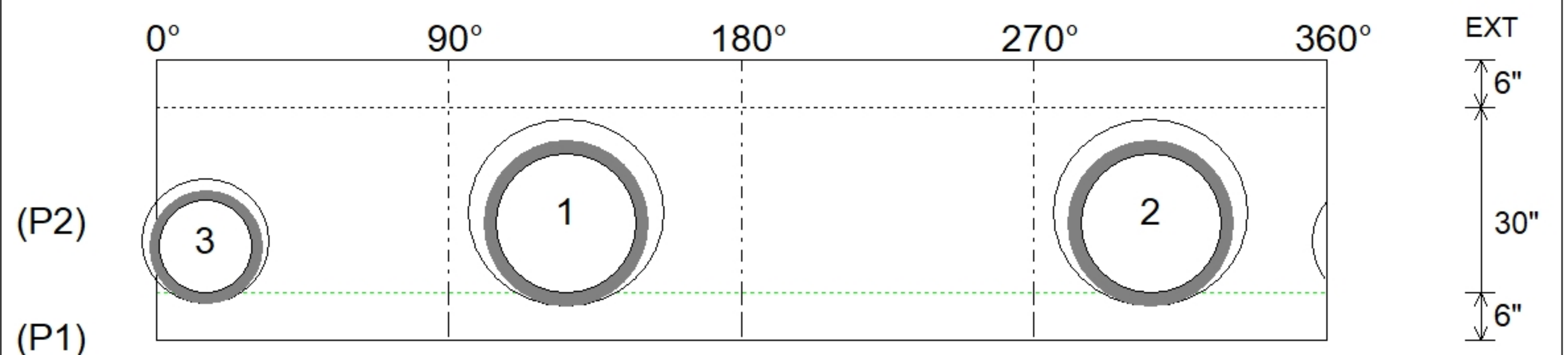
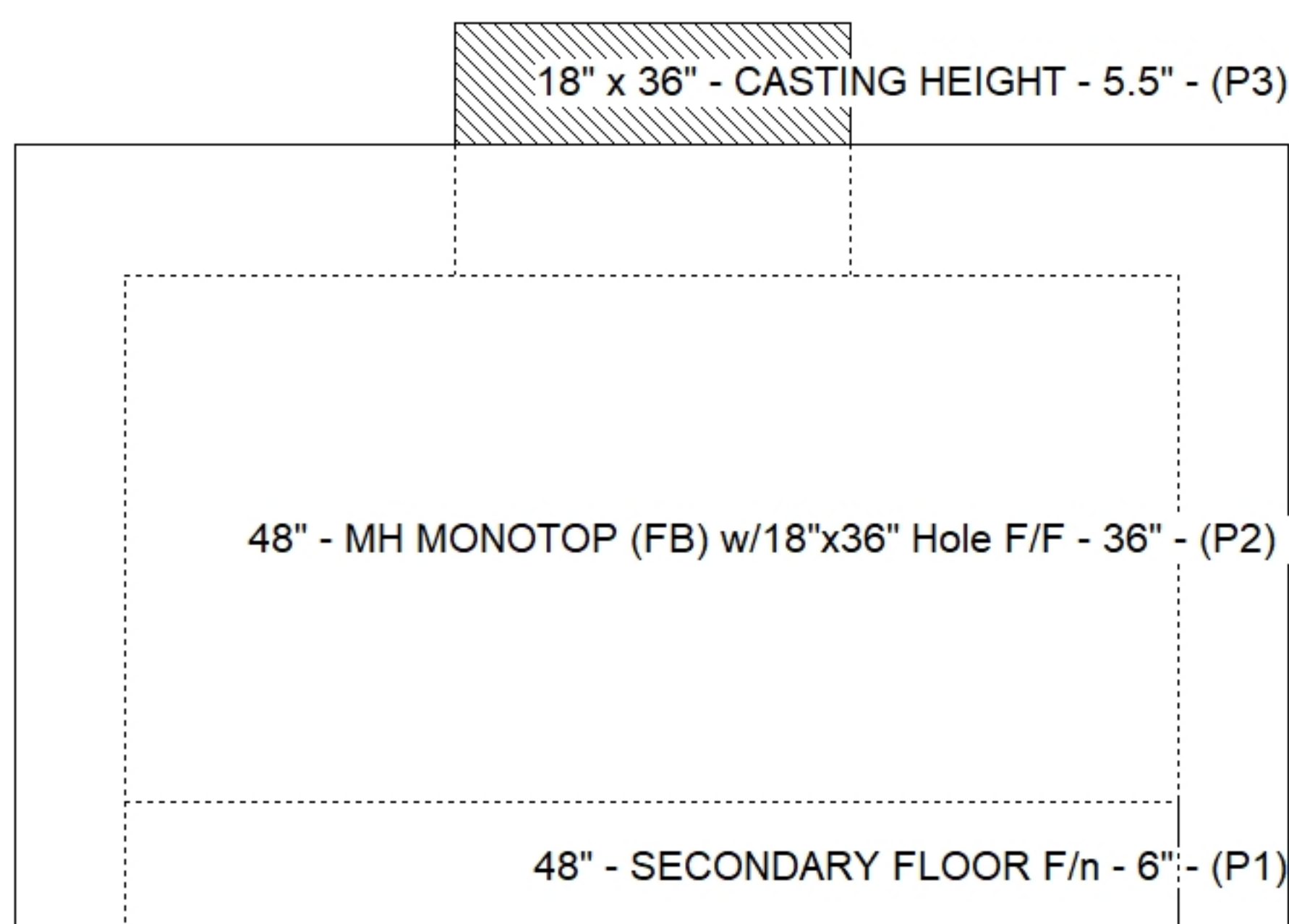


Invert: 2  
 Degree: 306°

Invert: 3  
 Degree: 15°

| Position | Elev   | Angle | Pipe     | Pipe OD | Hole | Connector | Up (L) | Ref |
|----------|--------|-------|----------|---------|------|-----------|--------|-----|
| Rim      | 448.4' |       |          |         |      |           |        |     |
| Reducer  |        |       |          |         |      |           |        |     |
| Invert 1 | 445.4' | 126°  | 18" HDPE | 21.2"   | 24"  | Hole 24   | 4.375" | P2  |
| Invert 2 | 445.4' | 306°  | 18" HDPE | 21.2"   | 24"  | Hole 24   | 4.375" | P2  |
| Invert 3 | 445.4' | 15°   | 12" HDPE | 14.5"   | 16"  | Hole 16   | 4.75"  | P2  |
| Invert 4 |        |       |          |         |      |           |        |     |
| Invert 5 |        |       |          |         |      |           |        |     |
| Invert 6 |        |       |          |         |      |           |        |     |
| Invert 7 |        |       |          |         |      |           |        |     |
| Invert 8 |        |       |          |         |      |           |        |     |

**Cast (Int. Dim.) - Interior Dimensions**



Submittal Drawing  
 11/14/2025 2:16:31 PM

SUBMITTAL  
 APPROVED BY: