

Job Name: 25-2468 Kerrick Elementary
 Job Location: Louisville, KY
 Contractor: KY Earthworks

Plant: Beaver Dam

Tech: J. Horsley

11/20/2025 11:37:39 AM

PC: J. Jarvis



Structure ID: ST 16-CB

P2 MH048MT-FBVF

MH MONOTOP (FB) w/18"x36" Hole F/F

- P3) 18" x 36" - CASTING HEIGHT - 5.5"
- P2) 48" - MH MONOTOP (FB) w/18"x36" Hole F/F - 36"
- P1) 48" - SECONDARY FLOOR F/n - 6"
- 1) 48" - SGL 1"x14.5' Butyl (2x)
- 2) Hole - 24
- 1) Hole - 16

0 lb
 2620 lb
 897 lb
 0 lb
 0 lb
 0 lb
 Structure Total: 3516 lb

Structure Notes:
 1. PER LOUISVILLE MSD DOUBLE CB/ ASTM C478 SPECIFICATIONS.
 2. CONCRETE = 4,000 PSI AT 28 DAYS.
 3. CASTING SUPPLIED BY OTHERS (HOE 580-A F/G)
 4. NOTE: DUE TO THE SHALLOW DEPTH, THE TOP SLAB & BASE SECTION WILL BE PROVIDED AS A ONE-PIECE MONOLITHIC SECTION.

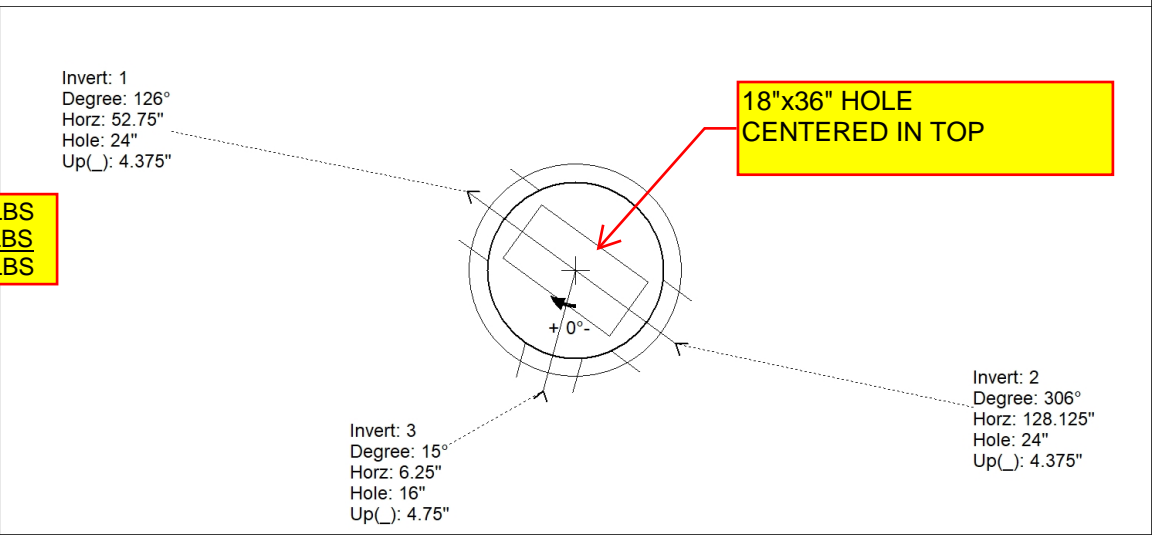
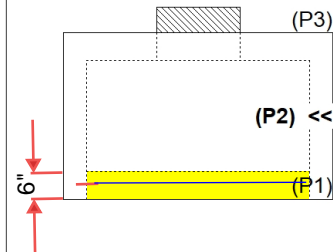
REINFORCING PER ASTM A615 (GRADE 60).
 - TOP SLAB (As .62) #5 BARS AT 6" C.C.E.W..
 - RISER/WALLS (As .12)
 - FLOOR (As .31) #5 BARS AT 12" C.C.E.W.

Rim: 448.4' Rim to Invert: 3' Slack: 0.5' Sump: 0' Step Position:

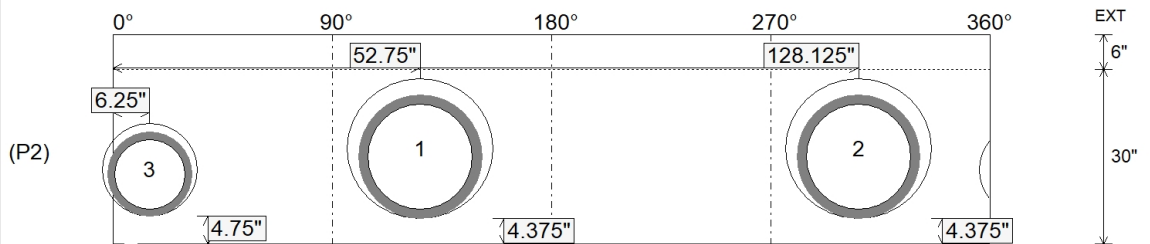
Position	Elev	Angle	Ext. (cw)	Pipe	Pipe OD	Connector	Hole	Horz Size	Up ()	Offset
Invert 1	445.4'	126°	63.75"	18" HDPE	21.2"	Hole 24	24"	25.133"	4.375"	0"
Invert 2	445.4'	306°	154.875"	18" HDPE	21.2"	Hole 24	24"	25.133"	4.375"	0"
Invert 3	445.4'	15°	7.625"	12" HDPE	14.5"	Hole 16	16"	16.312"	4.75"	0"
Invert 4										
Invert 5										
Invert 6										
Invert 7										
Invert 8										

RIGHT-SIDE UP VIEW (int. dimensions)

1st POUR (MONOTOP) = 2,697 LBS
 2nd POUR (INT. FLOOR) = 911 LBS
 Total Weight = 3,531 LBS



INSIDE WALL DIMENSIONS



Coating (Int):
 Coating (Ext):

Seam Up: Flat
 Seam Dn: Flat

Wall Thickness: 5"
 Floor Height: 6"

Height (Int): 30"
 Height (Ext): 36"

Weight (Net): 2620 lb
 Volume (Net): 0.67cu.yd