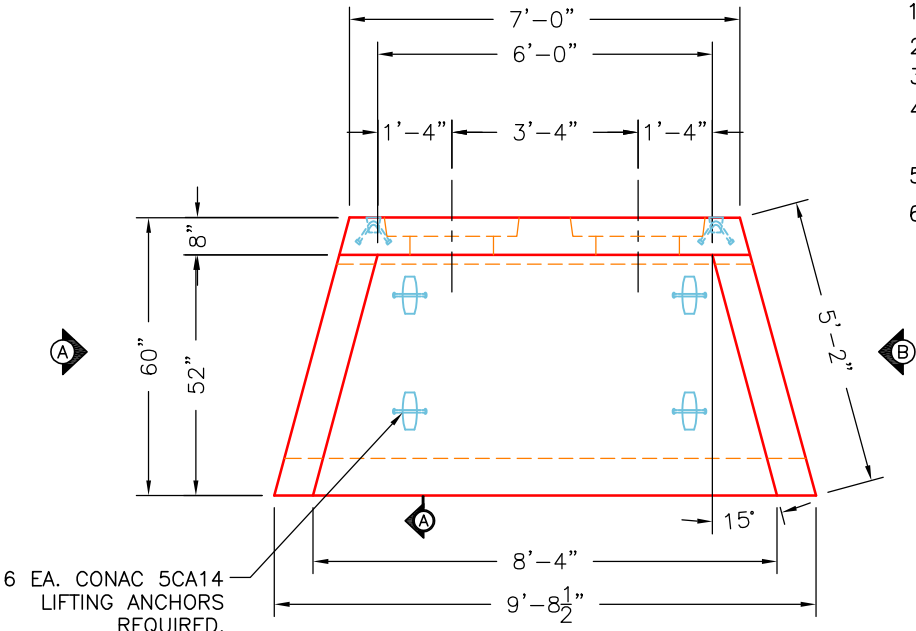
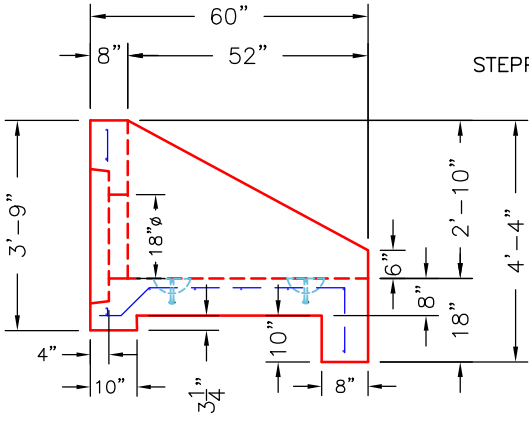


GENERAL NOTES:

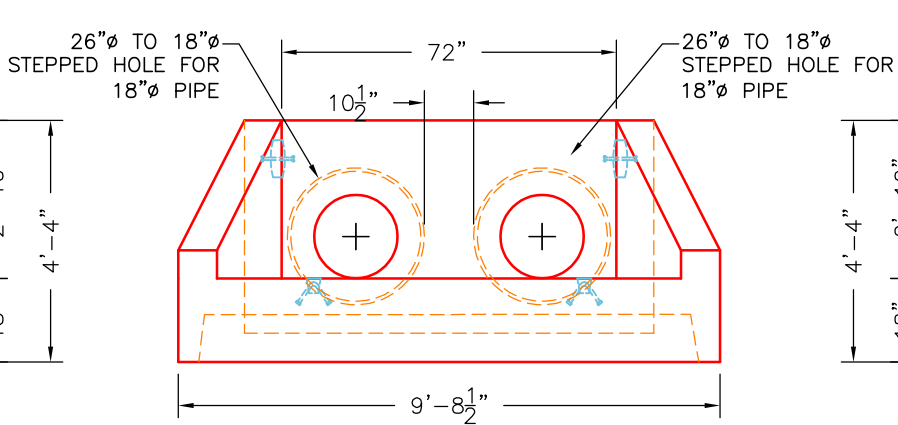
1. PER KTYC STANDARD HEADWALL DRAWINGS.
2. MINIMUM 2" CONCRETE COVER ON REBAR.
3. CONCRETE-4500 PSI @ 28 DAYS.
4. ALL PICK UP POINTS GROUTED BY CONTRACTOR. WITH STATE APPROVED NON-SHRINK GROUT.
5. REINFORCING: #5 @ 12" C/C E.W. TYPICAL.
6. WEIGHT: 8,950 LBS.



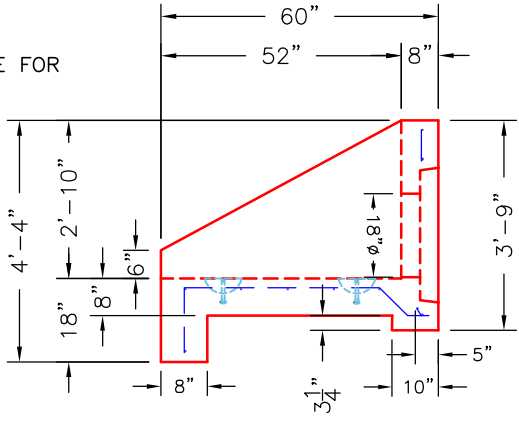
PLAN VIEW




VIEW A



FRONT ELEVATION



VIEW B

PRODUCTION WORK ORDER		PRODUCT I.D.: HWCUSTOM	DESCRIPTION: CUSTOM DOUBLE SFHW FOR 18" & 18" PIPE		
	QUALITY CONTROL CHECKLIST	PRODUCT VIEW: RIGHT SIDE UP	CUSTOMER: KY EARTHWORKS		
	<input type="checkbox"/> ALL DIMENSIONS CORRECT.	PLANT: BEAVER DAM, KY.	PROJECT: KERRICK ELEMENTARY SCHOOL		
	<input type="checkbox"/> LIFTERS INSTALLED.	WEIGHT: 8,950 LBS.	STRUCTURE: ST 1-HDW (HWSF SPEC. 18 -18)		
	<input type="checkbox"/> OPENING CENTERED.	TOP SECTION JOINT: N/A	QUOTE/ORDER NO: 25-2468		
	<input type="checkbox"/> REINFORCING CORRECT.	BASE SECTION JOINT: N/A	CHECK: B. SMITH	DRAWING: J. HORSLEY	
	<input type="checkbox"/> SURFACE QUALITY ACCEPTABLE.	QC CHECK INITIALS:	DATE: 08/25/25	SCALE: NTS	PG. 1 of 1
	<input type="checkbox"/> EDGES CHAMFERED.				
<input type="checkbox"/> ALL PATCHWORK ACCEPTABLE.					