

Structure ID: SAN. MH 432.40

P3 MH048RS48

MH RISER T/G

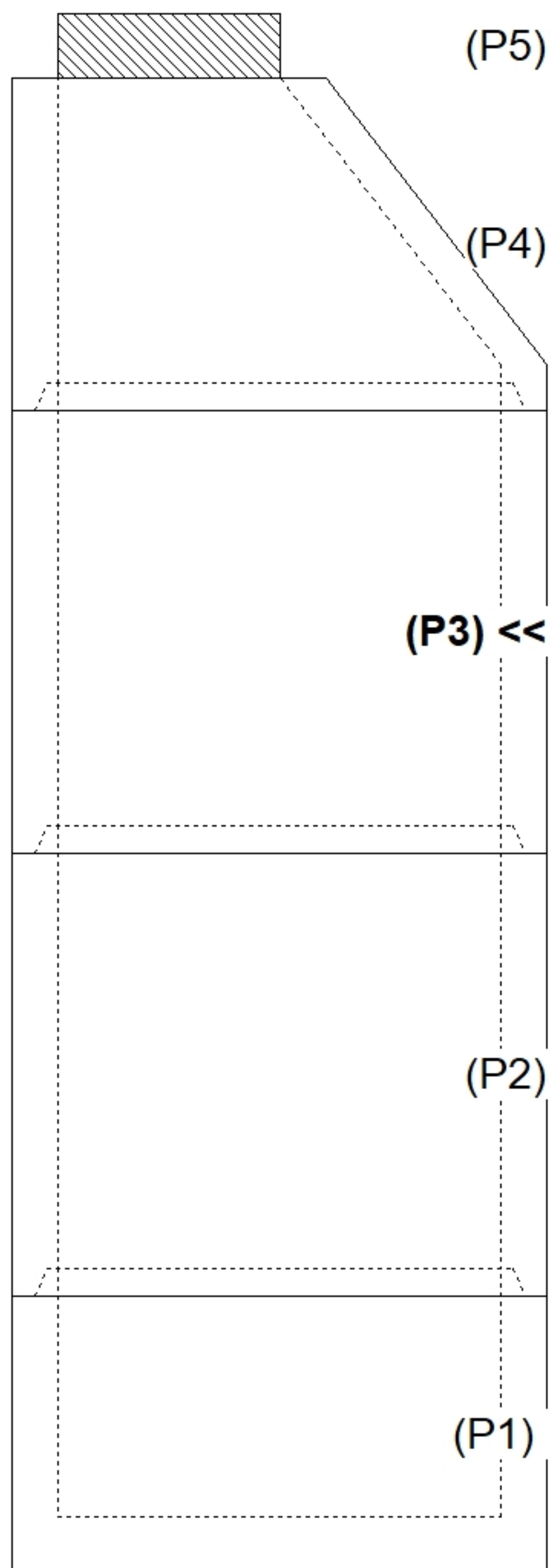
P5) 24" - CASTING HEIGHT - 7" P4) 48" - ECC CONE w/ 24" HOLE F/G - 36" P3) 48" - MH RISER T/G - 48" P2) 48" - MH RISER T/G - 48" P1) 48" - MH BASE T/n - 24" 1) 48" - MH INVERT CHANNEL - FULL HEIGHT 1) JOINT WRAP - 0.065"x12"x50' CONSEAL CS212 1) JOINT WRAP PRIMER - CONSEAL CS-75 (1 gal.) 3) 48" - Conseal CS-102 1.00" (Double) 2) PSX - 12-08 NYLO 13) MH Step ML-10-TDS-NCR - 10"	0 lb 3000 lb 3353 lb 3353 lb 2911 lb 1440 lb 0 lb 0 lb 0 lb 0 lb 16 lb 0 lb ----- 14073 lb	Structure Notes: 1. PER LOUISVILL MSD/ ASTM C478 SPECIFICATIONS. 2. CONCRETE = 4,000 PSI AT 28 DAYS. 3. CASTING BY OTHERS (HOE WT-420 F/C). 4. CHIMENY SEAL BY OTHERS. REINFORCING PER ASTM A615 (GRADE 60). - CONE (As .12) - RISER (As .12) - FLOOR (As .31) #5 BARS AT 12" C.C.E.W.
---	---	---

Structure Total: 14073 lb

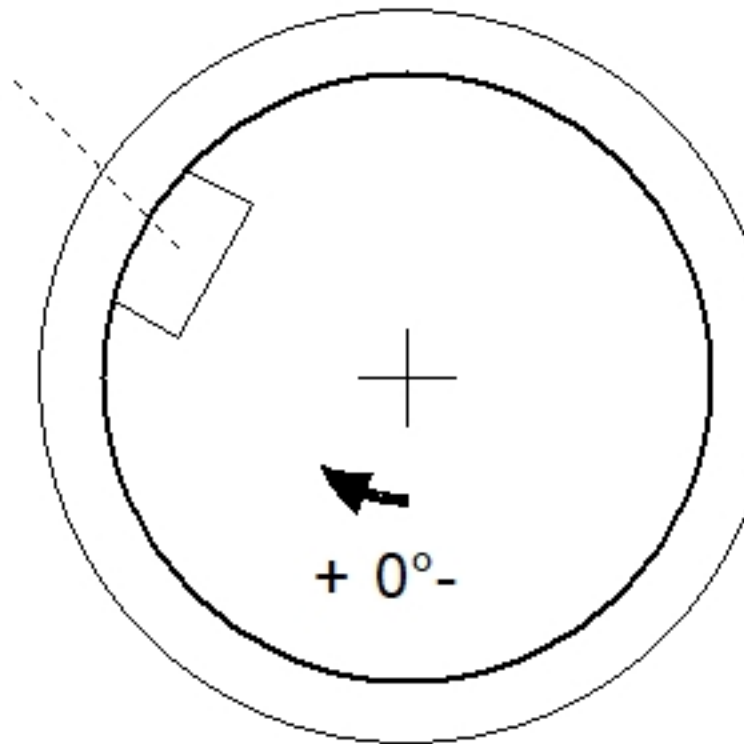
Rim: 445.8' Rim to Invert: 13.45' Slack: 1.4" Sump: 3" Step Position: 119°

Position	Elev	Angle	Ext. (cw)	Pipe	Pipe OD	Connector	Hole	Horz Size	Up (L)	Offset
Invert 1										
Invert 2										
Invert 3										
Invert 4										
Invert 5										
Invert 6										
Invert 7										
Invert 8										

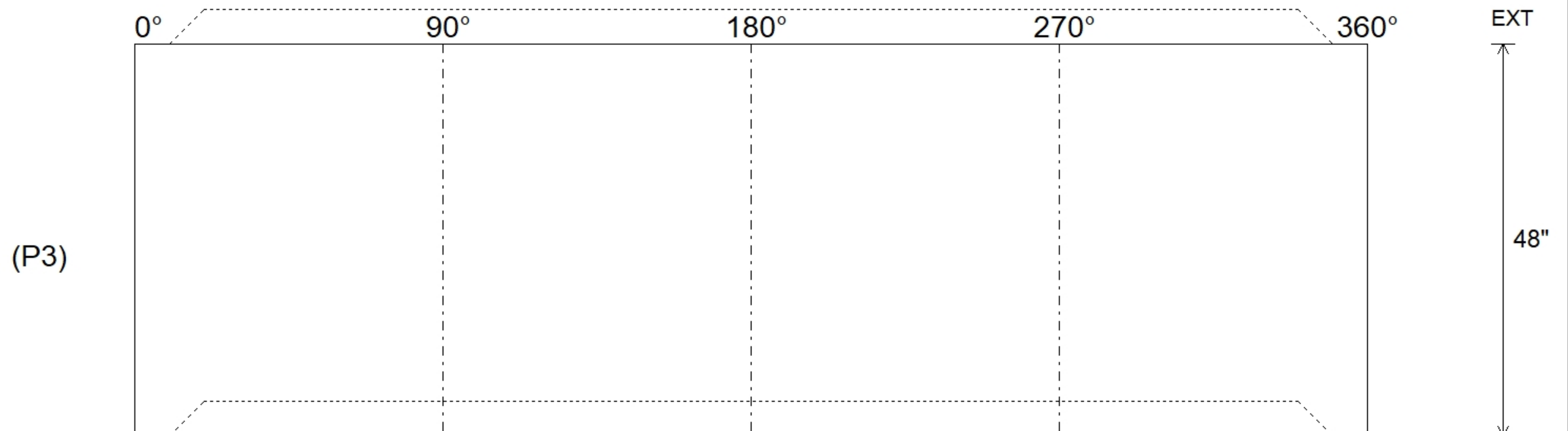
RIGHT-SIDE UP VIEW (int. dimensions)



Step: 119°
Horz: 49.875"



INSIDE WALL DIMENSIONS



Coating (Int):	Seam Up: Tongue Seam Dn: Groove	Wall Thickness: 5" Floor Height: 0"	Height (Int): 48" Height (Ext): 48"
Coating (Ext):			Weight (Net): 3353 lb Volume (Net): 0.86cu.yd