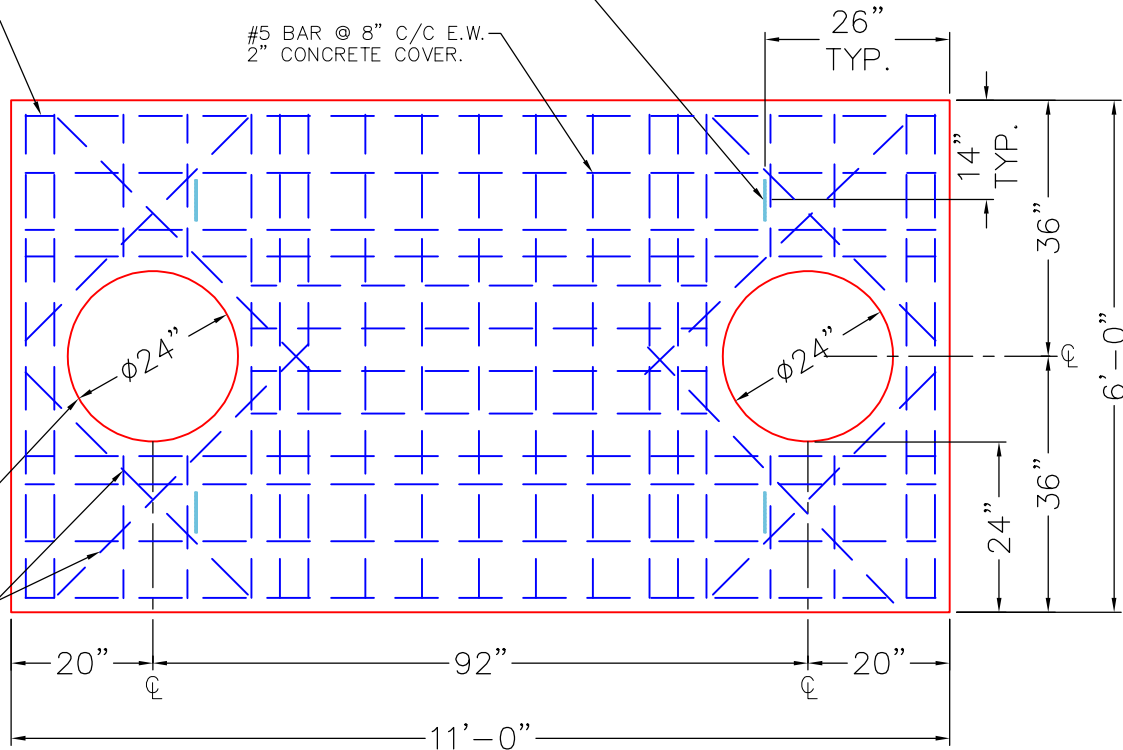


THIS DRAWING IS INTENDED TO BE PRINTED IN COLOR.

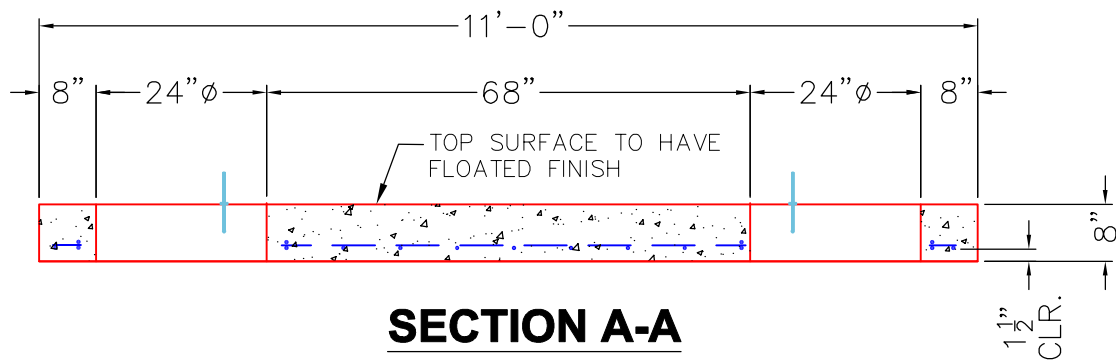
4 EA. CONAC WRA016  
WIRE ROPE ANCHORS  
CAST IN TOP SLAB AS SHOWN  
FOR PLANT & FIELD HANDLING.

#5 BAR @ 4" C/C  
AROUND OPENINGS  
2" CONCRETE COVER.

#5 BAR @ 8" C/C E.W.  
2" CONCRETE COVER.



### PLAN VIEW



### SECTION A-A

**NOTES:**

1. PER ASTM C-890-13 LATEST REVISION.
2. CONCRETE = 5,000 PSI AT 28 DAYS.
3. REINFORCING: #5 BAR @ 8" C/C E.W. (GRADE 60).  
(H-20 TRAFFIC RATED DESIGN)
4. SEALED WITH 1" CS-102. (6 EA. 14.5' ROLLS REQ'D.)

<b>PRODUCTION WORK ORDER</b>		PRODUCT I.D.: BX60120-08LD08	DESCRIPTION: 60in x120in Flat Lid, 8in Ht, 6inWall, (2)24in Holes
	<b>QUALITY CONTROL CHECKLIST</b>		CUSTOMER: KY EARTHWORKS
	<input type="checkbox"/> ALL DIMENSIONS CORRECT. <input type="checkbox"/> LIFTERS INSTALLED. <input type="checkbox"/> HOLES LOCATION(S) CORRECT. <input type="checkbox"/> REINFORCING & SPACING CORRECT. <input type="checkbox"/> DIAGONAL STEEL TIED IN. <input type="checkbox"/> FLAT ON BOTTOM OF SLAB. <input type="checkbox"/> UNIFORM FLOATED SURFACE.		PROJECT: KERRICK ELEMENTARY
	PRODUCT VIEW: RIGHT-SIDE UP		STRUCTURE: GT 1000gal - SEC. 2
	PLANT: BEAVER DAM, KY.		QUOTE/SALES ORDER NO: 25-2468
	WEIGHT: 5,775 LBS.		PC: J.H. ROSS, PE
TOP SECTION JOINT: N/A		DRAWING: J. HORSLEY	
BOTTOM OF SLAB JOINT: FLAT		DATE: 01/20/26	
QC CHECK INITIALS:		PAGE: 1 OF 1	