

Job Name: 25-2468 Kerrick Elementary
Job Location: Louisville, KY
Contractor: KY Earthworks

PC: J. Jarvis
 TECH: J. Horsley
 Plant: Beaver Dam



Structure ID: **DS2**

Spec: Storm
 Type: STM.MH
 Size: 48"

Rim: 448.4'
 Invert: 444.6'
 Rim to Invert: 3.8'

Sump: 1.9"
 Floor (Top): 444.442'
 Floor Height: 6"

Floor (Bot): 443.942'
 Overall Height: 4.417'
 Slack: 0.5"

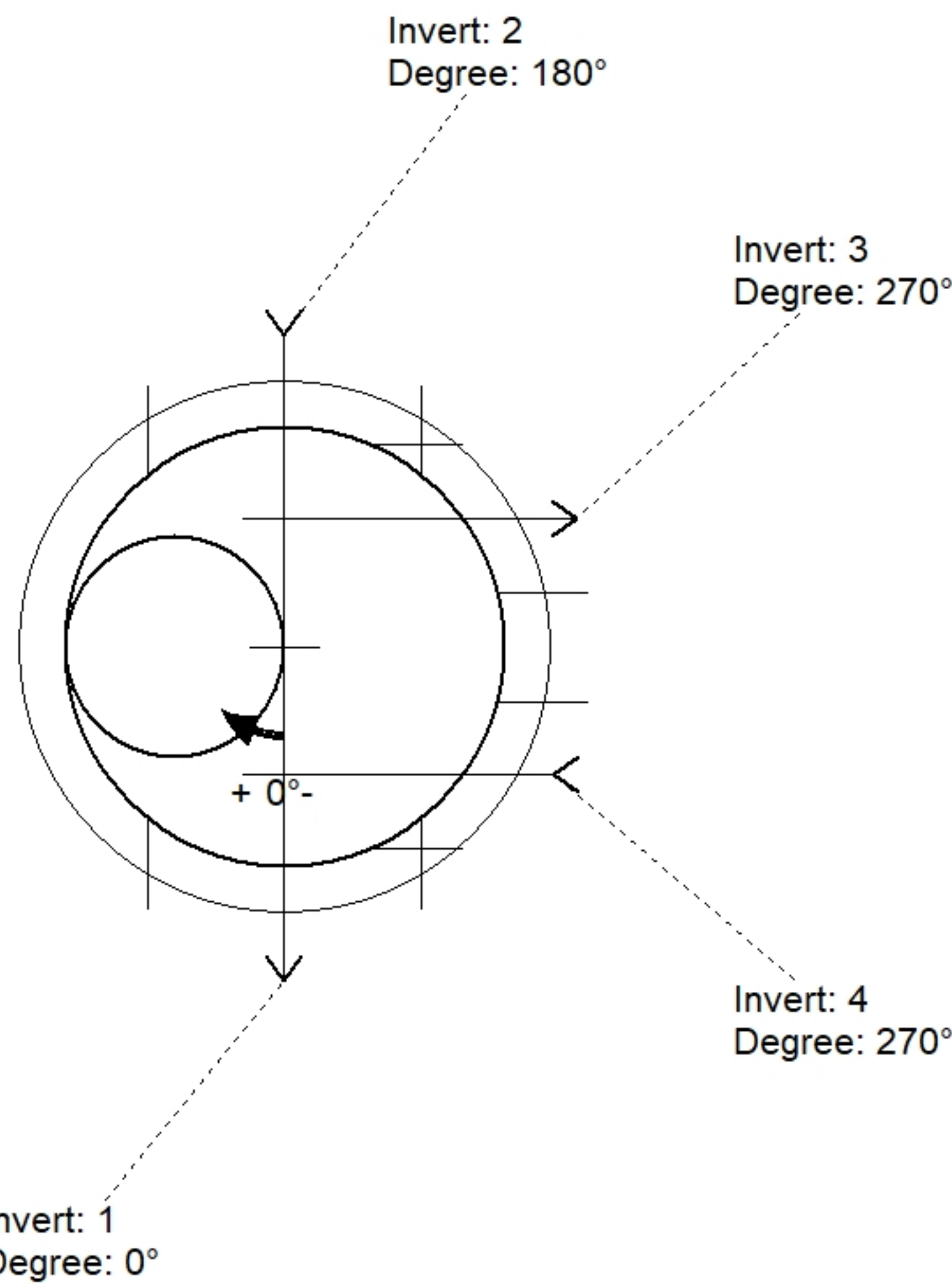
Structure Notes:

1. PER LOUISVILLE MSD/ ASTM C478 SPECIFICATIONS.
2. CONCRETE = 4,000 PSI AT 28 DAYS.
3. CASTING BY OTHERS (HOE MC-420 F/C).
4. WEIR WALL (6" WD x 11.5" TALL) TOP EL. 445.55'

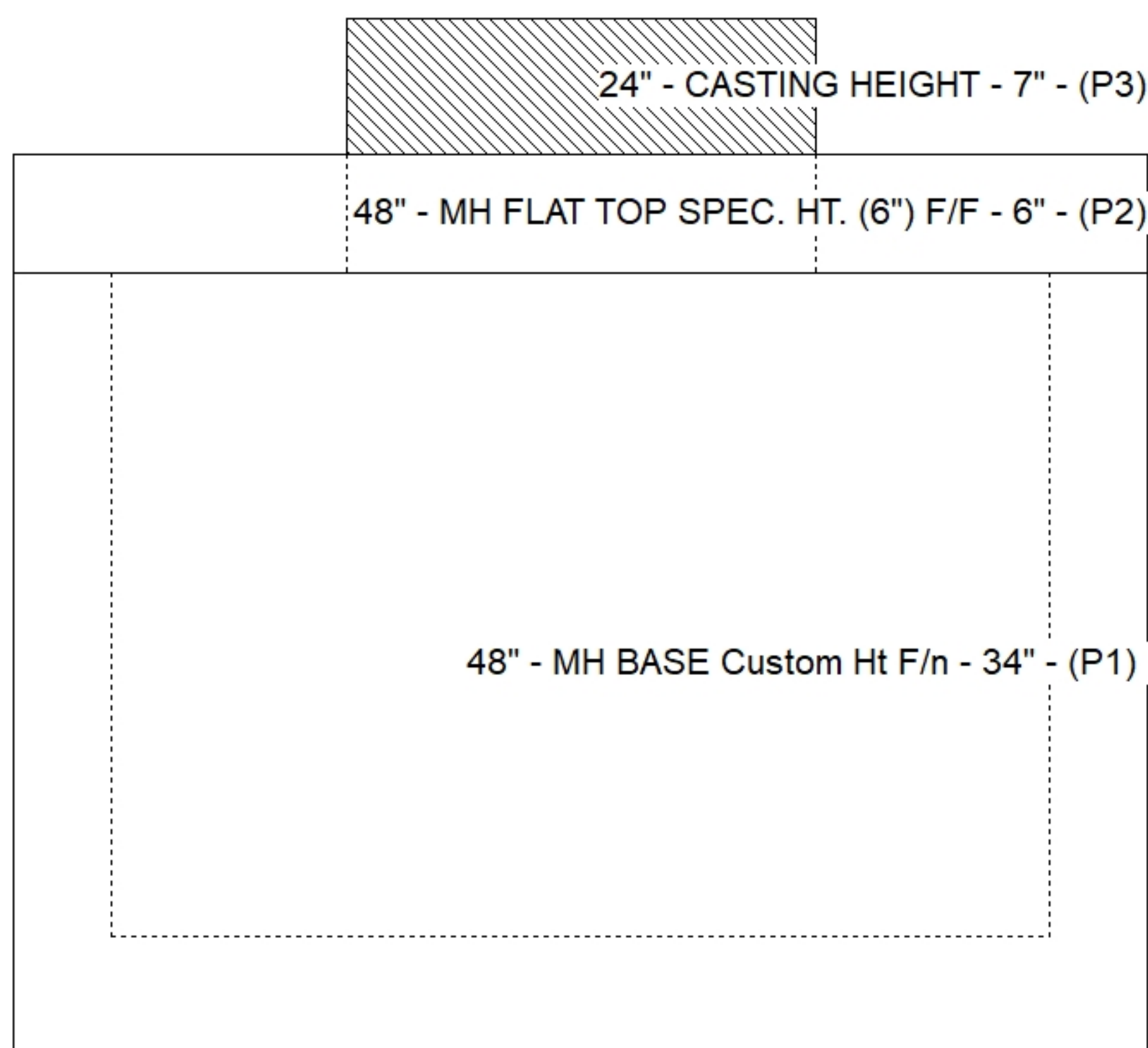
REINFORCING PER ASTM A615 (GRADE 60).
 - TOP SLAB (As .62) #5 BARS AT 6" C.C.E.W..
 - RISER/WALLS (As .12)
 - FLOOR (As .31) #5 BARS AT 12" C.C.E.W.

STRUCTURE SUMMARY:

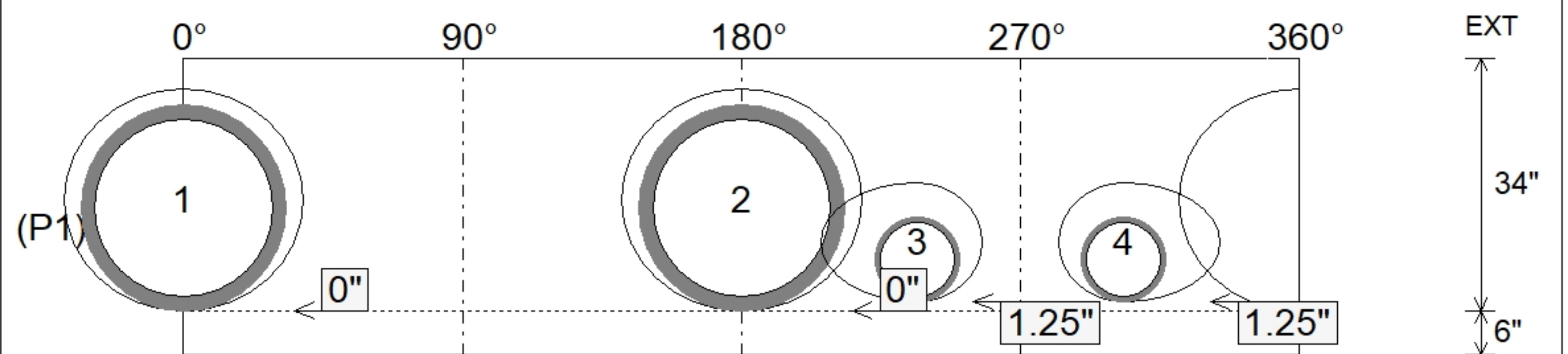
P3) 24" - CASTING HEIGHT - 7"	0 lb
P2) 48" - MH FLAT TOP SPEC. HT. (6") F/F - 6"	1102 lb
P1) 48" - MH BASE Custom Ht F/n - 34"	2859 lb
1) 60" x 12" - WEIR WALL 6" THK - SECONDARY POUR	363 lb
1) 48" - SGL 1"x14.5' Butyl (2x)	0 lb
2) Hole - 30	0 lb
2) Hole - 16	0 lb
Structure Total:	4324 lb



Position	Elev	Angle	Pipe	Pipe OD	Hole	Connector	Up ()	Ref
Rim	448.4'							
Reducer								
Invert 1	444.6'	0°	24" HDPE	27.8"	30"	Hole 30	0"	P1
Invert 2	444.6'	180°	24" HDPE	27.8"	30"	Hole 30	0"	P1
Invert 3	444.6'	270°	10" HDPE	11.4"	16"	Hole 16	1.25"	P1
Invert 4	444.6'	270°	10" HDPE	11.4"	16"	Hole 16	1.25"	P1
Invert 5								
Invert 6								
Invert 7								
Invert 8								



Cast (Int. Dim.) - Interior Dimensions



Submittal Drawing
 11/20/2025 4:06:31 PM

SUBMITTAL
 APPROVED BY: