

Job Name: 25-2468 Kerrick Elementary
 Job Location: Louisville, KY
 Contractor: KY Earthworks

Plant: Beaver Dam

Tech: J. Horsley

11/20/2025 4:07:06 PM

PC: J. Jarvis



Structure ID: DS2

P2 MH048LD06SP

MH FLAT TOP SPEC. HT. (6") F/F

- P3) 24" - CASTING HEIGHT - 7"
- P2) 48" - MH FLAT TOP SPEC. HT. (6") F/F - 6"
- P1) 48" - MH BASE Custom Ht F/n - 34"
- 1) 60" x 12" - WEIR WALL 6" THK - SECONDARY POUR
- 1) 48" - SGL 1"x14.5' Butyl (2x)
- 2) Hole - 30
- 2) Hole - 16

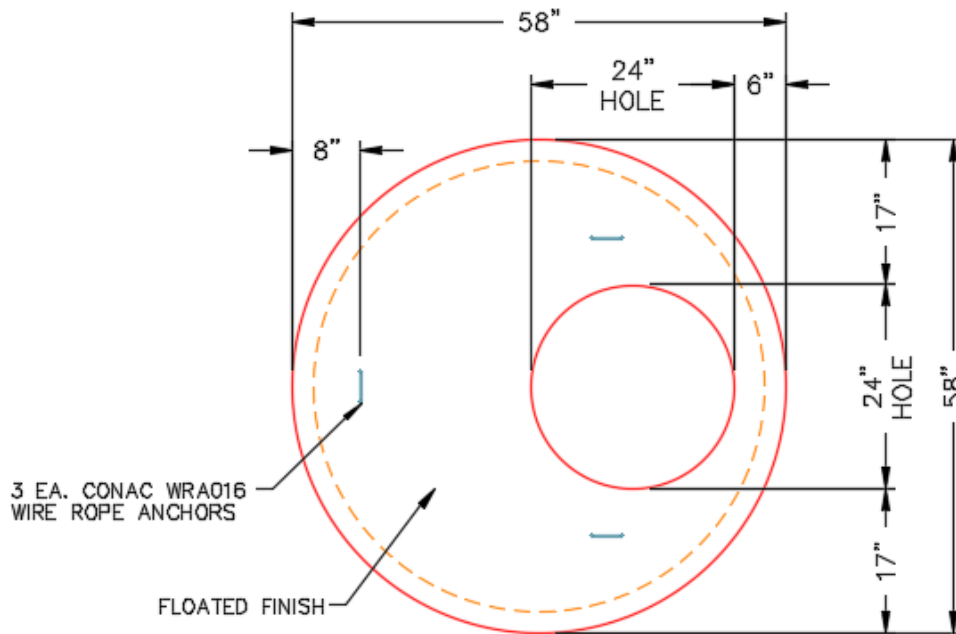
0 lb
 1102 lb
 2859 lb
 363 lb
 0 lb
 0 lb
 0 lb

 Structure Total: 4324 lb

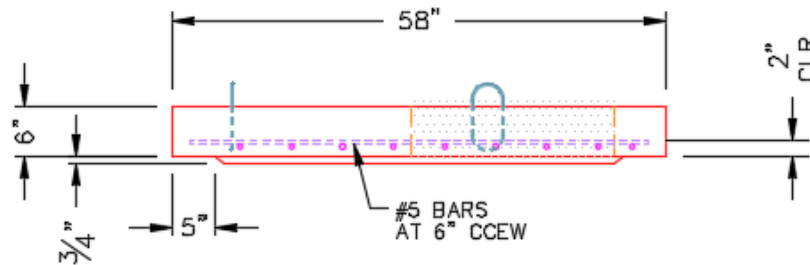
Structure Notes:

1. PER LOUISVILLE MSD/ ASTM C478 SPECIFICATIONS.
2. CONCRETE = 4,000 PSI AT 28 DAYS.
3. CASTING BY OTHERS (HOE MC-420 F/C).
4. WEIR WALL (6" WD x 11.5" TALL) TOP EL. 445.55'

- REINFORCING PER ASTM A615 (GRADE 60).
- TOP SLAB (As .62) #5 BARS AT 6" C.C.E.W..
 - RISER/WALLS (As .12)
 - FLOOR (As .31) #5 BARS AT 12" C.C.E.W.



PLAN VIEW



SECTION A-A

Coating (Int):
 Coating (Ext):

Seam Up: Flat
 Seam Dn: Flat

Wall Thickness: 5"

Height (Ext): 6"

Weight (Net): 1102 lb
 Volume (Net): 0.28cu.yd