

Job Name: 25-2468 Kerrick Elementary
Job Location: Louisville, KY
Contractor: KY Earthworks

PC: J. Jarvis
 TECH: J. Horsley
 Plant: Beaver Dam



Structure ID: DS1
 Spec: MSD
 Type: MH TYPE 1
 Size: 60"

Rim: 448.4'
 Invert: 443.85'
 Rim to Invert: 4.55'

Sump: 0"
 Floor (Top): 443.85'
 Floor Height: 8"

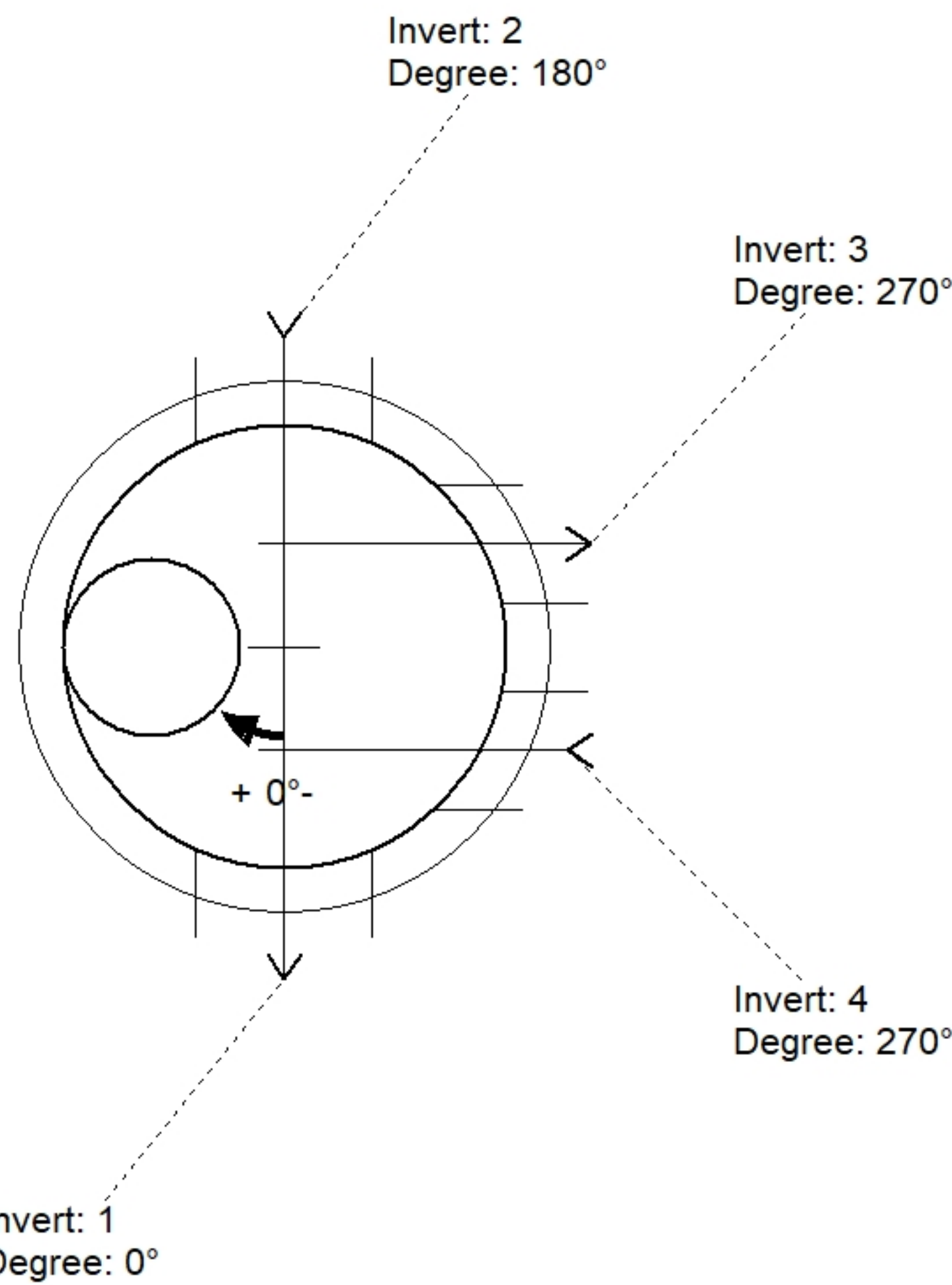
Floor (Bot): 443.183'
 Overall Height: 5.167'
 Slack: 0.6"

Structure Notes:

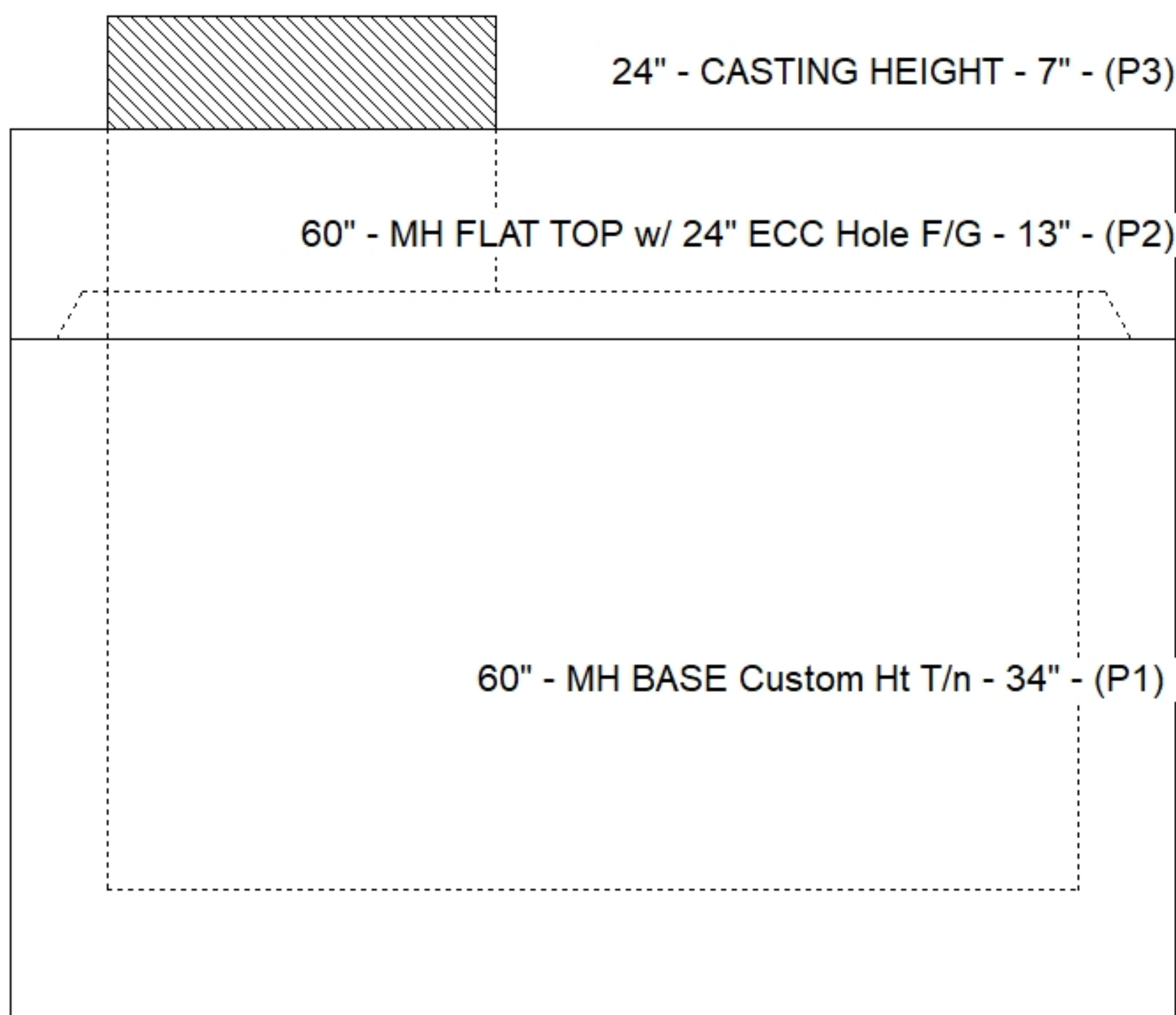
- PER LOUISVILLE MSD/ ASTM C478 SPECIFICATIONS.
 - CONCRETE = 4,000 PSI AT 28 DAYS.
 - CASTING BY OTHERS (HOE MC-420 F/C).
 - WEIR WALL (6" WD x 11.5" TALL) TOP EL. 444.80'
- REINFORCING PER ASTM A615 (GRADE 60).
 - TOP SLAB (As .62) #5 BARS AT 6" C.C.E.W..
 - RISER/WALLS (As 8)
 - FLOOR (As .31) #5 BARS AT 12" C.C.E.W.

STRUCTURE SUMMARY:

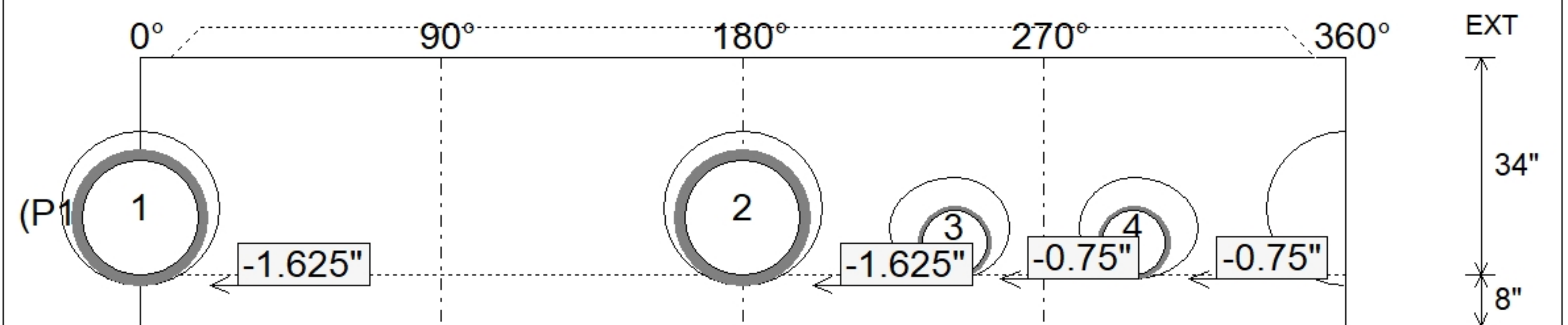
P3) 24" - CASTING HEIGHT - 7"	0 lb
P2) 60" - MH FLAT TOP w/ 24" ECC Hole F/G - 13"	2869 lb
P1) 60" - MH BASE Custom Ht T/n - 34"	5586 lb
1) 48" x 12" - WEIR WALL 6" THK - SECONDARY POUR	290 lb
1) 60" - SGL 1"x14.5' Butyl (2x)	0 lb
2) Hole - 24	0 lb
2) Hole - 16	0 lb
Structure Total:	8745 lb



Position	Elev	Angle	Pipe	Pipe OD	Hole	Connector	Up ()	Ref
Rim	448.4'							
Reducer								
Invert 1	443.85'	0°	18" HDPE	21.2"	24"	Hole 24	-1.625"	P1
Invert 2	443.85'	180°	18" HDPE	21.2"	24"	Hole 24	-1.625"	P1
Invert 3	443.85'	270°	10" HDPE	11.4"	16"	Hole 16	-0.75"	P1
Invert 4	443.85'	270°	10" HDPE	11.4"	16"	Hole 16	-0.75"	P1
Invert 5								
Invert 6								
Invert 7								
Invert 8								



Cast (Int. Dim.) - Interior Dimensions



Submittal Drawing
 11/14/2025 2:16:27 PM

SUBMITTAL
 APPROVED BY: