

Job Name: 25-2446D Kroger L-756
Job Location: Owensboro, KY
Contractor: Winwater Hartford KY Co.

PC: A. Chambers
 TECH: S. Felletter
 Plant: Beaver Dam



Structure ID: MH-3-3 ST-MH

Spec: Storm
 Type: STM.MH
 Size: 48"

Rim: 419.98'
 Invert: 411.67'
 Rim to Invert: 8.31'

Sump: 1.6"
 Floor (Top): 411.537'
 Floor Height: 6"

Floor (Bot): 411.037'
 Overall Height: 8.917'
 Slack: 0.32"

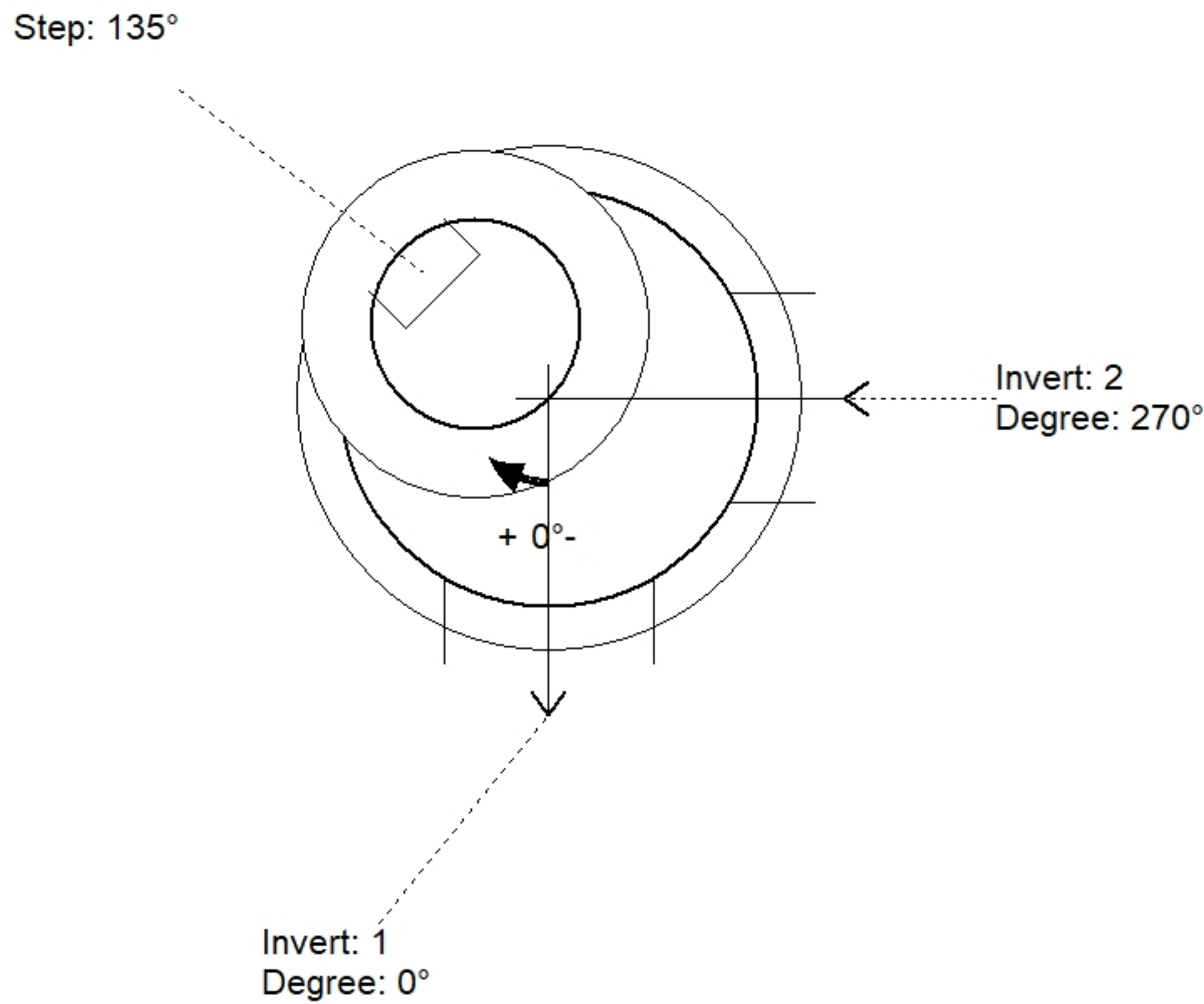
Structure Notes:

- PER ASTM C478 SPECIFICATIONS.
- CONCRETE = 4,000 PSI AT 28 DAYS.
- CASTING BY ICAST (HOE MC-315 F/C "STORM")

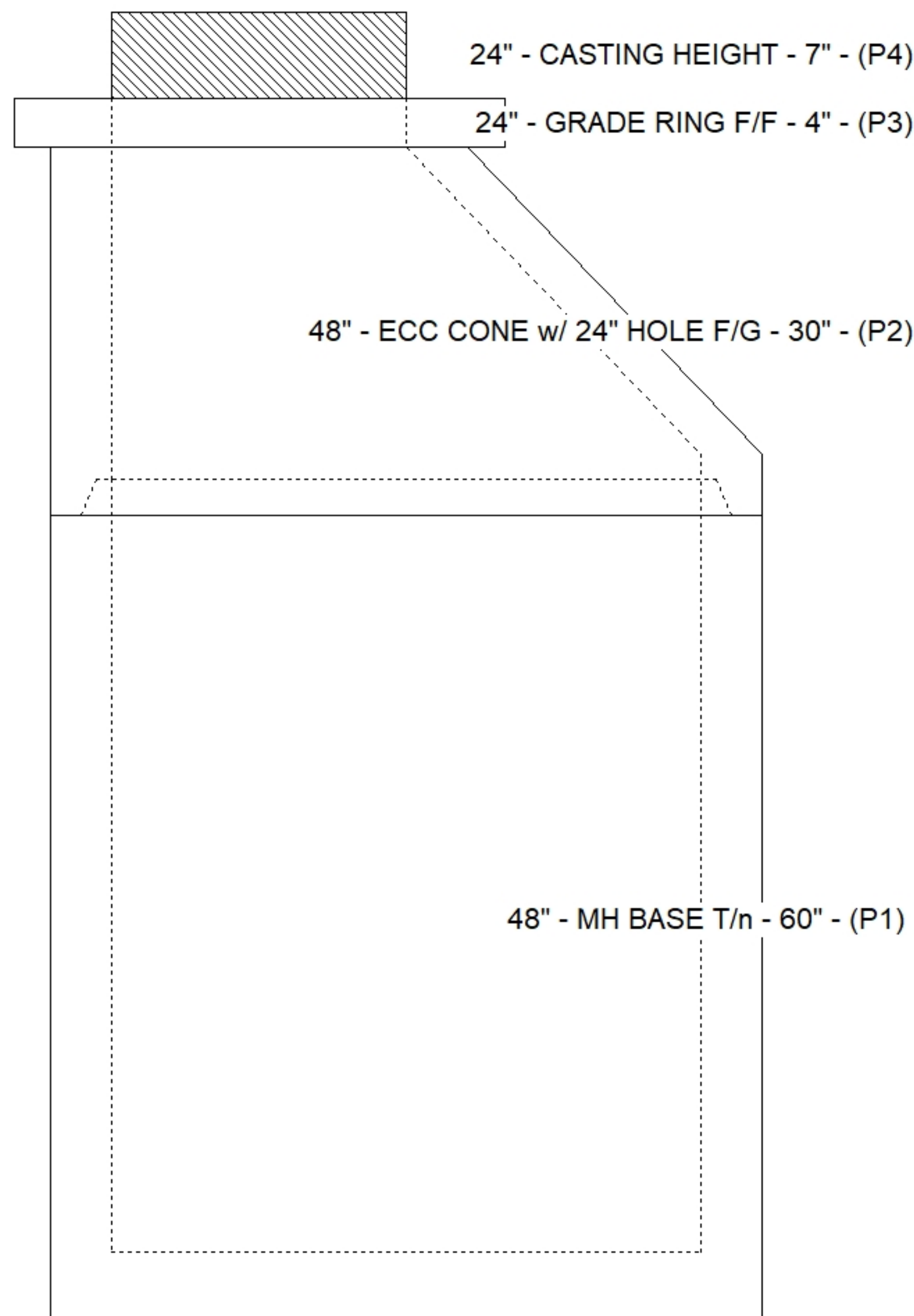
REINFORCING PER ASTM A615 (GRADE 60).
 - TOP SLAB (As .62) #5 BARS AT 6" C.C.E.W..
 - RISER/WALLS (As .12)
 - FLOOR (As .31) #5 BARS AT 12" C.C.E.W.

STRUCTURE SUMMARY:

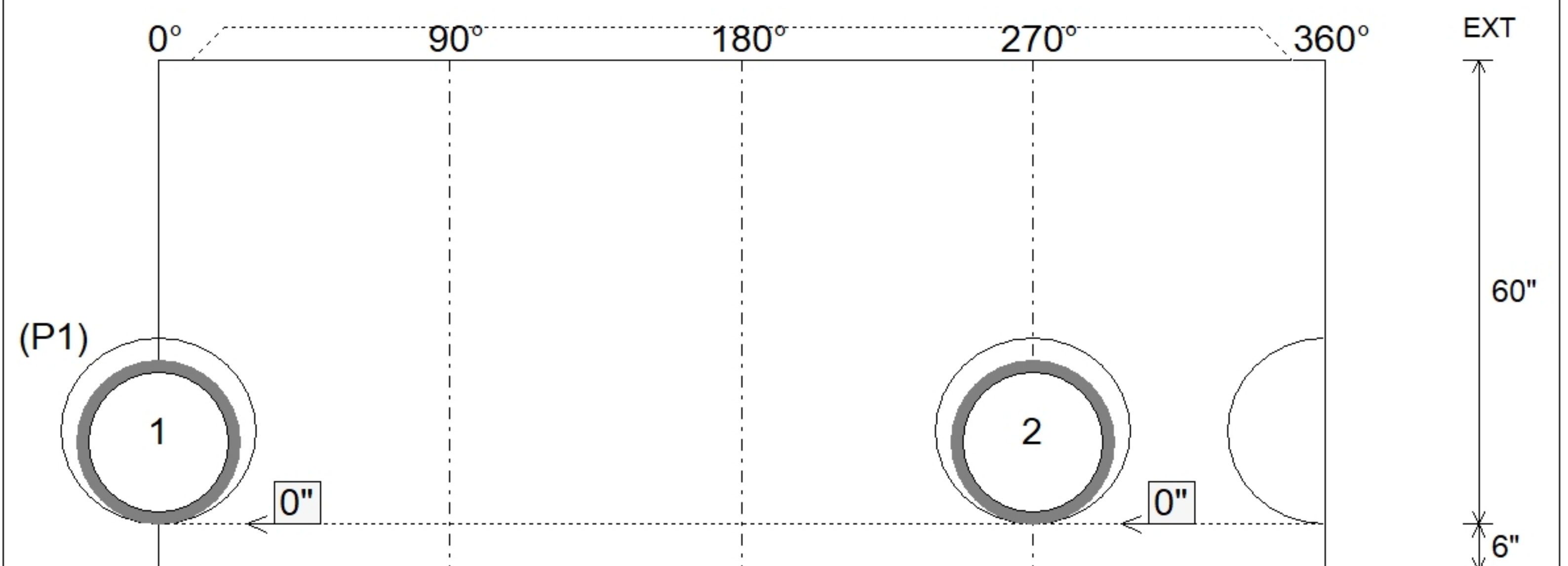
P4) 24" - CASTING HEIGHT - 7"	0 lb
P3) 24" - GRADE RING F/F - 4"	270 lb
P2) 48" - ECC CONE w/ 24" HOLE F/G - 30"	2050 lb
P1) 48" - MH BASE T/n - 60"	5127 lb
1) CASTING - HOE MC-315 F/C Storm	258 lb
1) 48" - Conseal CS-102 1.00"	0 lb
2) Hole - 24	0 lb
8) MH Step ML-10-TDS-NCR - 10"	0 lb
Structure Total:	7705 lb



Position	Elev	Angle	Pipe	Pipe OD	Hole	Connector	Up ()	Ref
Rim	419.98'							
Reducer								
Invert 1	411.67'	0°	18" HDPE	21.2"	24"	Hole 24	0"	P1
Invert 2	411.67'	270°	18" HDPE	21.2"	24"	Hole 24	0"	P1
Invert 3								
Invert 4								
Invert 5								
Invert 6								
Invert 7								
Invert 8								



Default - Interior Dimensions



Submittal Drawing
 3/16/2026 1:11:50 PM

SUBMITTAL
 APPROVED BY: