

Structure ID: MH-2-2 ST-MH

P1 MH048BA42

MH BASE F/n

P3) 24" - CASTING HEIGHT - 7" P2) 48" - MH FLAT TOP w/ 24" ECC Hole F/F - 7" P1) 48" - MH BASE F/n - 42" 1) CASTING - HOE MC-315 F/C Storm 1) 48" - Conseal CS-102 1.00" 2) Hole - 24 1) Hole - 12 3) MH Step ML-10-TDS-NCR - 10"	0 lb 1286 lb 3822 lb 258 lb 0 lb 0 lb 0 lb 0 lb 0 lb 5366 lb	Structure Notes: 1. PER ASTM C478 SPECIFICATIONS. 2. CONCRETE = 4,000 PSI AT 28 DAYS. 3. CASTING BY ICAST (HOE MC-315 F/C "STORM") REINFORCING PER ASTM A615 (GRADE 60). - TOP SLAB (As .62) #5 BARS AT 6" C.C.E.W.. - RISER/WALLS (As .12) - FLOOR (As .31) #5 BARS AT 12" C.C.E.W.
--	---	--

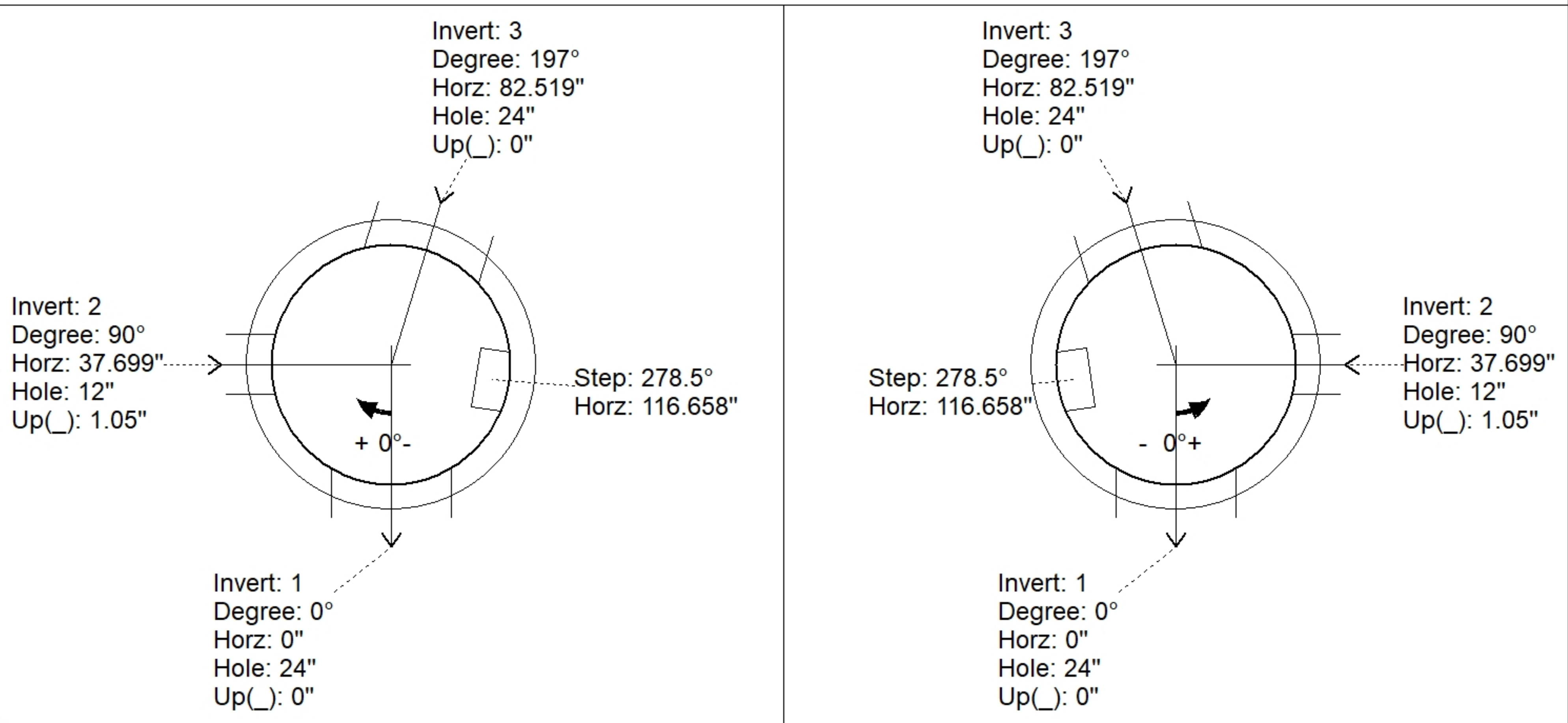
Structure Total: 5366 lb

Rim: 417.07' Rim to Invert: 4.56' Slack: 0.32" Sump: 1.6" Step Position: 278.5°

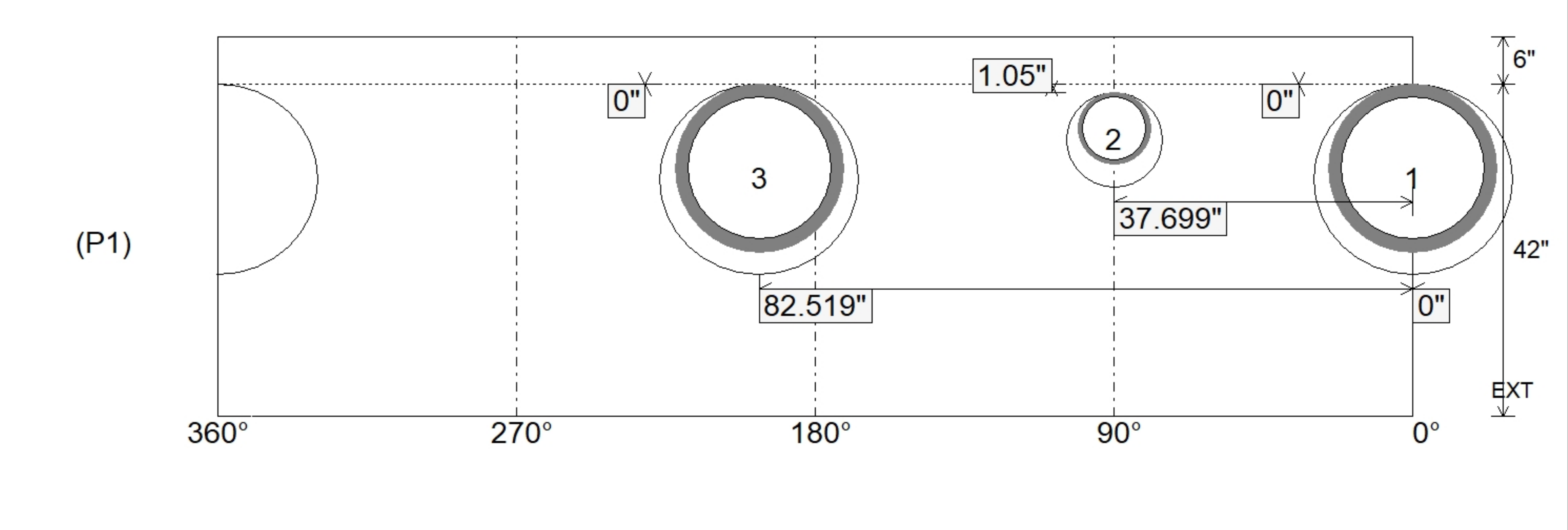
Position	Elev	Angle	Ext. (cw)	Pipe	Pipe OD	Connector	Hole	Horz Size	Up ()	Offset
Invert 1	412.51'	0°	0"	18" HDPE	21.2"	Hole 24	24"	25.133"	0"	0"
Invert 2	412.51'	90°	45.553"	8" HDPE	9.1"	Hole 12	12"	12.129"	1.05"	0"
Invert 3	412.51'	197°	99.711"	18" HDPE	21.2"	Hole 24	24"	25.133"	0"	0"
Invert 4										
Invert 5										
Invert 6										
Invert 7										
Invert 8										

RIGHT-SIDE UP VIEW (int. dimensions)

UPSIDE-DOWN VIEW (int. dimensions)



INSIDE WALL DIMENSIONS



Coating (Int): Coating (Ext):	Seam Up: Flat Seam Dn: n/a	Wall Thickness: 5" Floor Height: 6"	Height (Int): 42" Height (Ext): 48"	Weight (Net): 3822 lb Volume (Net): 0.98cu.yd
----------------------------------	-------------------------------	--	--	--