

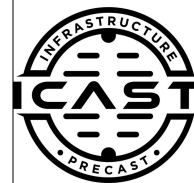
Job Name: 25-2418 Marvin's Lift Station  
 Job Location: Radcliff, KY 40160  
 Contractor: Ferguson Waterworks #1491

Plant: Beaver Dam, KY

Tech: C. Russ

12/23/2025 7:45:47 AM

PC: C. Goff



**Structure ID: 2**

**P4 GR3CDARED**

**GRADE RING w/ConBlock-CDA Red F/F**

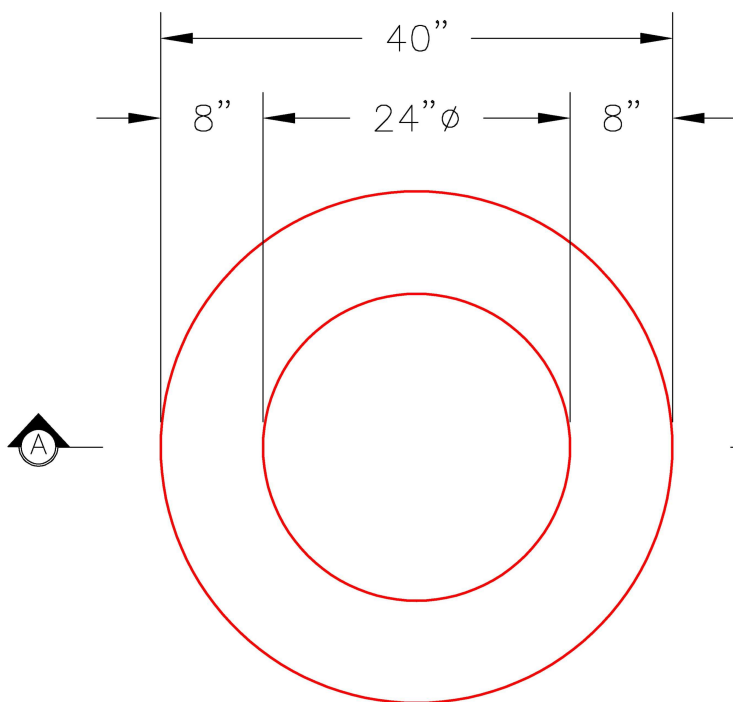
- P5) 24" - CASTING HEIGHT - 7"
- P4) 24" - GRADE RING w/ConBlock-CDA Red F/F - 3"
- P3) 48" - ECC CONE w/ 24" HOLE NO STEPS, w/ConBlock-CDA Red F/G - 30"
- P2) 48" - MH RISER w/ConBlock-CDA Red NO STEPS T/G - 48"
- P1) 48" - MH BASE w/ConBlock-CDA Red T/n - 36"
- 1) JOINT WRAP - 0.065"x6"x50' CONSEAL CS212
- 1) JOINT WRAP PRIMER - CONSEAL CS-75 (1 gal.)
- 1) 48" - MH INVERT CHANNEL w/ConBlock-CDA Red - FULL HEIGHT
- 1) ADMIXTURE CONBLOCK CDA RED
- 1) Chimney Seal - Cretex Chimney Seal
- 2) 48" - Hamilton Kent MH Gasket
- 2) PSX - 12-08 NYLO

0 lb  
 202 lb  
 1961 lb  
 3353 lb  
 3749 lb  
 0 lb  
 0 lb  
 1440 lb  
 0 lb  
 10 lb  
 0 lb  
 16 lb  
 -----  
 10732 lb

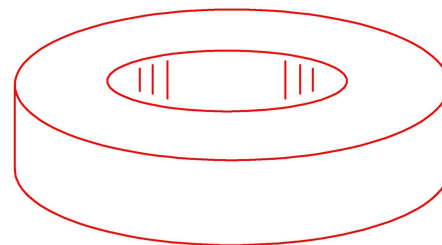
Structure Notes:

1. PER ASTM C-478 SPECIFICATIONS
2. CONCRETE: 4,000 PSI AT 28 DAYS
3. REINFORCEMENT: (1) #3 HOOP CENTERED (GRADE 60)
4. CONBLOCK CDA RED ADMIXTURE REQUIRED

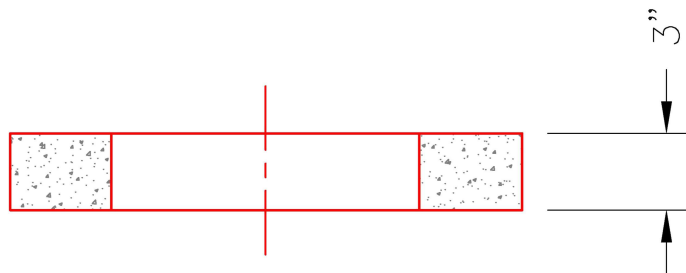
Structure Total: 10732 lb



**PLAN VIEW**



**ISOMETRIC VIEW**



**SECTION A-A**

Coating (Int):  
 Coating (Ext):

Seam Up: Flat  
 Seam Dn: Flat

Wall Thickness: 8"

Height (Ext): 3"

Weight (Net): 202 lb  
 Volume (Net): 0.05cu.yd