

Job Name: 25-2418 Marvin's Lift Station
 Job Location: Radcliff, KY 40160
 Contractor: Ferguson Waterworks #1491

Plant: Beaver Dam, KY
 12/23/2025 7:45:47 AM

Tech: C. Russ
 PC: C. Goff



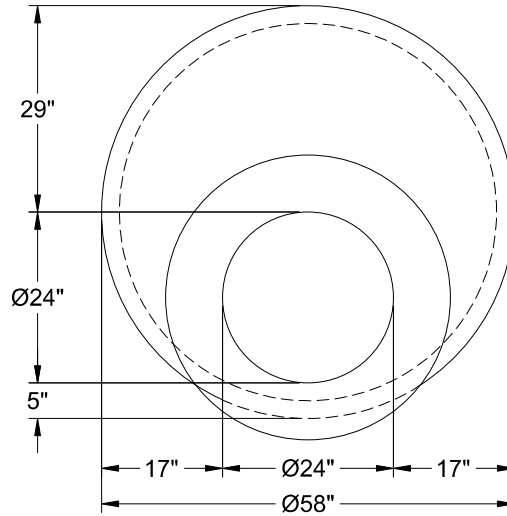
Structure ID: 2

P3 MH048CN30-SCDARED

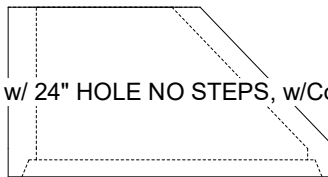
ECC CONE w/ 24" HOLE NO STEPS, w/ConBlock-CDA Red F/G

P5) 24" - CASTING HEIGHT - 7"	0 lb
P4) 24" - GRADE RING w/ConBlock-CDA Red F/F - 3"	202 lb
P3) 48" - ECC CONE w/ 24" HOLE NO STEPS, w/ConBlock-CDA Red F/G - 30"	1961 lb
P2) 48" - MH RISER w/ConBlock-CDA Red NO STEPS T/G - 48"	3353 lb
P1) 48" - MH BASE w/ConBlock-CDA Red T/n - 36"	3749 lb
1) JOINT WRAP - 0.065"x6"x50' CONSEAL CS212	0 lb
1) JOINT WRAP PRIMER - CONSEAL CS-75 (1 gal.)	0 lb
1) 48" - MH INVERT CHANNEL w/ConBlock-CDA Red - FULL HEIGHT	1440 lb
1) ADMIXTURE CONBLOCK CDA RED	0 lb
1) Chimney Seal - Cretex Chimney Seal	10 lb
2) 48" - Hamilton Kent MH Gasket	0 lb
2) PSX - 12-08 NYLO	16 lb
Structure Total:	10732 lb

- Structure Notes:
1. PER ASTM C-478 SPECIFICATIONS
 2. CONCRETE: 4,000 PSI AT 28 DAYS
 3. REINFORCEMENT: PER ASTM A615
 4. INVERT CHANNEL REQUIRED
 5. CONBLOCK CDA RED ADMIXTURE REQUIRED
 6. NO STEPS
 7. CASTING BY OTHERS (HOE MC-315 FRAME & COVER "SANITARY")
 8. CHIMEY SEAL BY ICAST



48" - ECC CONE w/ 24" HOLE NO STEPS, w/ConBlock-CDA Red F/G - 30" - (P3)



Coating (Int):
 Coating (Ext):

Seam Up: Flat
 Seam Dn: Groove

Wall Thickness: 5"

Height (Ext): 30"

Weight (Net): 1961 lb
 Volume (Net): 0.5cu.yd