

**Job Name: 25-2418 Marvin's Lift Station**  
**Job Location: Radcliff, KY 40160**  
**Contractor: Ferguson Waterworks #1491**

PC: C. Goff  
 TECH: C. Russ  
 Plant: Beaver Dam, KY



Structure ID: 1  
 Spec: Sanitary  
 Type: SAN.MH w/ConBlock-CDA Red  
 Size: 48"

Rim: 728.34'  
 Invert: 712.03'  
 Rim to Invert: 16.31'

Sump: 3"  
 Floor (Top): 711.78'  
 Floor Height: 6"

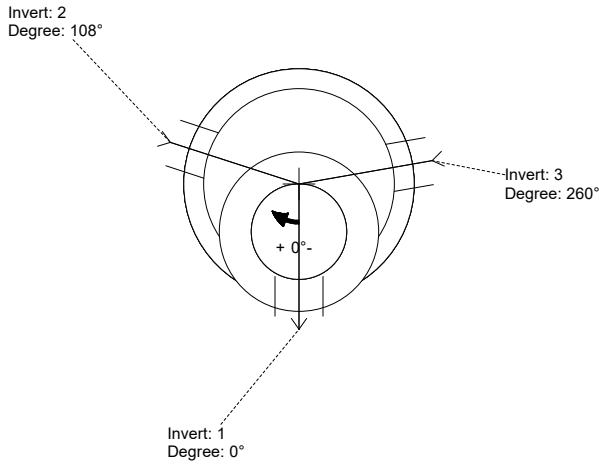
Floor (Bot): 711.28'  
 Overall Height: 16.917'  
 Slack: 1.72"

**Structure Notes:**

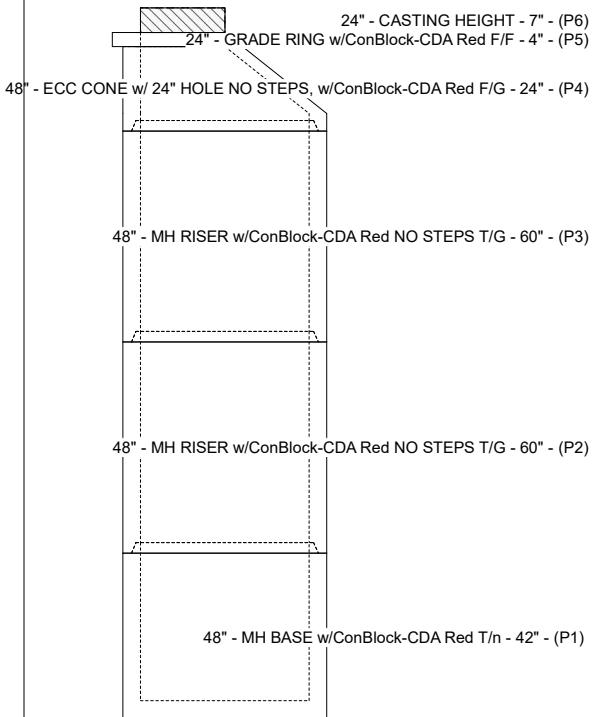
1. PER ASTM C-478 SPECIFICATIONS
2. CONCRETE: 4,000 PSI AT 28 DAYS
3. REINFORCEMENT: PER ASTM A615
4. INVERT CHANNEL REQUIRED
5. CONBLOCK CDA RED ADMIXTURE REQUIRED
6. NO STEPS
7. CASTING BY OTHERS (HOE MC-315 FRAME & COVER "SANITARY")
8. CHIMEY SEAL BY ICAST

**STRUCTURE SUMMARY:**

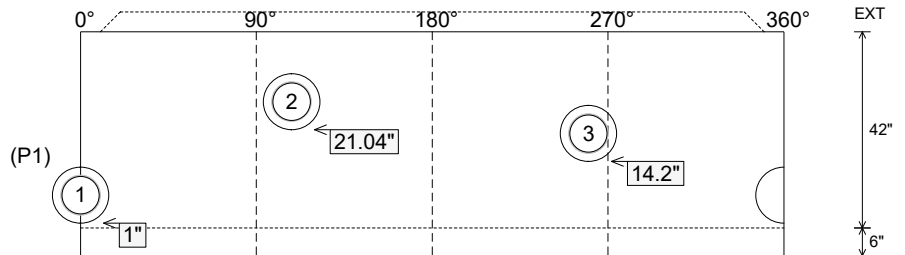
P6) 24" - CASTING HEIGHT - 7"	0 lb
P5) 24" - GRADE RING w/ConBlock-CDA Red F/F - 4"	270 lb
P4) 48" - ECC CONE w/ 24" HOLE NO STEPS, w/ConBlock-CDA Red F/G - 24"	1550 lb
P3) 48" - MH RISER w/ConBlock-CDA Red NO STEPS T/G - 60"	4192 lb
P2) 48" - MH RISER w/ConBlock-CDA Red NO STEPS T/G - 60"	4192 lb
P1) 48" - MH BASE w/ConBlock-CDA Red T/n - 42"	4121 lb
1) JOINT WRAP - 0.065"x6"x50" CONSEAL CS212	0 lb
1) JOINT WRAP PRIMER - CONSEAL CS-75 (1 gal.)	0 lb
1) 48" - MH INVERT CHANNEL w/ConBlock-CDA Red - FULL HEIGHT	1440 lb
1) ADMIXTURE CONBLOCK CDA RED	0 lb
1) Chimney Seal - Cretex Chimney Seal	10 lb
3) 48" - Hamilton Kent MH Gasket	0 lb
3) PSX - 12-08 NYLO	24 lb
<b>Structure Total:</b>	<b>15798 lb</b>



Position	Elev	Angle	Pipe	Pipe OD	Hole	Connector	Up (L)	Ref
Rim	728.34'							
Reducer								
Invert 1	712.03'	0°	8" PVC SDR35	8.5"	12"	PSX 12-08 NYLO	1"	P1
Invert 2	713.7'	108°	8" PVC SDR35	8.5"	12"	PSX 12-08 NYLO	21.04"	P1
Invert 3	713.13'	260°	8" PVC SDR35	8.5"	12"	PSX 12-08 NYLO	14.2"	P1
Invert 4								
Invert 5								
Invert 6								
Invert 7								
Invert 8								



**Cast (Int. Dim.) - Interior Dimensions**



Submittal Drawing  
 12/23/2025 7:32:45 AM

SUBMITTAL  
 APPROVED BY: