

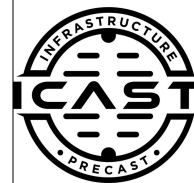
Job Name: 25-2418 Marvin's Lift Station
 Job Location: Radcliff, KY 40160
 Contractor: Ferguson Waterworks #1491

Plant: Beaver Dam, KY

Tech: C. Russ

12/23/2025 7:45:46 AM

PC: C. Goff



Structure ID: 1

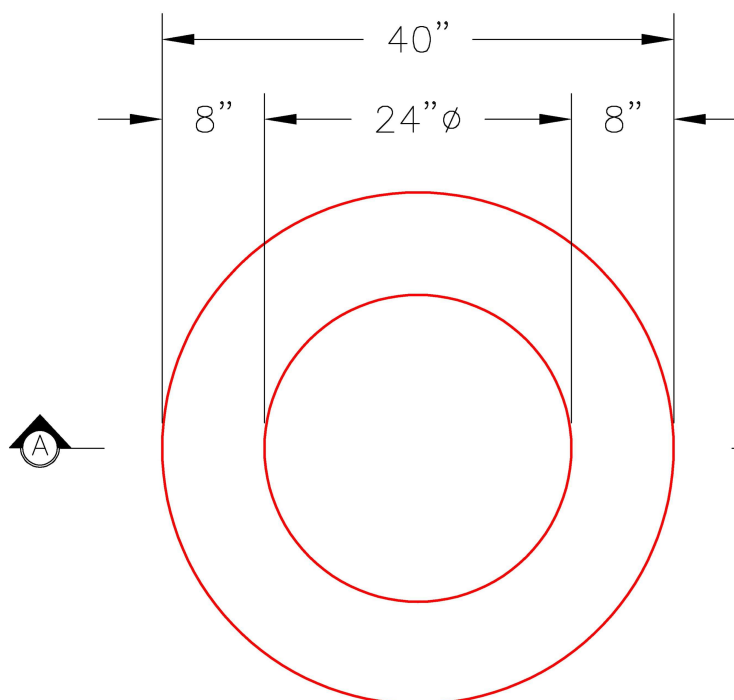
P5 GR4CDARED

GRADE RING w/ConBlock-CDA Red F/F

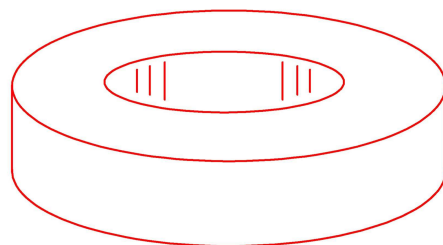
P6) 24" - CASTING HEIGHT - 7"	0 lb
P5) 24" - GRADE RING w/ConBlock-CDA Red F/F - 4"	270 lb
P4) 48" - ECC CONE w/ 24" HOLE NO STEPS, w/ConBlock-CDA Red F/G - 24"	1550 lb
P3) 48" - MH RISER w/ConBlock-CDA Red NO STEPS T/G - 60"	4192 lb
P2) 48" - MH RISER w/ConBlock-CDA Red NO STEPS T/G - 60"	4192 lb
P1) 48" - MH BASE w/ConBlock-CDA Red T/n - 42"	4121 lb
1) JOINT WRAP - 0.065"x6"x50" CONSEAL CS212	0 lb
1) JOINT WRAP PRIMER - CONSEAL CS-75 (1 gal.)	0 lb
1) 48" - MH INVERT CHANNEL w/ConBlock-CDA Red - FULL HEIGHT	1440 lb
1) ADMIXTURE CONBLOCK CDA RED	0 lb
1) Chimney Seal - Cretex Chimney Seal	10 lb
3) 48" - Hamilton Kent MH Gasket	0 lb
3) PSX - 12-08 NYLO	24 lb
Structure Total:	15798 lb

Structure Notes:

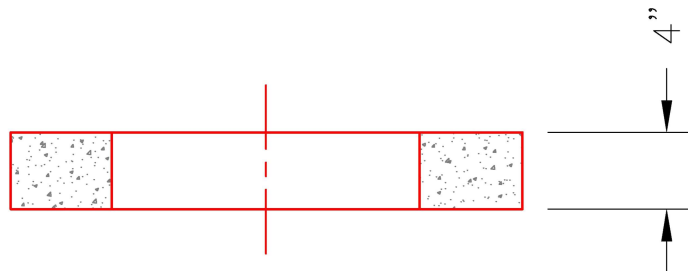
1. PER ASTM C-478 SPECIFICATIONS
2. CONCRETE: 4,000 PSI AT 28 DAYS
3. REINFORCEMENT: (1) #3 HOOP CENTERED (GRADE 60)
4. CONBLOCK CDA RED ADMIXTURE REQUIRED



PLAN VIEW



ISOMETRIC VIEW



SECTION A-A

Coating (Int):
 Coating (Ext):

Seam Up: Flat
 Seam Dn: Flat

Wall Thickness: 8"

Height (Ext): 4"

Weight (Net): 270 lb
 Volume (Net): 0.07cu.yd