

Job Name: 25-2418 Marvin's Lift Station
 Job Location: Radcliff, KY 40160
 Contractor: Ferguson Waterworks #1491

Plant: Beaver Dam, KY
 12/23/2025 7:34:35 AM

Tech: C. Russ
 PC: C. Goff



Structure ID: 1

P1 MH048BA42CDARED

MH BASE w/ConBlock-CDA Red T/n

P6) 24" - CASTING HEIGHT - 7"	0 lb
P5) 24" - GRADE RING w/ConBlock-CDA Red F/F - 4"	270 lb
P4) 48" - ECC CONE w/ 24" HOLE NO STEPS, w/ConBlock-CDA Red F/G - 24"	1550 lb
P3) 48" - MH RISER w/ConBlock-CDA Red NO STEPS T/G - 60"	4192 lb
P2) 48" - MH RISER w/ConBlock-CDA Red NO STEPS T/G - 60"	4192 lb
P1) 48" - MH BASE w/ConBlock-CDA Red T/n - 42"	4121 lb
1) JOINT WRAP - 0.065"x6"x50" CONSEAL CS212	0 lb
1) JOINT WRAP PRIMER - CONSEAL CS-75 (1 gal.)	0 lb
1) 48" - MH INVERT CHANNEL w/ConBlock-CDA Red - FULL HEIGHT	1440 lb
1) ADMIXTURE CONBLOCK CDA RED	0 lb
1) Chimney Seal - Cretex Chimney Seal	10 lb
3) 48" - Hamilton Kent MH Gasket	0 lb
3) PSX - 12-08 NYLO	24 lb
Structure Total:	15798 lb

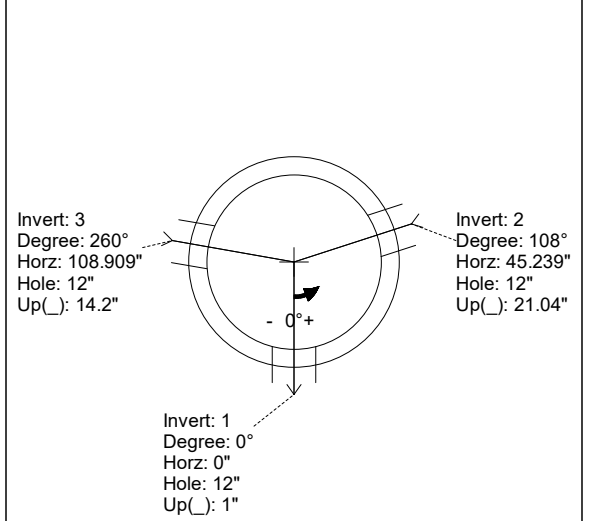
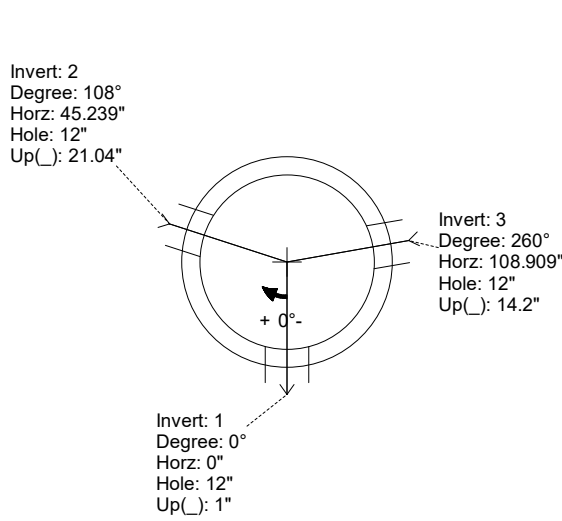
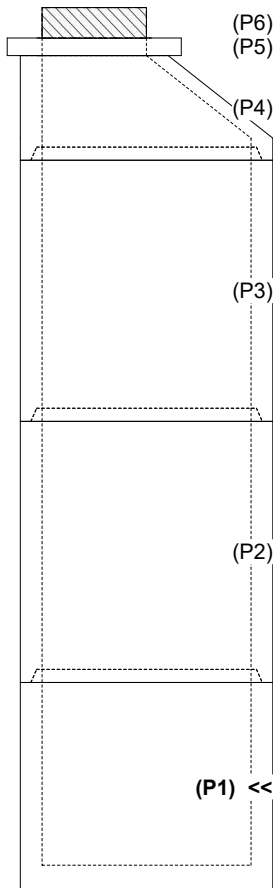
- Structure Notes:**
- PER ASTM C-478 SPECIFICATIONS
 - CONCRETE: 4,000 PSI AT 28 DAYS
 - REINFORCEMENT: PER ASTM A615
 - INVERT CHANNEL REQUIRED
 - CONBLOCK CDA RED ADMIXTURE REQUIRED
 - NO STEPS
 - CASTING BY OTHERS (HOE MC-315 FRAME & COVER "SANITARY")
 - CHIMEY SEAL BY ICAST

Rim: 728.34' Rim to Invert: 16.31' Slack: 1.72" Sump: 3" Step Position:

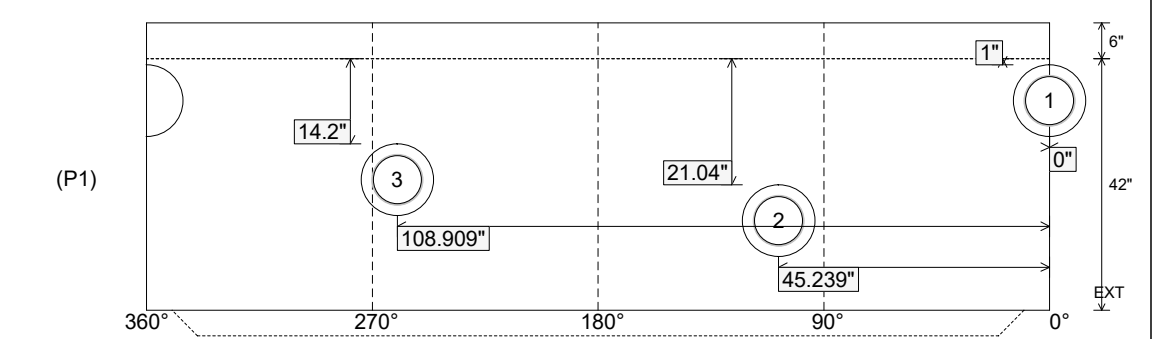
Position	Elev	Angle	Ext. (cw)	Pipe	Pipe OD	Connector	Hole	Horz Size	Up ()	Offset
Invert 1	712.03'	0°	0"	8" PVC SDR35	8.5"	PSX 12-08 NYLO	12"	12.129"	1"	0"
Invert 2	713.7'	108°	54.664"	8" PVC SDR35	8.5"	PSX 12-08 NYLO	12"	12.129"	21.04"	0"
Invert 3	713.13'	260°	131.598"	8" PVC SDR35	8.5"	PSX 12-08 NYLO	12"	12.129"	14.2"	0"
Invert 4										
Invert 5										
Invert 6										
Invert 7										
Invert 8										

RIGHT-SIDE UP VIEW (int. dimensions)

UPSIDE-DOWN VIEW (int. dimensions)



INSIDE WALL DIMENSIONS



Coating (Int): Coating (Ext):	Seam Up: Tongue Seam Dn: n/a	Wall Thickness: 5" Floor Height: 6"	Height (Int): 42" Height (Ext): 48"	Weight (Net): 4121 lb Volume (Net): 1.05cu.yd
----------------------------------	---------------------------------	--	--	--

Job Name: 25-2418 Marvin's Lift Station
 Job Location: Radcliff, KY 40160
 Contractor: Ferguson Waterworks #1491

Plant: Beaver Dam, KY
 12/23/2025 7:34:35 AM

Tech: C. Russ
 PC: C. Goff



Structure ID: 1

P1 MH048BA42CDARED

MH BASE w/ConBlock-CDA Red T/n

P6) 24" - CASTING HEIGHT - 7"	0 lb
P5) 24" - GRADE RING w/ConBlock-CDA Red F/F - 4"	270 lb
P4) 48" - ECC CONE w/ 24" HOLE NO STEPS, w/ConBlock-CDA Red F/G - 24"	1550 lb
P3) 48" - MH RISER w/ConBlock-CDA Red NO STEPS T/G - 60"	4192 lb
P2) 48" - MH RISER w/ConBlock-CDA Red NO STEPS T/G - 60"	4192 lb
P1) 48" - MH BASE w/ConBlock-CDA Red T/n - 42"	4121 lb
1) JOINT WRAP - 0.065"x6"x50" CONSEAL CS212	0 lb
1) JOINT WRAP PRIMER - CONSEAL CS-75 (1 gal.)	0 lb
1) 48" - MH INVERT CHANNEL w/ConBlock-CDA Red - FULL HEIGHT	1440 lb
1) ADMIXTURE CONBLOCK CDA RED	0 lb
1) Chimney Seal - Cretex Chimney Seal	10 lb
3) 48" - Hamilton Kent MH Gasket	0 lb
3) PSX - 12-08 NYLO	24 lb
Structure Total:	15798 lb

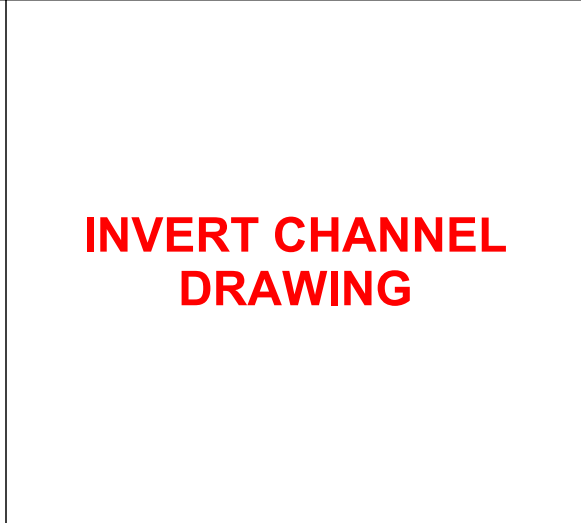
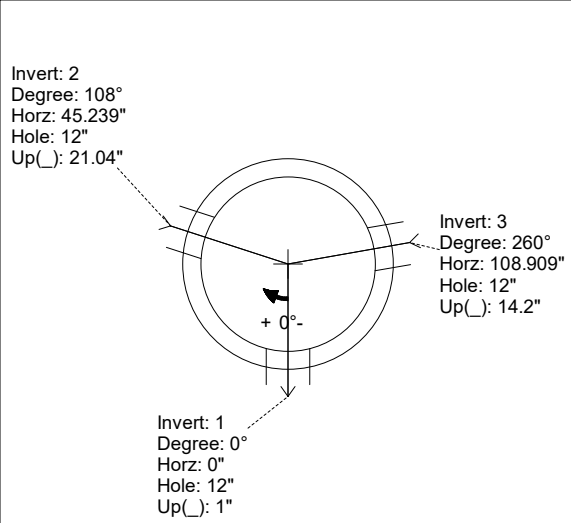
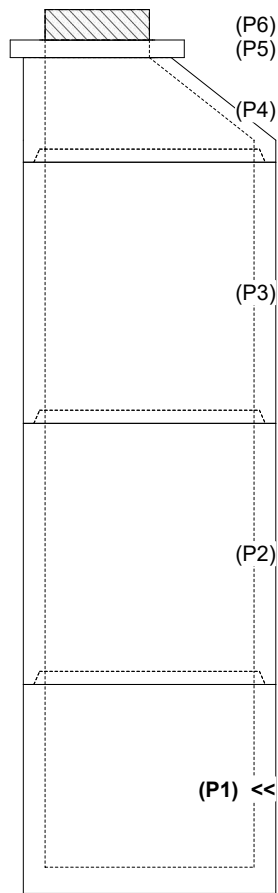
- Structure Notes:**
- PER ASTM C-478 SPECIFICATIONS
 - CONCRETE: 4,000 PSI AT 28 DAYS
 - REINFORCEMENT: PER ASTM A615
 - INVERT CHANNEL REQUIRED
 - CONBLOCK CDA RED ADMIXTURE REQUIRED
 - NO STEPS
 - CASTING BY OTHERS (HOE MC-315 FRAME & COVER "SANITARY")
 - CHIMEY SEAL BY ICAST

Rim: 728.34' Rim to Invert: 16.31' Slack: 1.72" Sump: 3" Step Position:

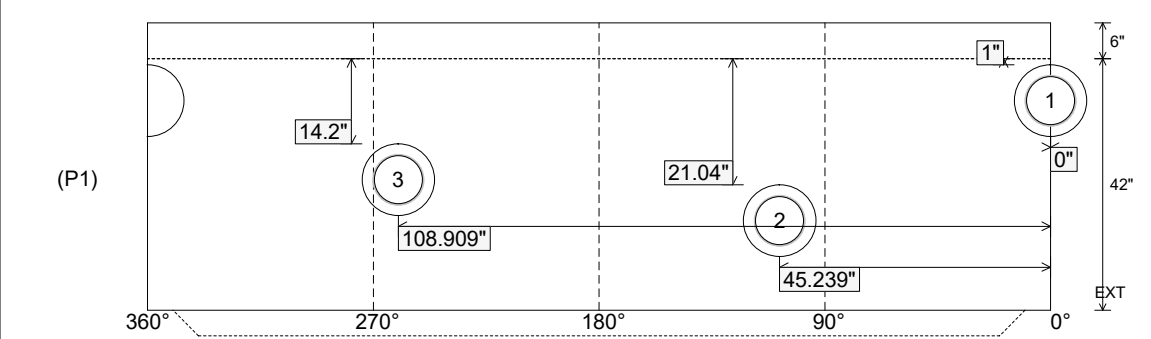
Position	Elev	Angle	Ext. (cw)	Pipe	Pipe OD	Connector	Hole	Horz Size	Up (L)	Offset
Invert 1	712.03'	0°	0"	8" PVC SDR35	8.5"	PSX 12-08 NYLO	12"	12.129"	1"	0"
Invert 2	713.7'	108°	54.664"	8" PVC SDR35	8.5"	PSX 12-08 NYLO	12"	12.129"	21.04"	0"
Invert 3	713.13'	260°	131.598"	8" PVC SDR35	8.5"	PSX 12-08 NYLO	12"	12.129"	14.2"	0"
Invert 4										
Invert 5										
Invert 6										
Invert 7										
Invert 8										

RIGHT-SIDE UP VIEW (int. dimensions)

UPSIDE-DOWN VIEW (int. dimensions)



INSIDE WALL DIMENSIONS



Coating (Int): Coating (Ext):	Seam Up: Tongue Seam Dn: n/a	Wall Thickness: 5" Floor Height: 6"	Height (Int): 42" Height (Ext): 48"	Weight (Net): 4121 lb Volume (Net): 1.05cu.yd
----------------------------------	---------------------------------	--	--	--