

**Job Name: 25-2394 McDonalds 041-1211**  
**Job Location: Clarksville, TN**  
**Contractor: Central Paving Co. of Paducah, Inc.**

PC: Andy Chambers  
 TECH: Evan Niles  
 Plant: Beaver Dam, KY



Structure ID: **SCI-15**  
 Spec: Storm  
 Type: BX 8inW, 8inF  
 Size: 24" x 36"

Rim: 539.75'  
 Invert: 534.97'  
 Rim to Invert: 4.78'

Sump: 0"  
 Floor (Top): 534.97'  
 Floor Height: 8"

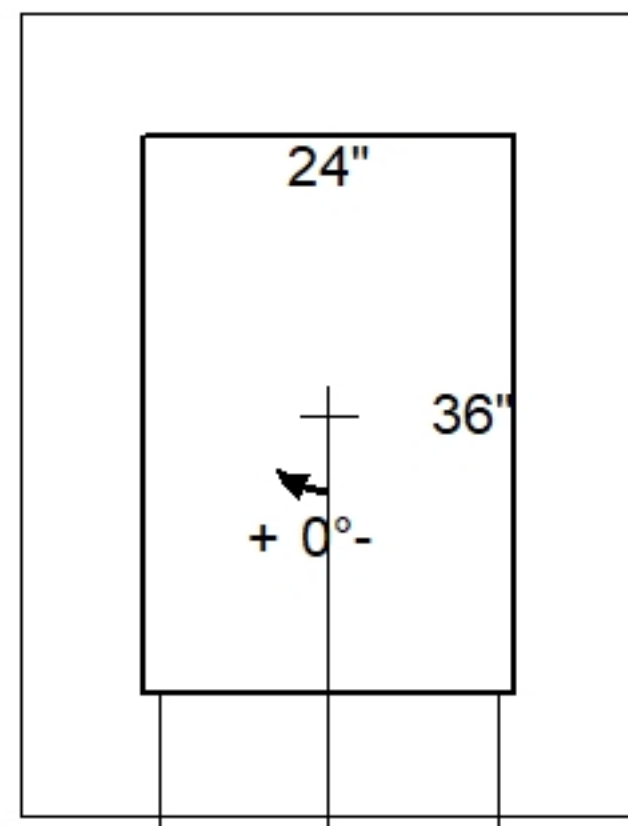
Floor (Bot): 534.303'  
 Overall Height: 5.375'  
 Slack: 0.86"

Structure Notes:

1. PER ASTM C913 SPECIFICATIONS.
2. CONCRETE = 4,000 PSI AT 28 DAYS.
3. NO INVERT CHANNEL.
4. REINFORCING PER ASTM A615 (GRADE 60).  
 - WALLS (As .12) #5 BARS AT 12" C.C.E.W.  
 - FLOOR (As .12) #5 BARS AT 12" C.C.E.W.
5. CASTING: JBS 3080 F/G/H BY ICAST

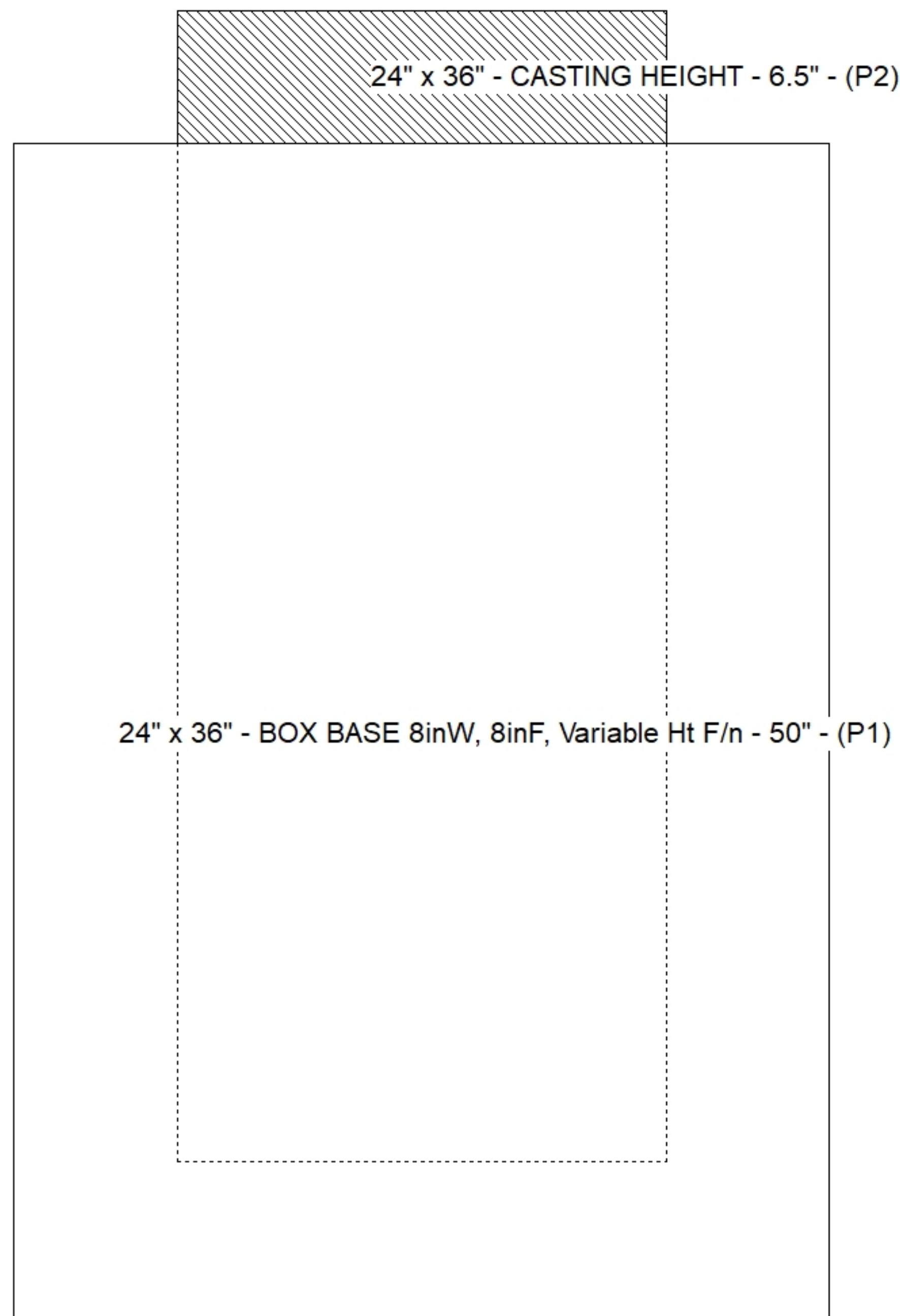
STRUCTURE SUMMARY:

|  |         |
|--|---------|
| P2) 24" x 36" - CASTING HEIGHT - 6.5"                      | 0 lb    |
| P1) 24" x 36" - BOX BASE 8inW, 8inF, Variable Ht F/n - 50" | 6243 lb |
| 1) CASTING - JBS 3080 SET (F/G/H)                          | 500 lb  |
| 1) 24" x 36" - SGL 1"x14.5' Butyl                          | 0 lb    |
| 1) Hole - 22   | 0 lb    |
|  | -----   |
| Structure Total:   | 6743 lb |

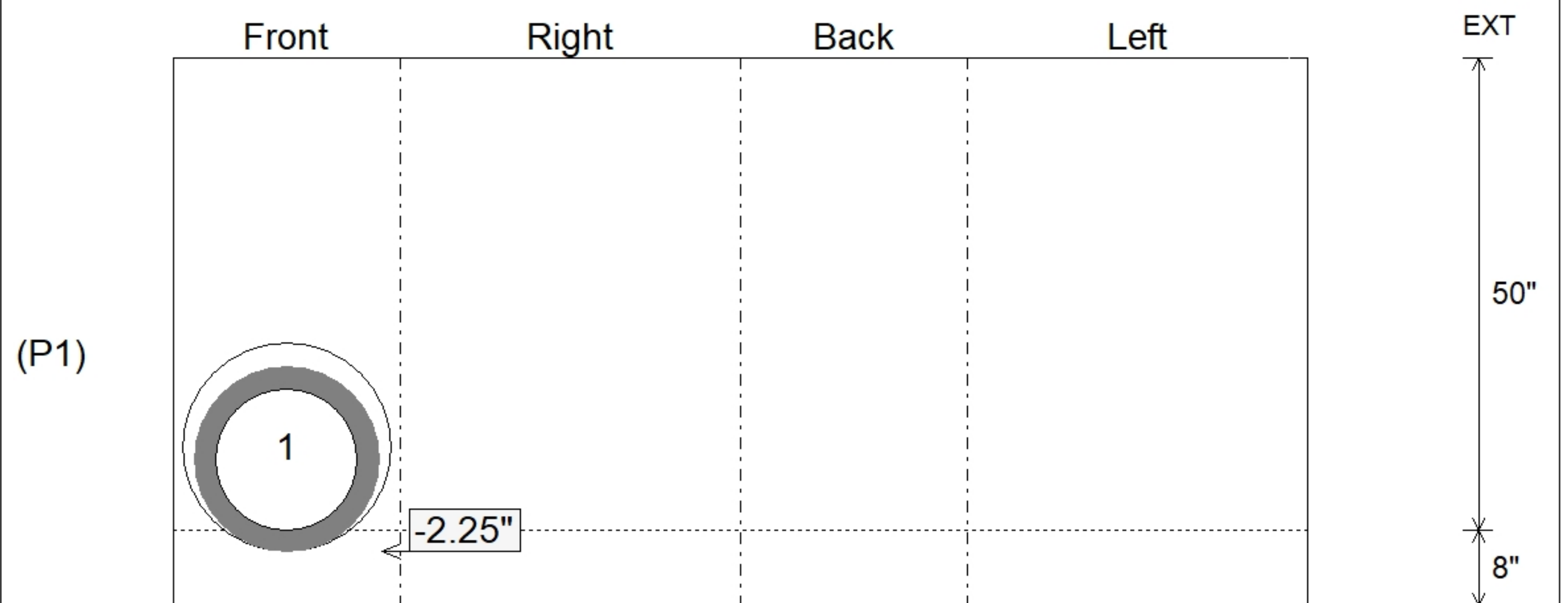


Invert: 1  
 Degree: 0°

| Position | Elev    | Angle | Pipe           | Pipe OD | Hole | Connector | Up ( ) | Ref |
|----------|---------|-------|----------------|---------|------|-----------|--------|-----|
| Rim      | 539.75' |       |                |         |      |           |        |     |
| Reducer  |         |       |                |         |      |           |        |     |
| Invert 1 | 534.97' | 0°    | 15" RCP B WALL | 19.5"   | 22"  | Hole 22   | -2.25" | P1  |
| Invert 2 |         |       |                |         |      |           |        |     |
| Invert 3 |         |       |                |         |      |           |        |     |
| Invert 4 |         |       |                |         |      |           |        |     |
| Invert 5 |         |       |                |         |      |           |        |     |
| Invert 6 |         |       |                |         |      |           |        |     |
| Invert 7 |         |       |                |         |      |           |        |     |
| Invert 8 |         |       |                |         |      |           |        |     |



**Cast (Int. Dim.) - Interior Dimensions**



Submittal Drawing  
 10/13/2025 4:19:40 PM

SUBMITTAL  
 APPROVED BY: