

Structure ID: SCI-14

P1 BX2436-08BVF

BOX BASE 8inW, 8inF, Variable Ht F/n

| | |
|---|--|
| P2) 24" x 36" - CASTING HEIGHT - 6.5" P1) 24" x 36" - BOX BASE 8inW, 8inF, Variable Ht F/n - 36" 1) CASTING - JBS 3080 SET (F/G/H) 1) 24" x 36" - SGL 1"x14.5' Butyl 2) Hole - 22 | 0 lb 4454 lb 500 lb 0 lb 0 lb ----- Structure Total: 4954 lb |
|---|--|

Structure Notes:

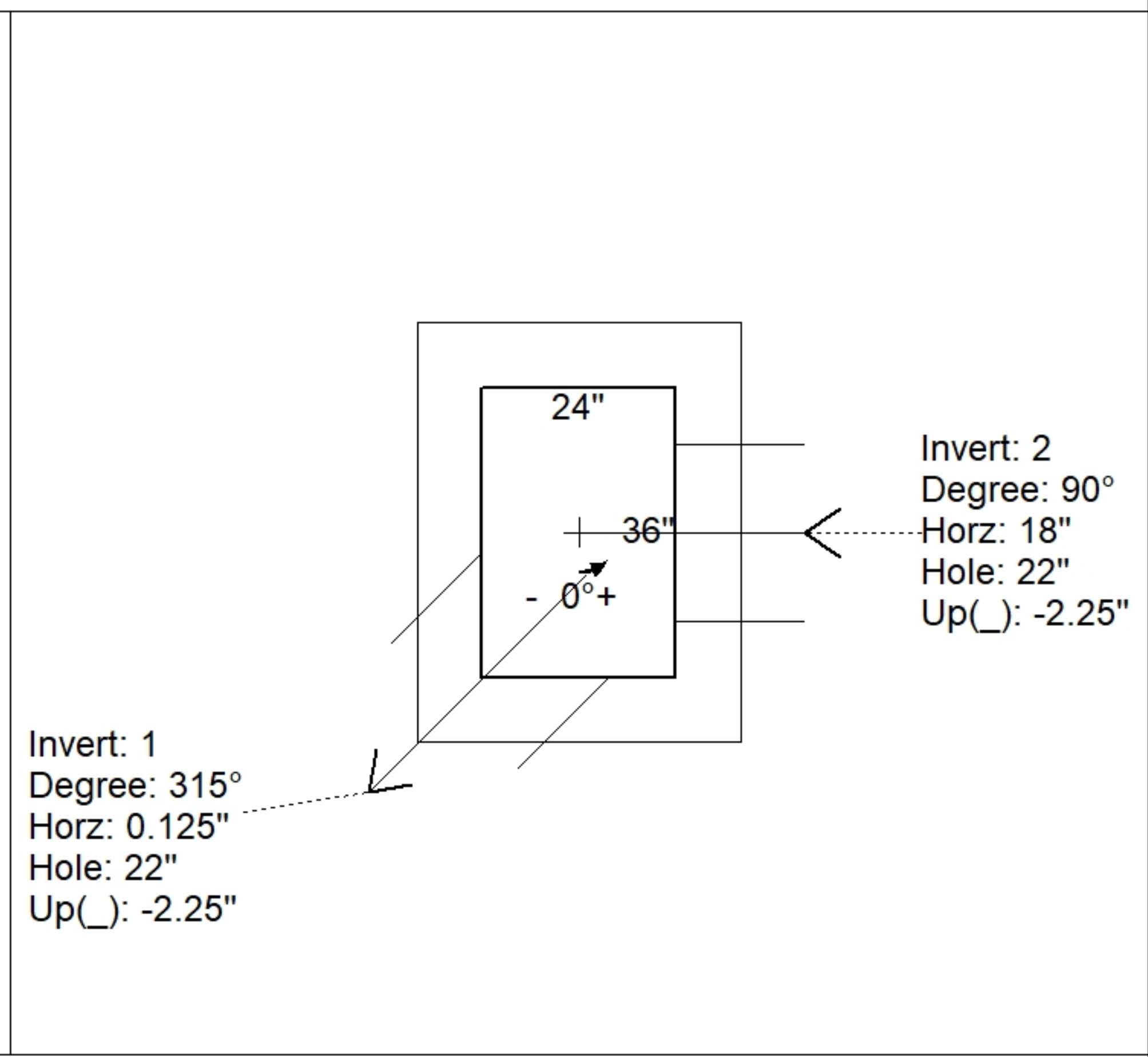
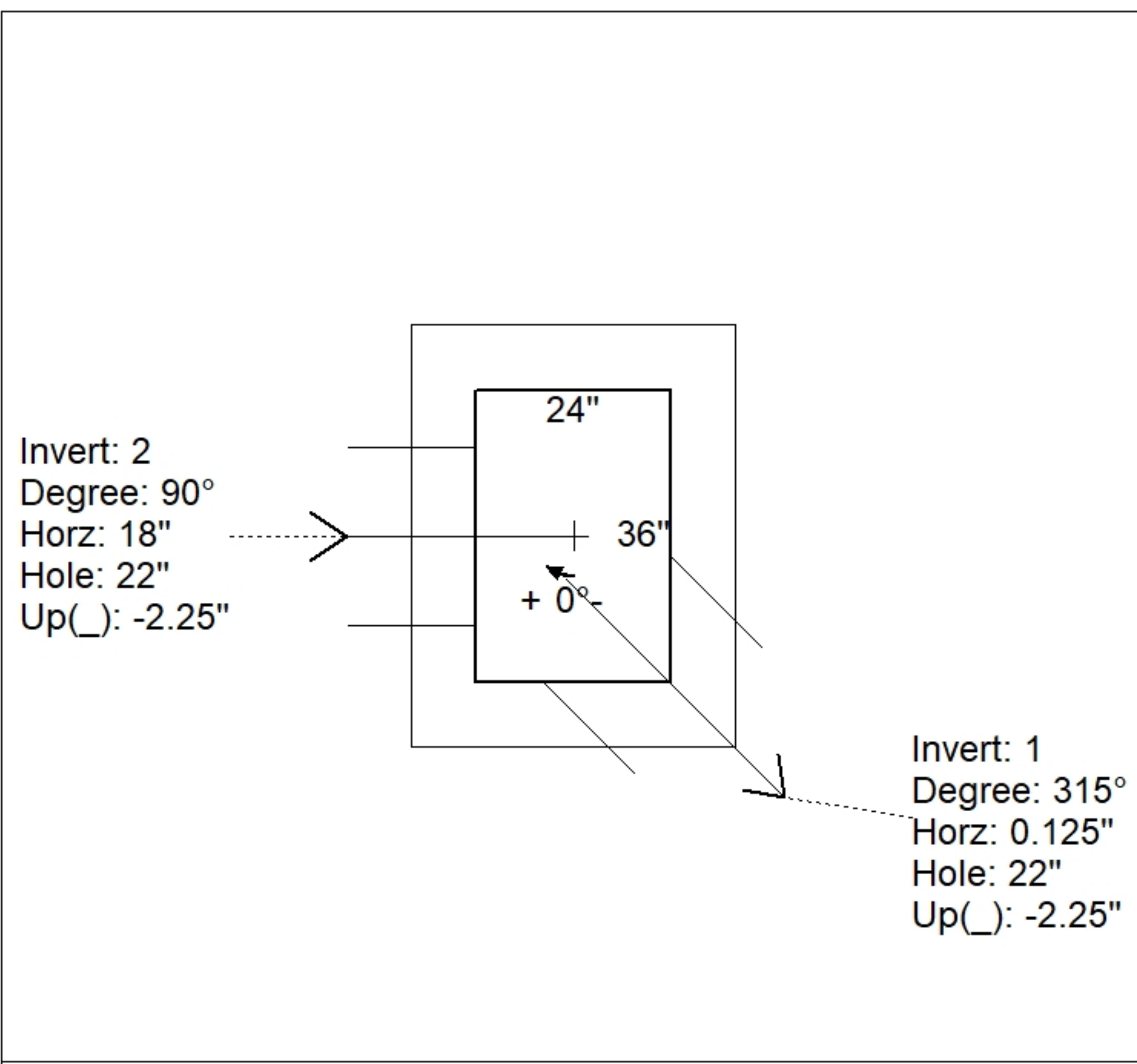
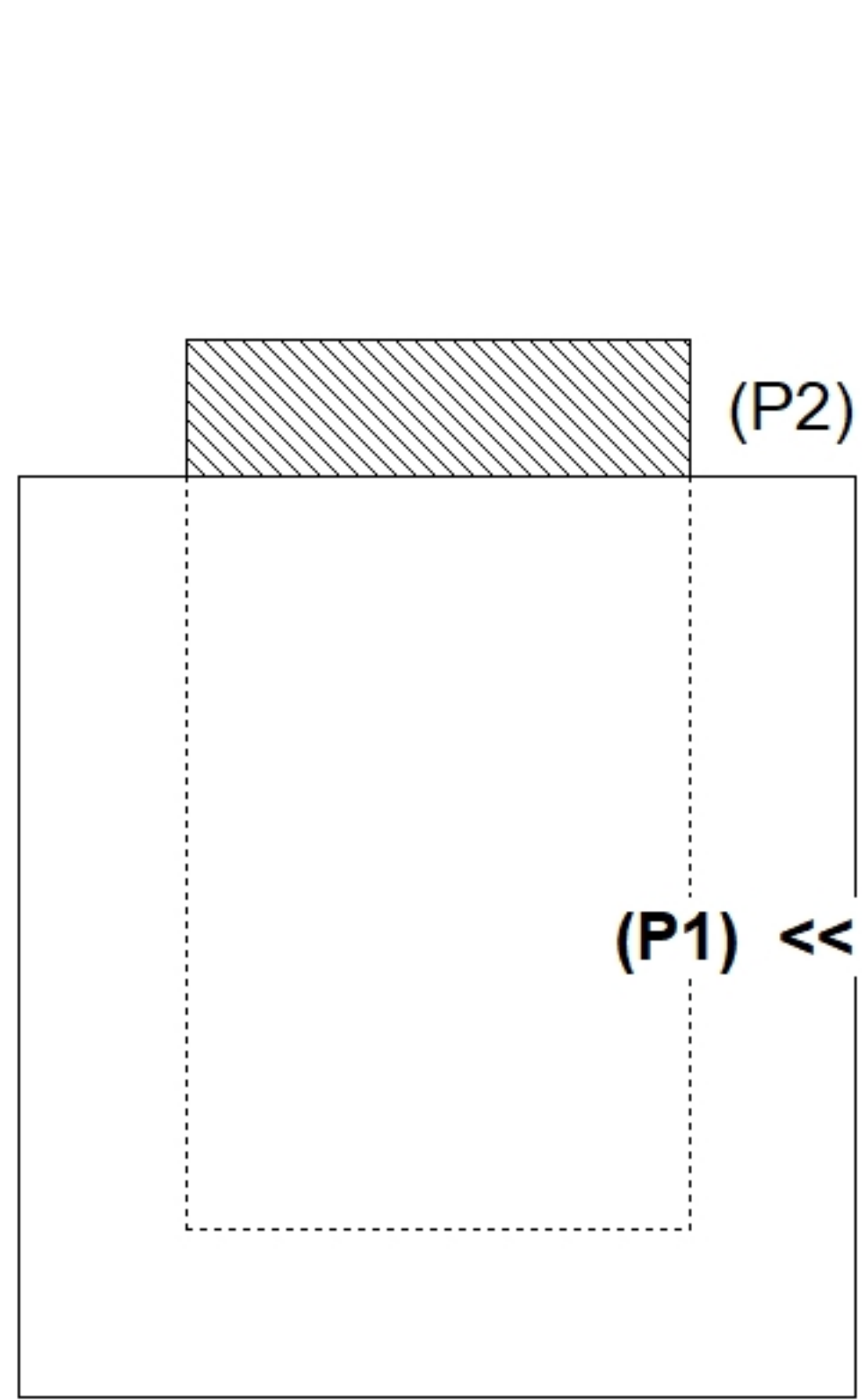
1. PER ASTM C913 SPECIFICATIONS.
2. CONCRETE = 4,000 PSI AT 28 DAYS.
3. NO INVERT CHANNEL.
4. REINFORCING PER ASTM A615 (GRADE 60).
 - WALLS (As .12) #5 BARS AT 12" C.C.E.W.
 - FLOOR (As .12) #5 BARS AT 12" C.C.E.W.
5. CASTING: JBS 3080 F/G/H BY ICAST

Rim: 537.88' Rim to Invert: 3.56' Slack: 0.22" Sump: 0" Step Position:

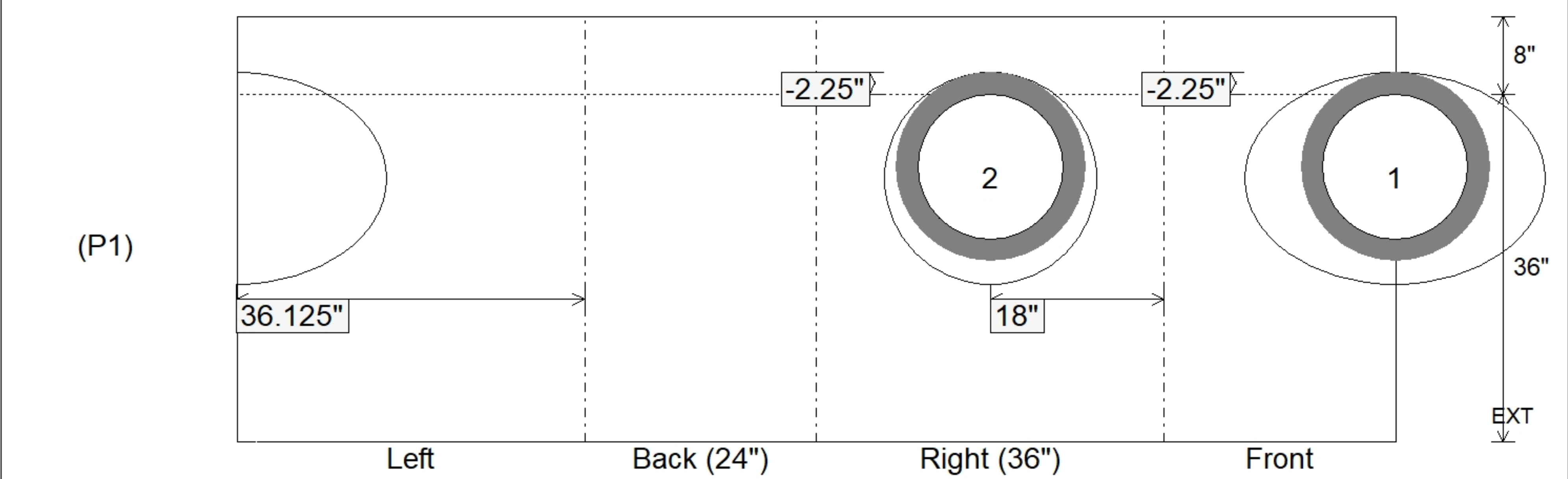
| Position | Elev | Angle | Ext. (cw) | Pipe | Pipe OD | Connector | Hole | Horz Size | Up () | Offset |
|----------|---------|-------|-----------|----------------|---------|-----------|------|------------------|--------|--------|
| Invert 1 | 534.32' | 315° | 0.125" | 15" RCP B WALL | 19.5" | Hole 22 | 22" | 15.637", 15.475" | -2.25" | 4.3" |
| Invert 2 | 534.32' | 90° | 26" | 15" RCP B WALL | 19.5" | Hole 22 | 22" | 22" | -2.25" | 0" |
| Invert 3 | | | | | | | | | | |
| Invert 4 | | | | | | | | | | |
| Invert 5 | | | | | | | | | | |
| Invert 6 | | | | | | | | | | |
| Invert 7 | | | | | | | | | | |
| Invert 8 | | | | | | | | | | |

RIGHT-SIDE UP VIEW (int. dimensions)

UPSIDE-DOWN VIEW (int. dimensions)



INSIDE WALL DIMENSIONS



| | | | | |
|----------------------------------|-------------------------------|--|--|--|
| Coating (Int): Coating (Ext): | Seam Up: Flat Seam Dn: n/a | Wall Thickness: 8" Floor Height: 8" | Height (Int): 36" Height (Ext): 44" | Weight (Net): 4454 lb Volume (Net): 1.14cu.yd |
|----------------------------------|-------------------------------|--|--|--|