

**Job Name: 25-2394 McDonalds 041-1211**  
**Job Location: Clarksville, TN**  
**Contractor: Central Paving Co. of Paducah, Inc.**

PC: Andy Chambers  
 TECH: Evan Niles  
 Plant: Beaver Dam, KY



Structure ID: **SCI-13**  
 Spec: Storm  
 Type: STM.MH (Recessed pipe)  
 Size: 48"

Rim: 537.64'  
 Invert: 534.12'  
 Rim to Invert: 3.52'

Sump: 0"  
 Floor (Top): 534.12'  
 Floor Height: 6"

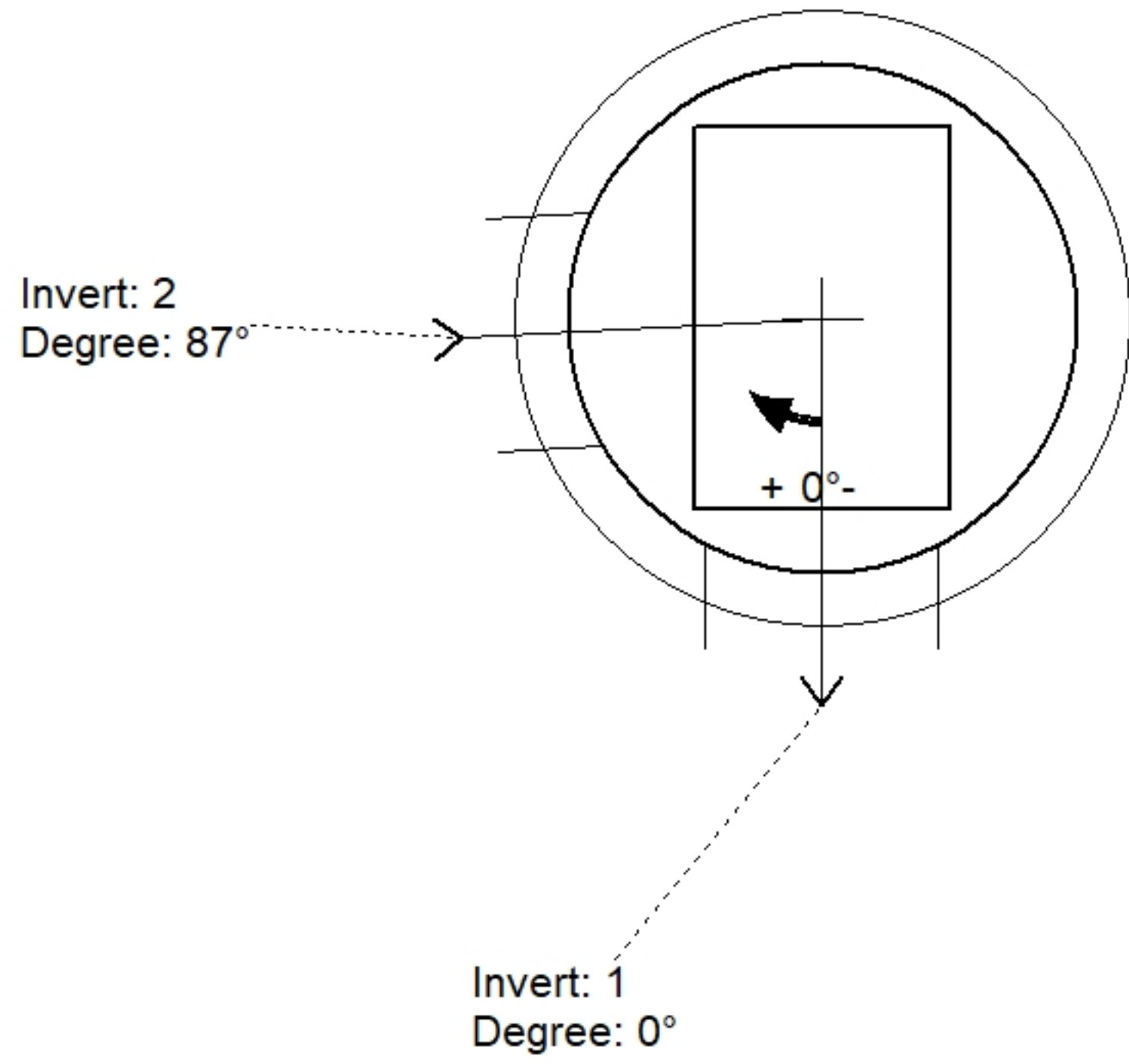
Floor (Bot): 533.62'  
 Overall Height: 3.958'  
 Slack: 0.74"

**Structure Notes:**

- PER ASTM C478 SPECIFICATIONS.
- CONCRETE = 4,000 PSI AT 28 DAYS.
- REINFORCING PER ASTM A615 (GRADE 60).  
 - TOP SLAB (As .62) #5 BARS AT 6" C.C.E.W..  
 - RISER/WALLS (As .12)  
 - FLOOR (As .31) #5 BARS AT 12" C.C.E.W.
- CASTING: JBS 3080 F/G/H BY ICAST

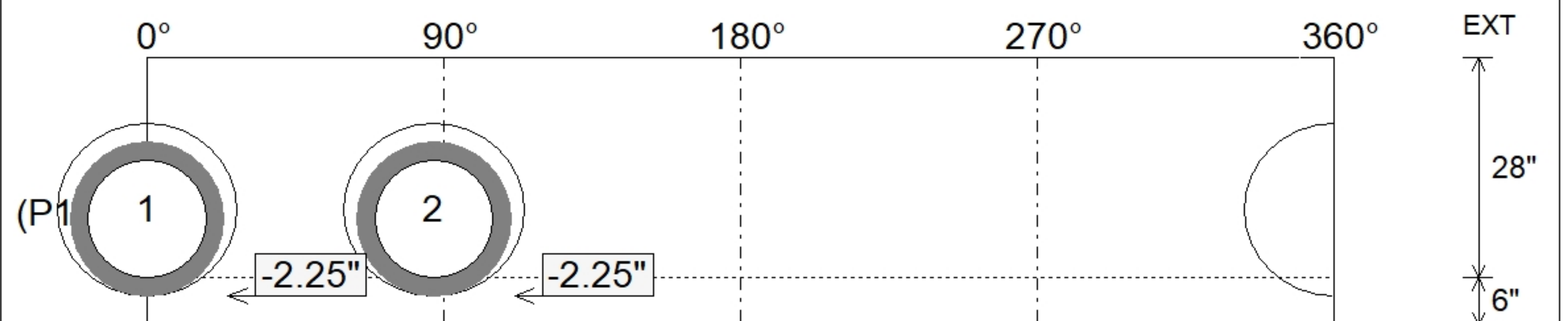
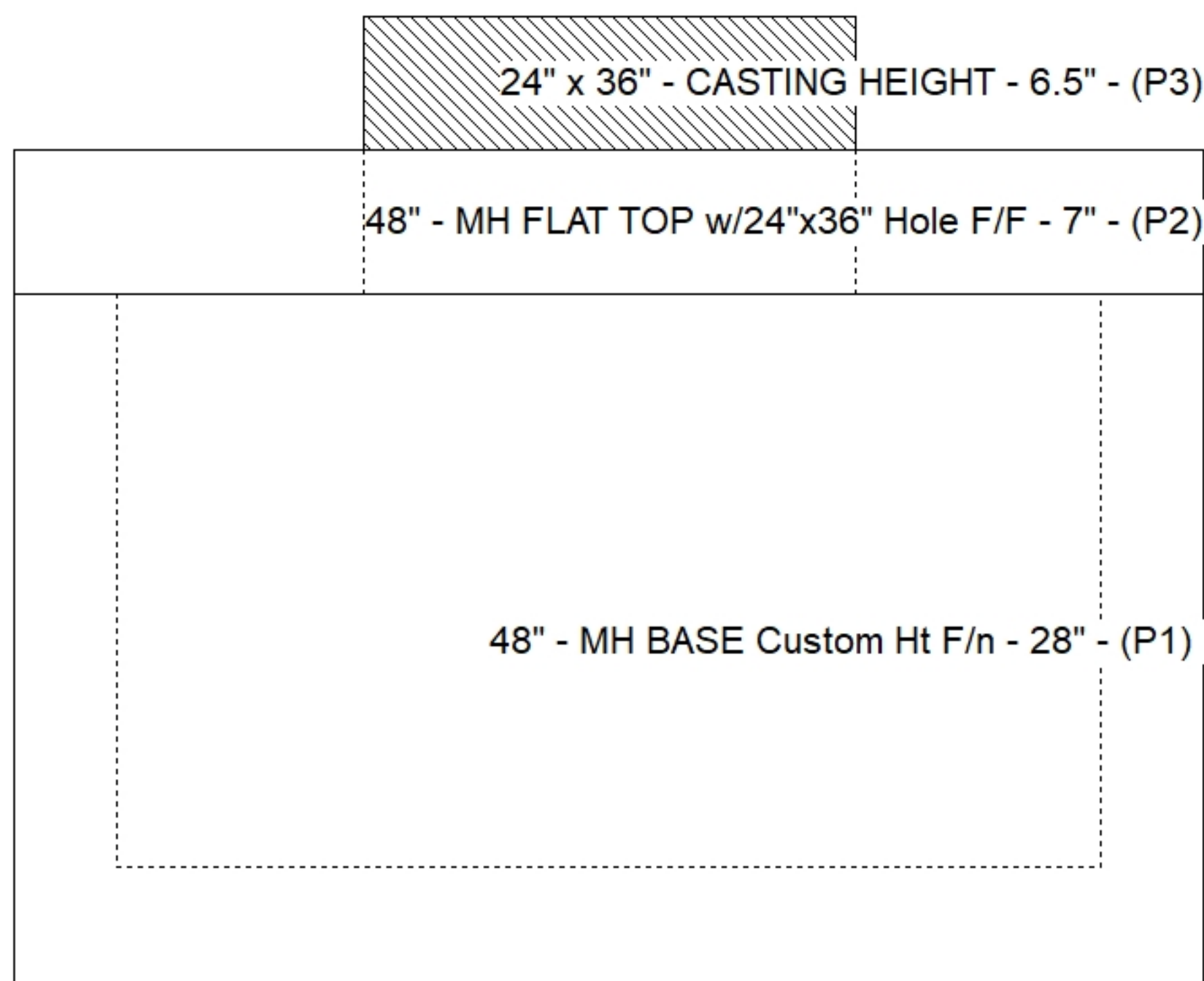
**STRUCTURE SUMMARY:**

|   |                |
|---|----------------|
| P3) 24" x 36" - CASTING HEIGHT - 6.5"         | 0 lb           |
| P2) 48" - MH FLAT TOP w/24"x36" Hole F/F - 7" | 1044 lb        |
| P1) 48" - MH BASE Custom Ht F/n - 28"         | 2692 lb        |
| 1) CASTING - JBS 3080 SET (F/G/H)             | 500 lb         |
| 1) 48" - SGL 1"x14.5' Butyl (2x)              | 0 lb           |
| 2) Hole - 22                                  | 0 lb           |
| <b>Structure Total:</b>                       | <b>4237 lb</b> |



| Position | Elev    | Angle | Pipe           | Pipe OD | Hole | Connector | Up ( ) | Ref |
|----------|---------|-------|----------------|---------|------|-----------|--------|-----|
| Rim      | 537.64' |       |                |         |      |           |        |     |
| Reducer  |         |       |                |         |      |           |        |     |
| Invert 1 | 534.12' | 0°    | 15" RCP B WALL | 19.5"   | 22"  | Hole 22   | -2.25" | P1  |
| Invert 2 | 534.12' | 87°   | 15" RCP B WALL | 19.5"   | 22"  | Hole 22   | -2.25" | P1  |
| Invert 3 |         |       |                |         |      |           |        |     |
| Invert 4 |         |       |                |         |      |           |        |     |
| Invert 5 |         |       |                |         |      |           |        |     |
| Invert 6 |         |       |                |         |      |           |        |     |
| Invert 7 |         |       |                |         |      |           |        |     |
| Invert 8 |         |       |                |         |      |           |        |     |

**Cast (Int. Dim.) - Interior Dimensions**



Submittal Drawing  
 10/13/2025 4:19:40 PM

SUBMITTAL  
 APPROVED BY: