

Job Name: 25-2394 McDonalds 041-1211	Plant: Beaver Dam, KY	Tech: Evan Niles	
Job Location: Clarksville, TN Contractor: Central Paving Co. of Paducah, Inc.	10/13/2025 4:20:51 PM	PC: Andy Chambers	

Structure ID: SCI-13

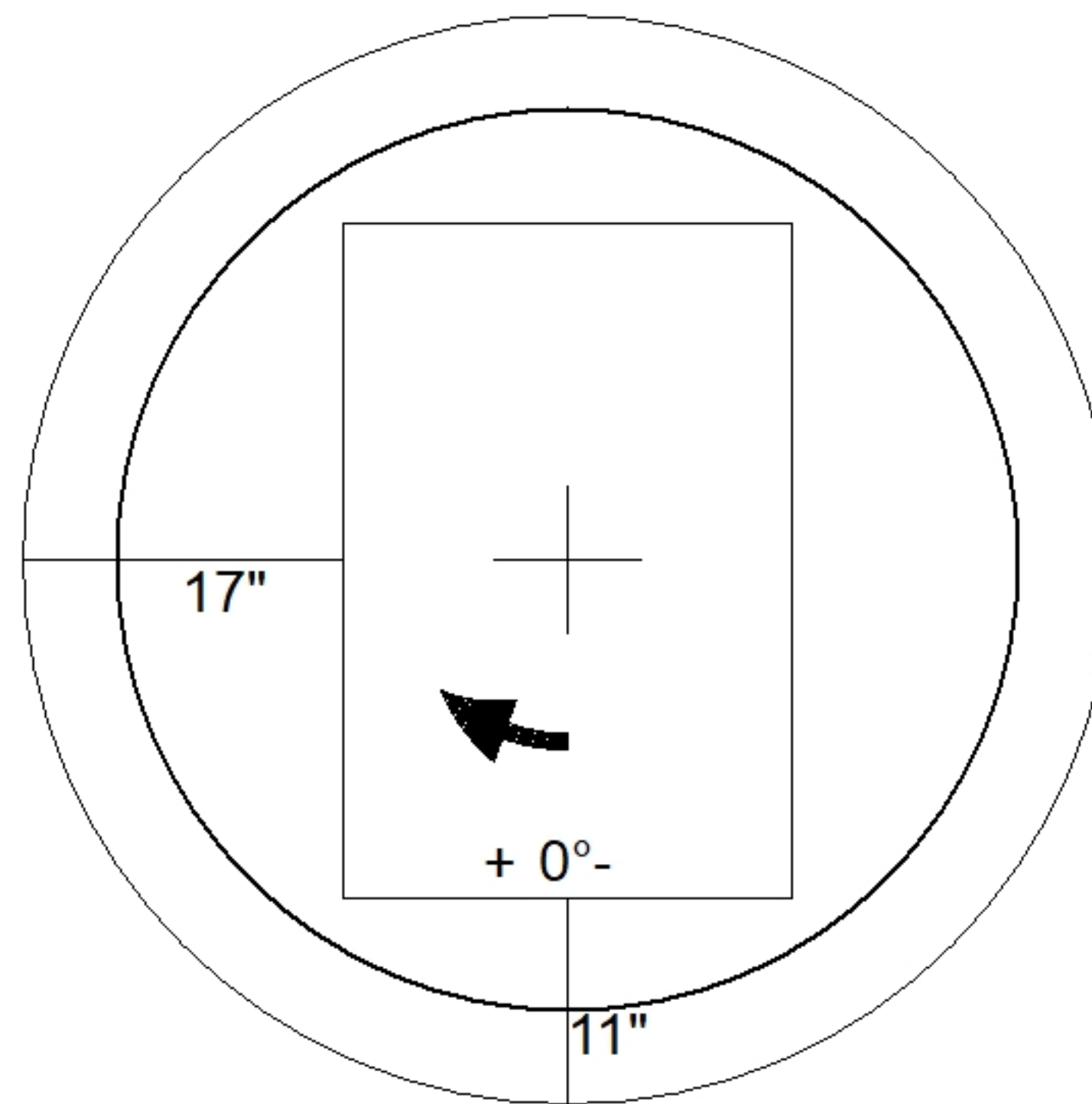
P2 MH048LD07-24X36RECT

MH FLAT TOP w/24"x36" Hole F/F

- P3) 24" x 36" - CASTING HEIGHT - 6.5"
- P2) 48" - MH FLAT TOP w/24"x36" Hole F/F - 7"
- P1) 48" - MH BASE Custom Ht F/n - 28"
- 1) CASTING - JBS 3080 SET (F/G/H)
- 1) 48" - SGL 1"x14.5' Butyl (2x)
- 2) Hole - 22

	0 lb
	1044 lb
	2692 lb
	500 lb
	0 lb
	0 lb
Structure Total:	4237 lb

- Structure Notes:
1. PER ASTM C478 SPECIFICATIONS.
 2. CONCRETE = 4,000 PSI AT 28 DAYS.
 3. REINFORCING PER ASTM A615 (GRADE 60).
 - TOP SLAB (As .62) #5 BARS AT 6" C.C.E.W..
 - RISER/WALLS (As .12)
 - FLOOR (As .31) #5 BARS AT 12" C.C.E.W.
 5. CASTING: JBS 3080 F/G/H BY ICAST



48" - MH FLAT TOP w/24"x36" Hole F/F - 7" - (P2)

Coating (Int): Coating (Ext):	Seam Up: Flat Seam Dn: Flat	Wall Thickness: 5"	Height (Ext): 7"	Weight (Net): 1044 lb Volume (Net): 0.27cu.yd
----------------------------------	--------------------------------	--------------------	------------------	--