

Job Name: 25-2394 McDonalds 041-1211	Plant: Beaver Dam, KY	Tech: Evan Niles	
Job Location: Clarksville, TN Contractor: Central Paving Co. of Paducah, Inc.	10/13/2025 4:20:18 PM	PC: Andy Chambers	

Structure ID: SCI-13

P1 MH048BAVF

MH BASE Custom Ht F/n

P3) 24" x 36" - CASTING HEIGHT - 6.5"	0 lb
P2) 48" - MH FLAT TOP w/24"x36" Hole F/F - 7"	1044 lb
P1) 48" - MH BASE Custom Ht F/n - 28"	2692 lb
1) CASTING - JBS 3080 SET (F/G/H)	500 lb
1) 48" - SGL 1"x14.5' Butyl (2x)	0 lb
2) Hole - 22	0 lb
Structure Total:	4237 lb

Structure Notes:

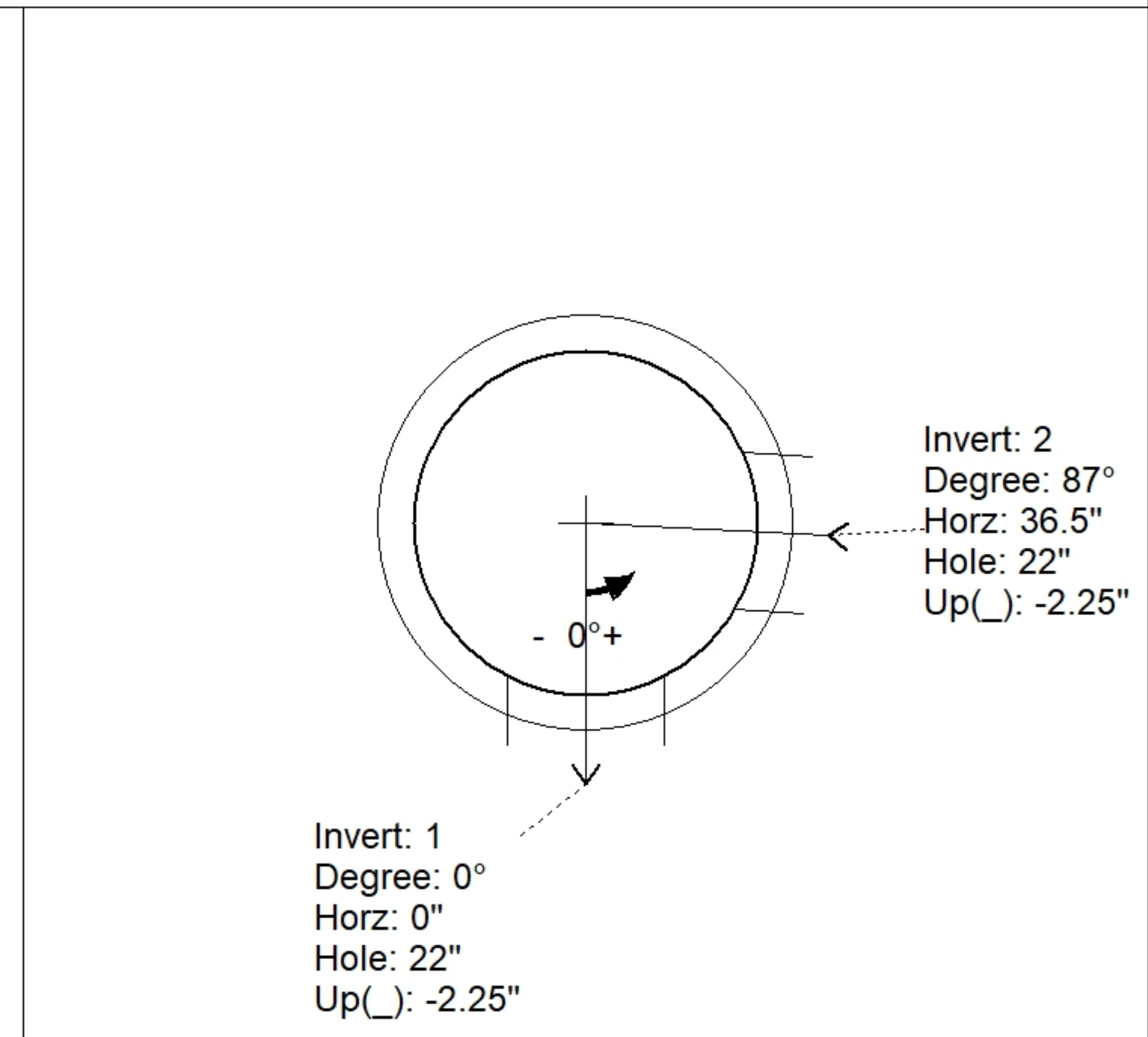
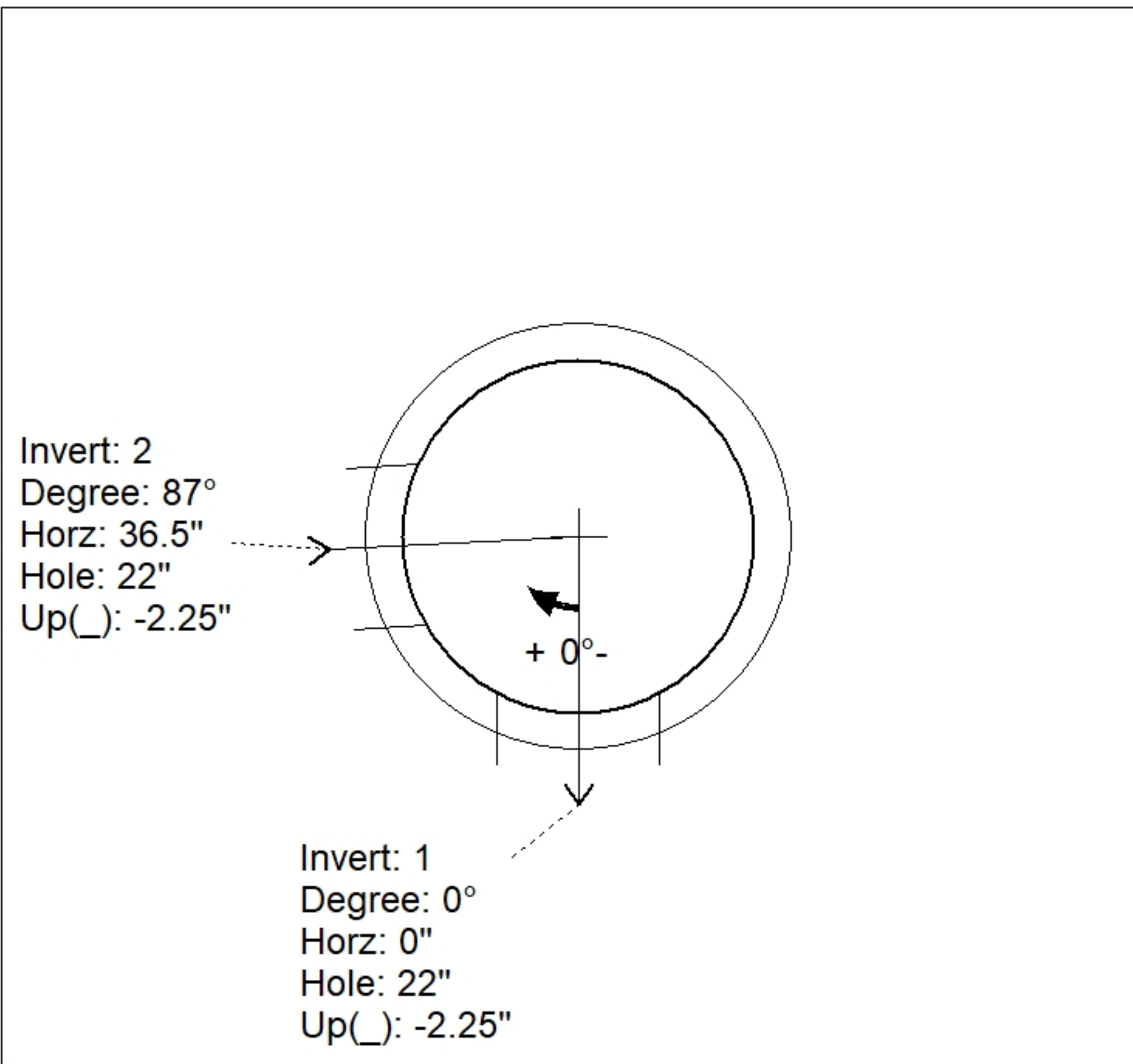
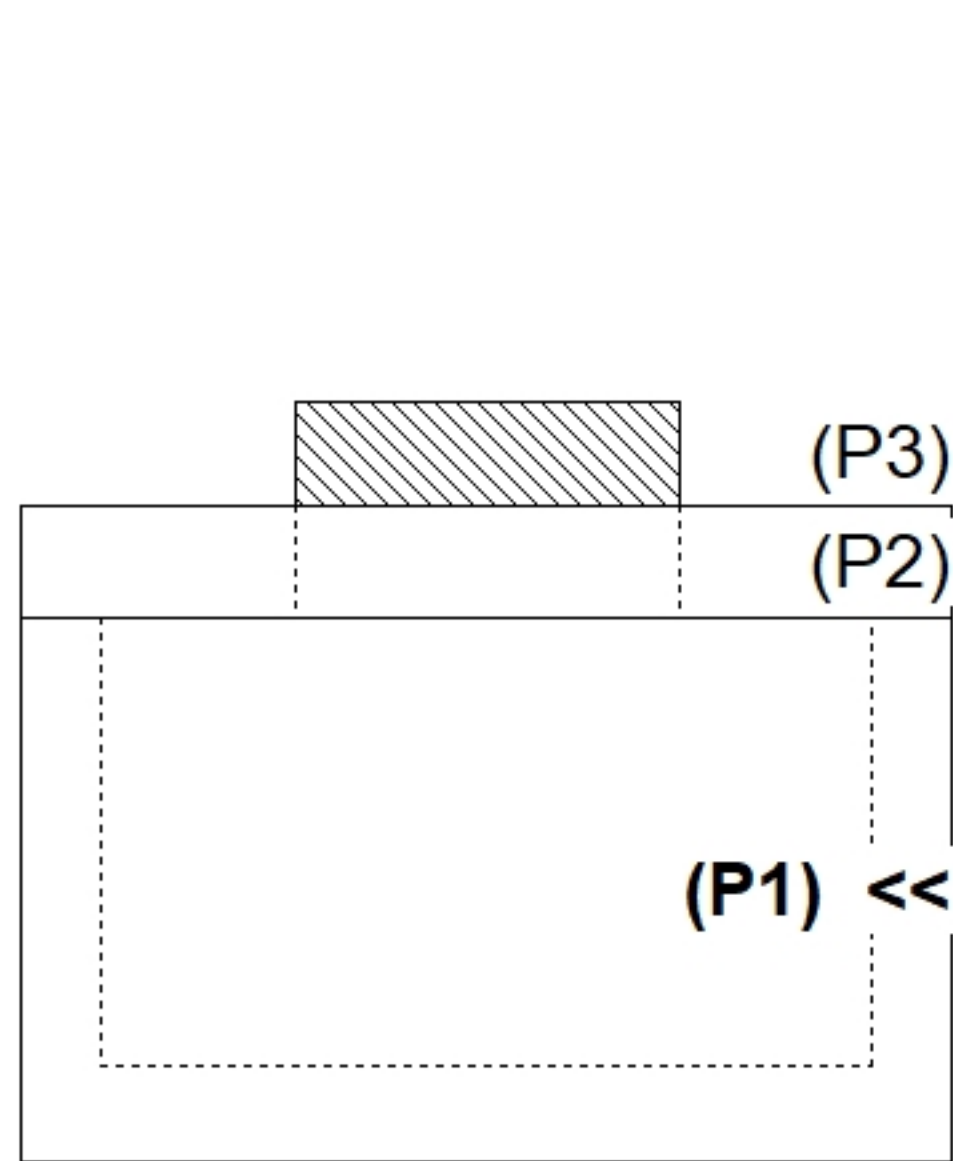
- PER ASTM C478 SPECIFICATIONS.
- CONCRETE = 4,000 PSI AT 28 DAYS.
- REINFORCING PER ASTM A615 (GRADE 60).
 - TOP SLAB (As .62) #5 BARS AT 6" C.C.E.W..
 - RISER/WALLS (As .12)
 - FLOOR (As .31) #5 BARS AT 12" C.C.E.W.
- CASTING: JBS 3080 F/G/H BY ICAST

Rim: 537.64' Rim to Invert: 3.52' Slack: 0.74" Sump: 0" Step Position:

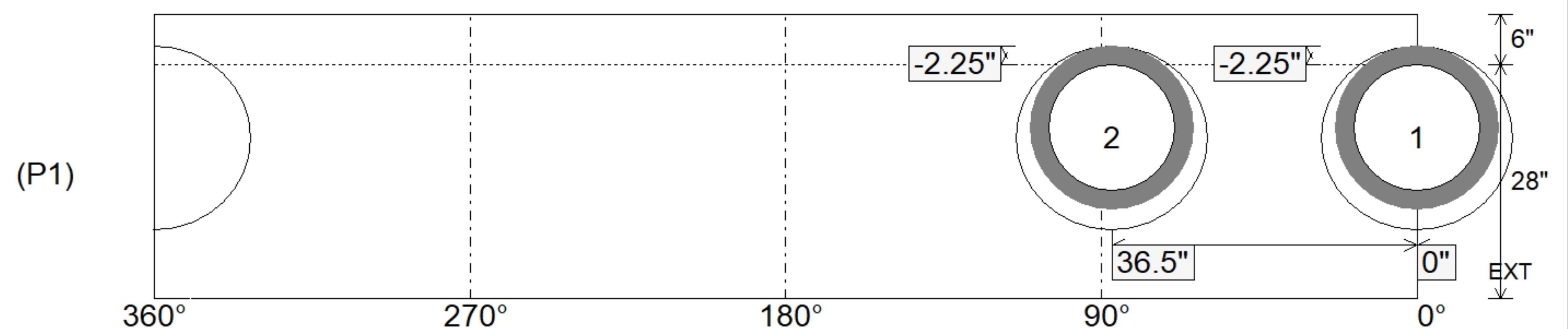
Position	Elev	Angle	Ext. (cw)	Pipe	Pipe OD	Connector	Hole	Horz Size	Up ()	Offset
Invert 1	534.12'	0°	0"	15" RCP B WALL	19.5"	Hole 22	22"	22.854", 22.823"	-2.25"	0"
Invert 2	534.12'	87°	44"	15" RCP B WALL	19.5"	Hole 22	22"	22.854", 16.627"	-2.25"	0"
Invert 3										
Invert 4										
Invert 5										
Invert 6										
Invert 7										
Invert 8										

RIGHT-SIDE UP VIEW (int. dimensions)

UPSIDE-DOWN VIEW (int. dimensions)



INSIDE WALL DIMENSIONS



Coating (Int):	Seam Up: Flat	Wall Thickness: 5"	Height (Int): 28"	Weight (Net): 2692 lb
Coating (Ext):	Seam Dn: n/a	Floor Height: 6"	Height (Ext): 34"	Volume (Net): 0.69cu.yd