

Job Name: 25-2394 McDonalds 041-1211
Job Location: Clarksville, TN
Contractor: Central Paving Co. of Paducah, Inc.

PC: Andy Chambers
 TECH: Evan Niles
 Plant: Beaver Dam, KY



Structure ID: **SCI-08**

Spec: Storm
 Type: BX 8inW, 8inF
 Size: 24" x 36"

Rim: 537.55'
 Invert: 534.31'
 Rim to Invert: 3.24'

Sump: 0"
 Floor (Top): 534.31'
 Floor Height: 8"

Floor (Bot): 533.643'
 Overall Height: 3.875'
 Slack: 0.38"

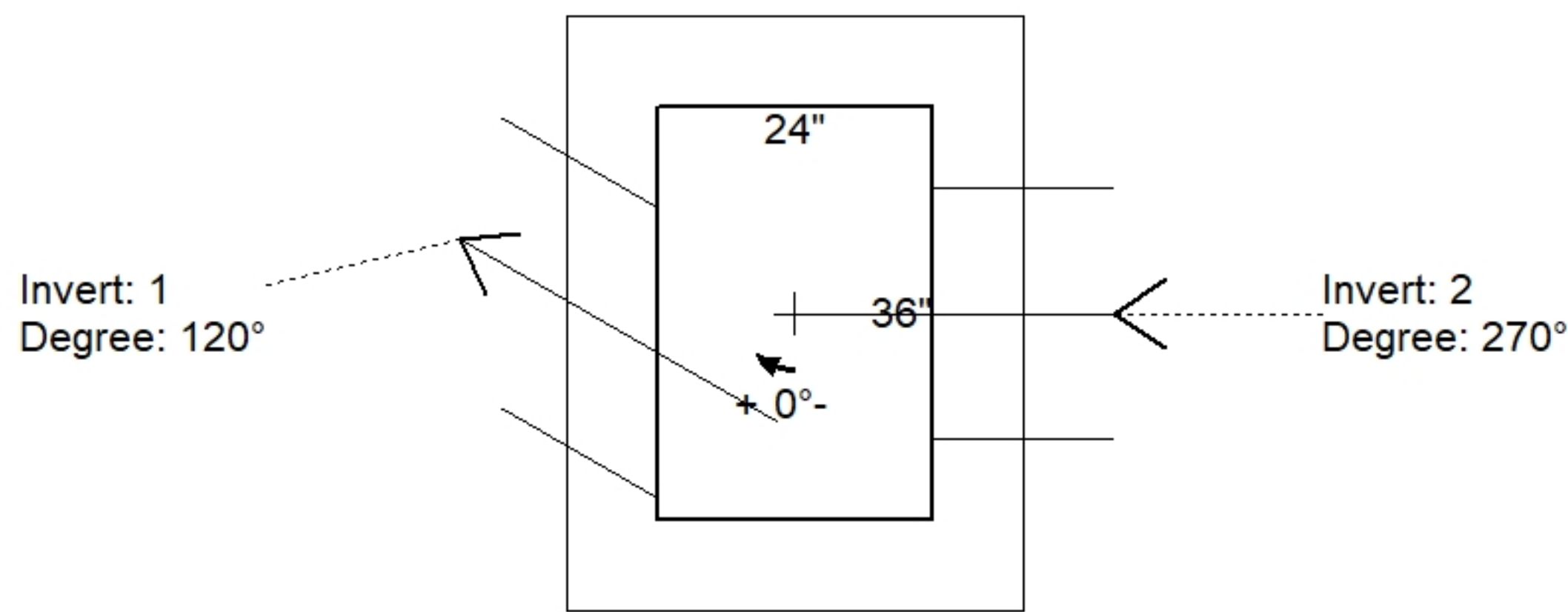
Structure Notes:

1. PER ASTM C913 SPECIFICATIONS.
2. CONCRETE = 4,000 PSI AT 28 DAYS.
3. NO INVERT CHANNEL.
4. REINFORCING PER ASTM A615 (GRADE 60).
 - WALLS (As .12) #5 BARS AT 12" C.C.E.W.
 - FLOOR (As .12) #5 BARS AT 12" C.C.E.W.
5. CASTING: JBS 3080 F/G/H BY ICAST

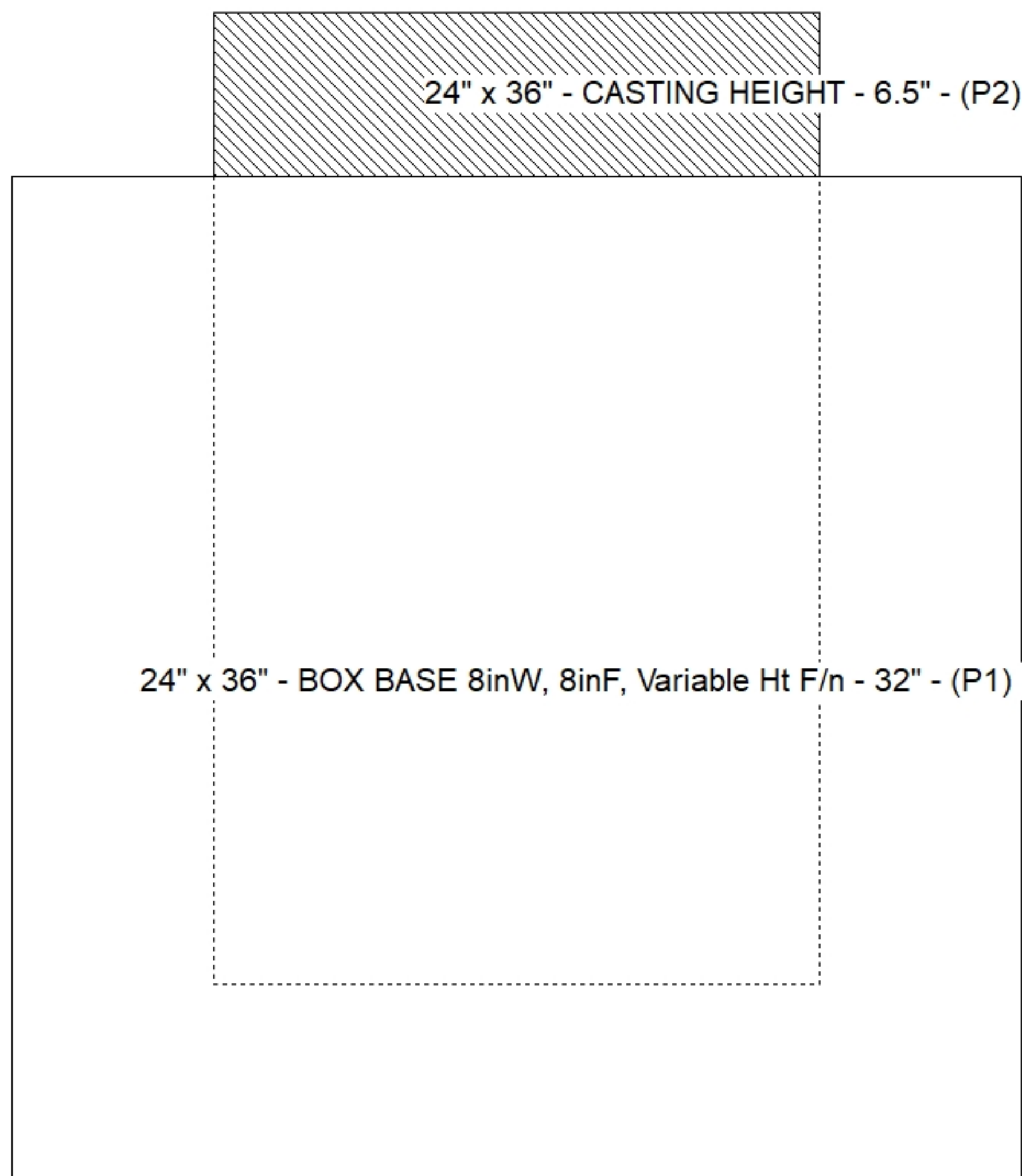
STRUCTURE SUMMARY:

P2) 24" x 36" - CASTING HEIGHT - 6.5"	0 lb
P1) 24" x 36" - BOX BASE 8inW, 8inF, Variable Ht F/n - 32"	4112 lb
1) CASTING - JBS 3080 SET (F/G/H)	500 lb
1) 24" x 36" - SGL 1"x14.5' Butyl	0 lb
2) Hole - 22"	0 lb

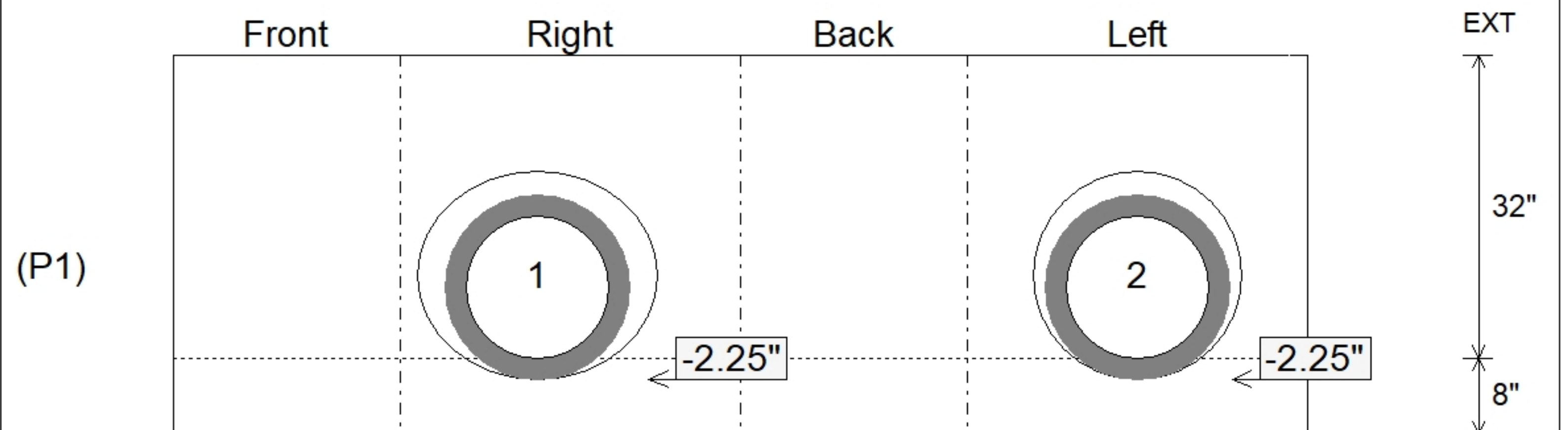
Structure Total:	4612 lb



Position	Elev	Angle	Pipe	Pipe OD	Hole	Connector	Up (L)	Ref
Rim	537.55'							
Reducer								
Invert 1	534.31'	120°	15" RCP B WALL	19.5"	22"	Hole 22	-2.25"	P1
Invert 2	534.31'	270°	15" RCP B WALL	19.5"	22"	Hole 22	-2.25"	P1
Invert 3								
Invert 4								
Invert 5								
Invert 6								
Invert 7								
Invert 8								



Cast (Int. Dim.) - Interior Dimensions



Submittal Drawing
 10/13/2025 4:19:42 PM

SUBMITTAL
 APPROVED BY: