

Job Name: 25-2394 McDonalds 041-1211	Plant: Beaver Dam, KY	Tech: Evan Niles	
Job Location: Clarksville, TN	10/13/2025 4:20:21 PM	PC: Andy Chambers	
Contractor: Central Paving Co. of Paducah, Inc.			

Structure ID: SCI-07

P1 BX2436-08BVF

BOX BASE 8inW, 8inF, Variable Ht F/n

P2) 24" x 36" - CASTING HEIGHT - 6.5"	0 lb
P1) 24" x 36" - BOX BASE 8inW, 8inF, Variable Ht F/n - 33"	4508 lb
1) CASTING - JBS 3080 SET (F/G/H)	500 lb
1) 24" x 36" - SGL 1"x14.5' Butyl	0 lb
1) Hole - 22	0 lb
Structure Total:	5008 lb

Structure Notes:

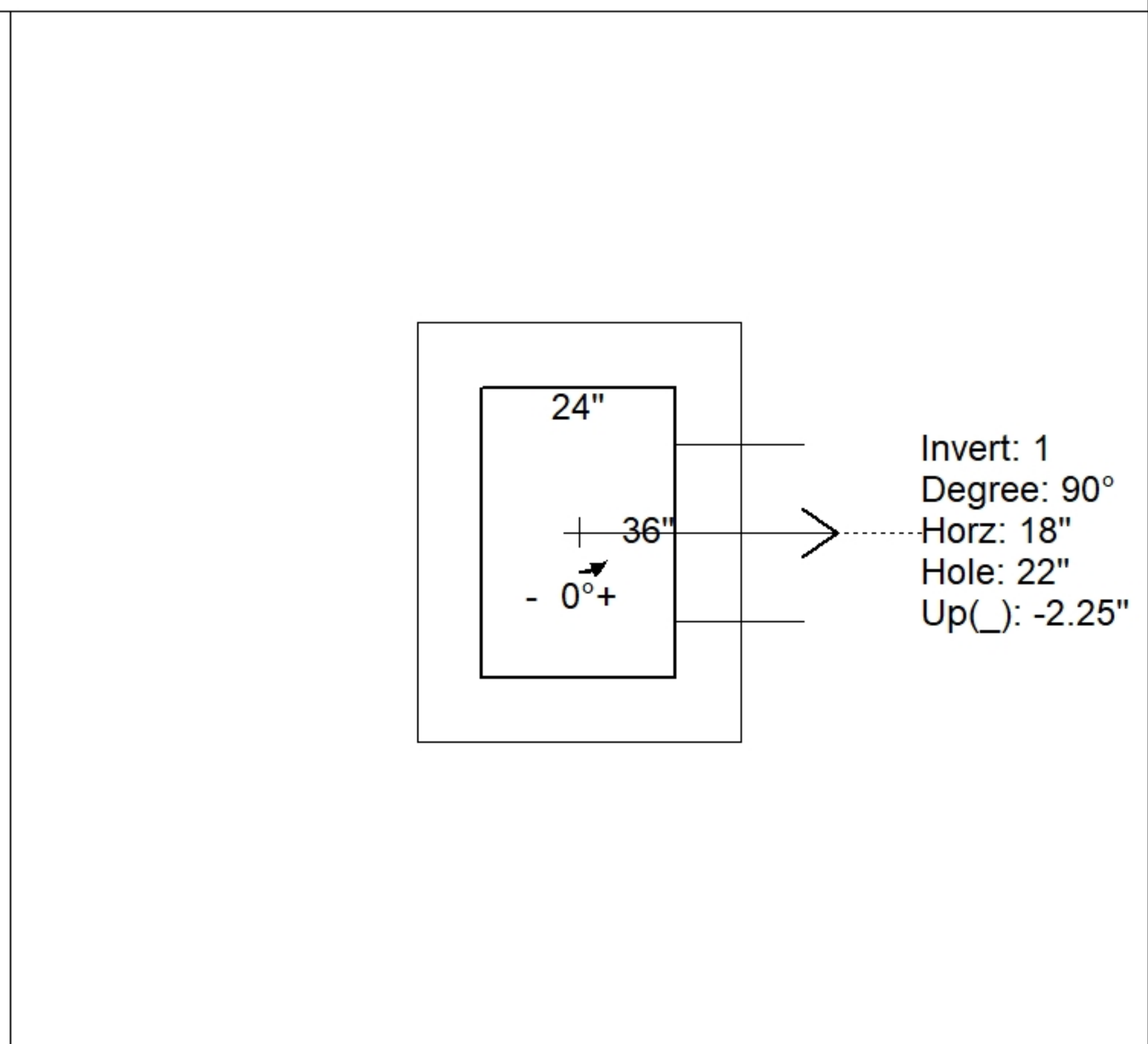
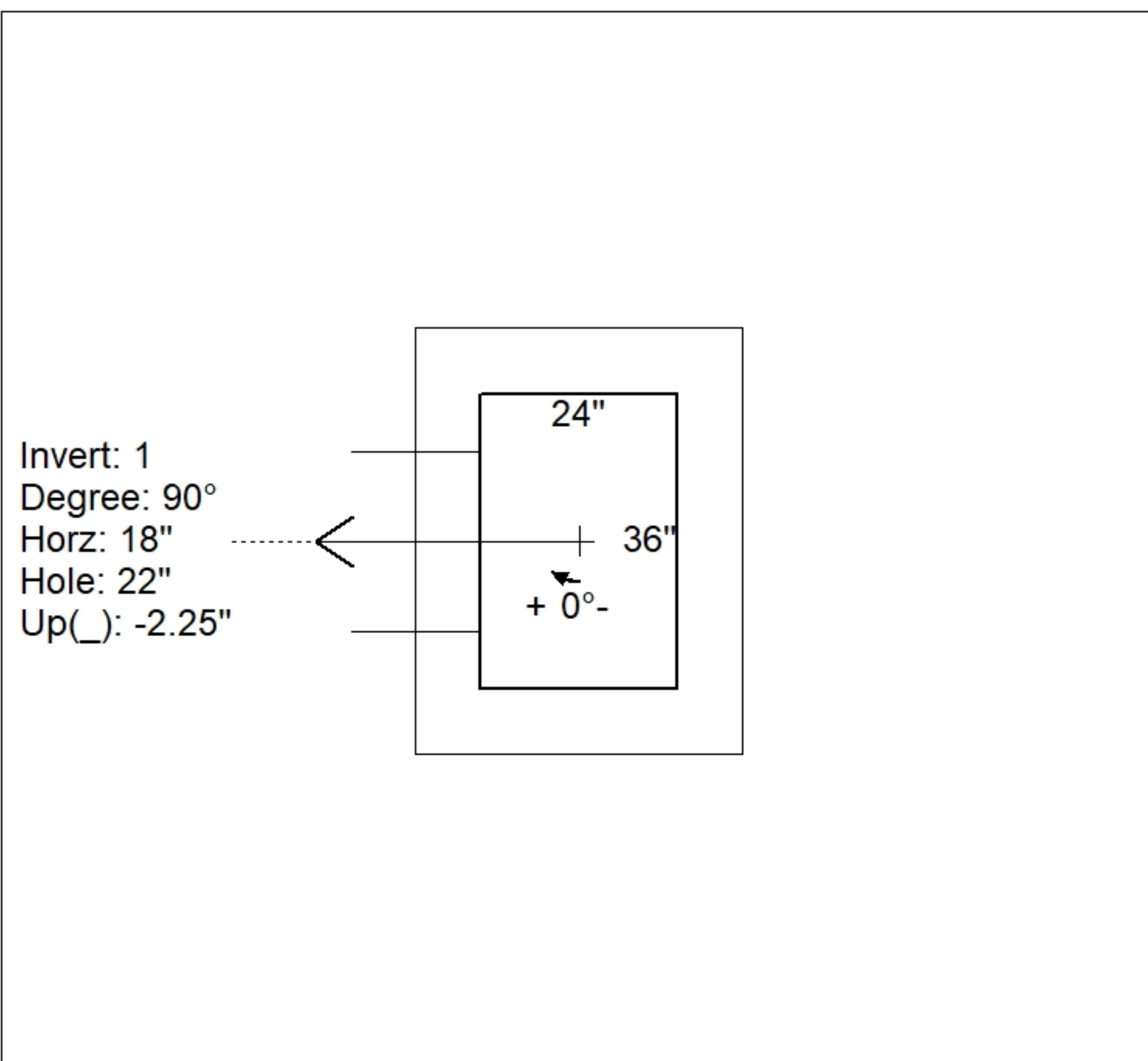
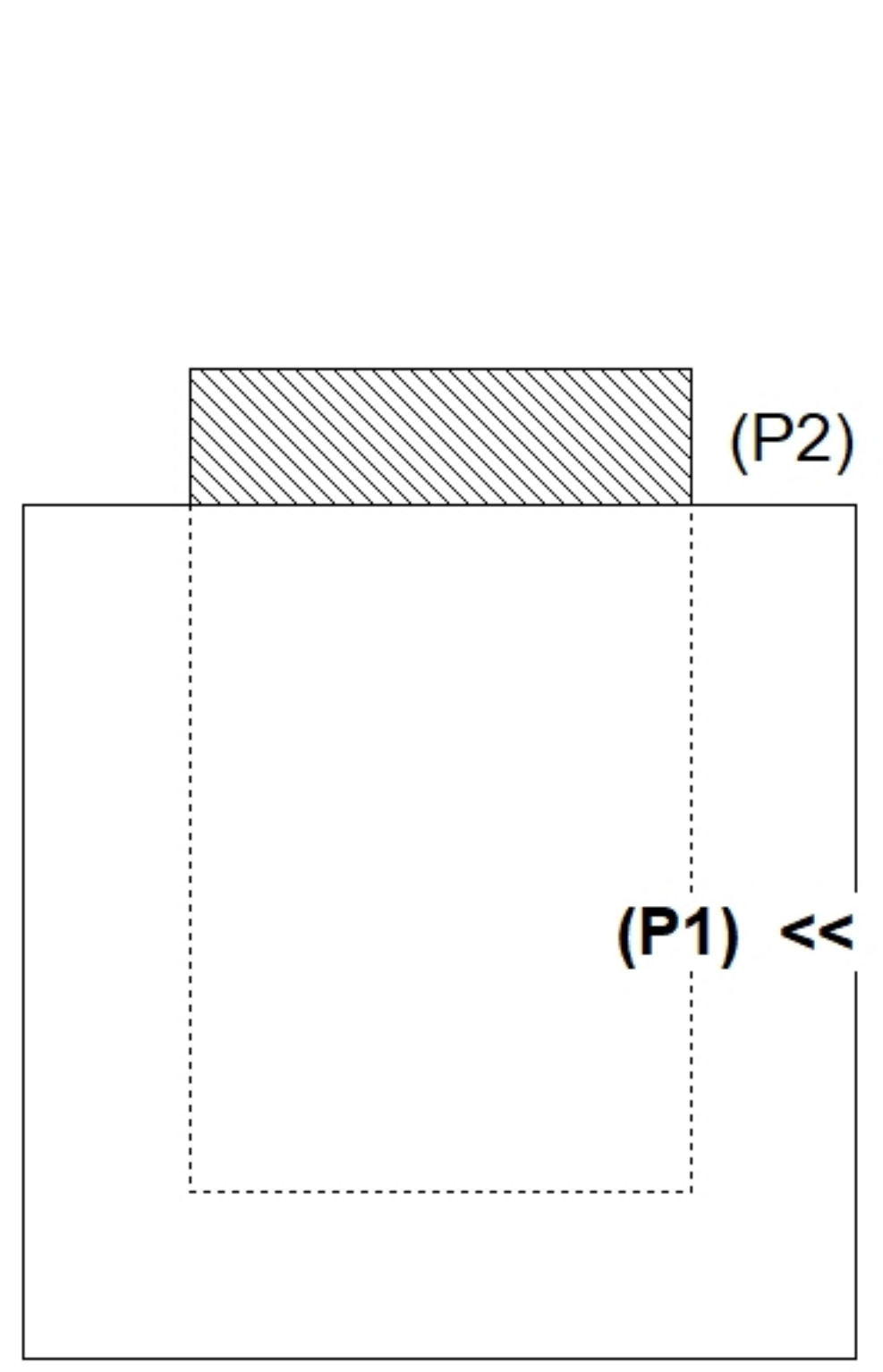
- PER ASTM C913 SPECIFICATIONS.
- CONCRETE = 4,000 PSI AT 28 DAYS.
- NO INVERT CHANNEL.
- REINFORCING PER ASTM A615 (GRADE 60).
- WALLS (As .12) #5 BARS AT 12" C.C.E.W.
- FLOOR (As .12) #5 BARS AT 12" C.C.E.W.
- CASTING: JBS 3080 F/G/H BY ICAST

Rim: 537.7' Rim to Invert: 3.3' Slack: 0.1" Sump: 0" Step Position:

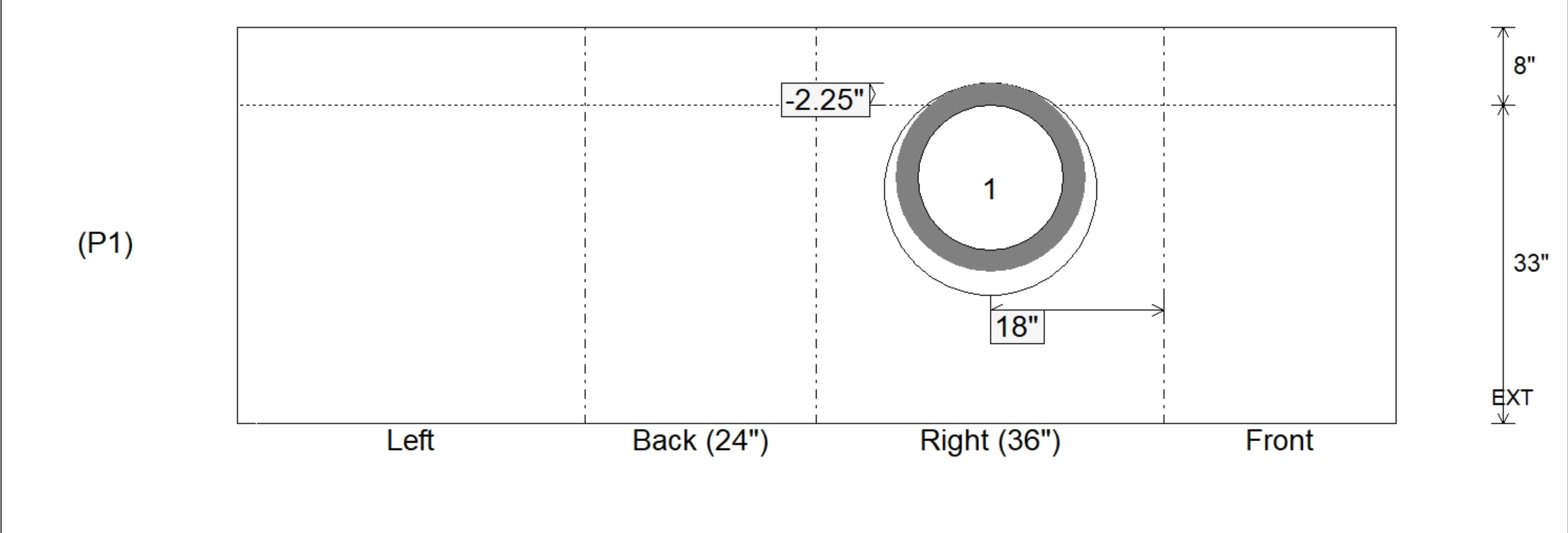
Position	Elev	Angle	Ext. (cw)	Pipe	Pipe OD	Connector	Hole	Horz Size	Up ()	Offset
Invert 1	534.4'	90°	26"	15" RCP B WALL	19.5"	Hole 22	22"	22"	-2.25"	0"
Invert 2										
Invert 3										
Invert 4										
Invert 5										
Invert 6										
Invert 7										
Invert 8										

RIGHT-SIDE UP VIEW (int. dimensions)

UPSIDE-DOWN VIEW (int. dimensions)



INSIDE WALL DIMENSIONS



Coating (Int):	Seam Up: Flat	Wall Thickness: 8"	Height (Int): 33"	Weight (Net): 4508 lb Volume (Net): 1.15cu.yd
Coating (Ext):	Seam Dn: n/a	Floor Height: 8"	Height (Ext): 41"	